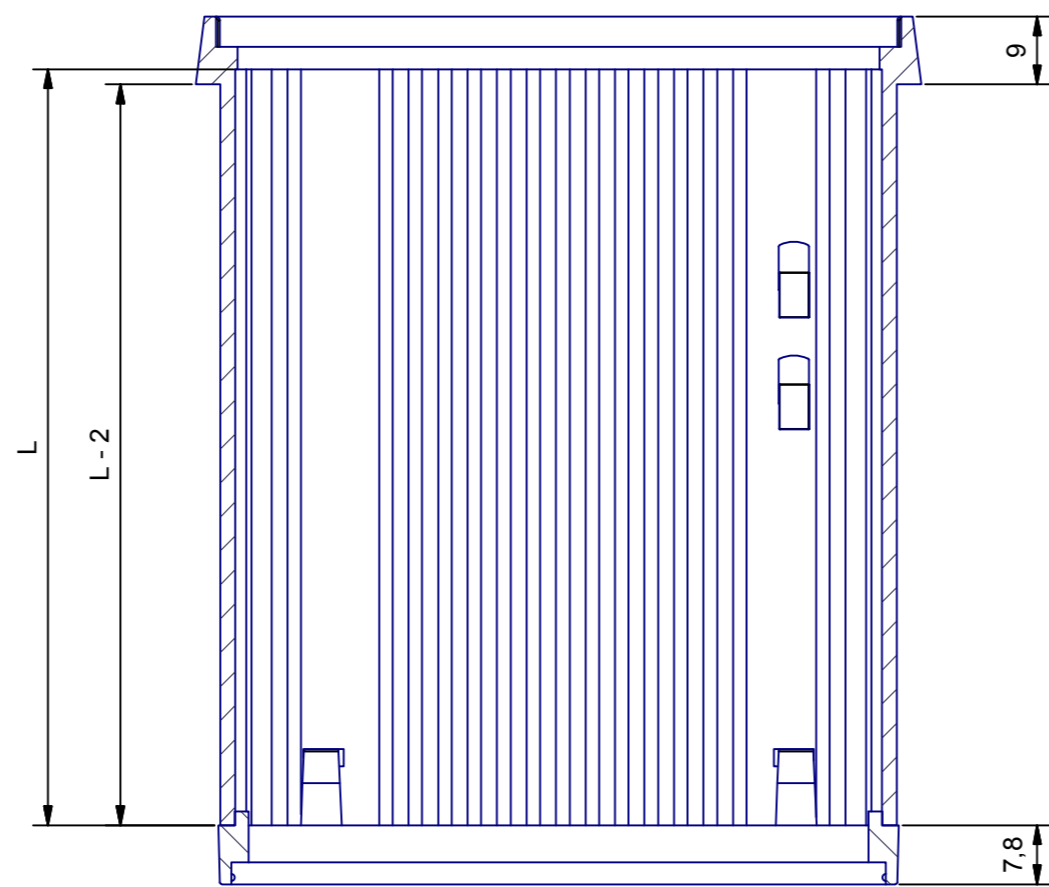



A-A (1:1)



VERSIONS	L
96X96 L57	57 mm
96X96 L75	75 mm
96X96 L100	100 mm
96X96 L124	124 mm
96X96 LXXX	159 mm Max
96X96 L179	179 mm

COMPONENTS LIST				
RIF.	Q.TY	DESCRIPTION	CODE	
1	1	Corpo cont. 96x96 MS2 - Body enclosure 86x86 MS2	I-00228	
2	1	Cornice posteriore 96x96 - Rear frame 96x96	I-00217	
3	2	Agganci in plastica INCABOX - Plastic fixing INCABOX	I-00769	
Da 0,5 a 3				
Oltre 3 fino a 6				
Oltre 6 fino a 30				
Oltre 30 fino a 120				
Oltre 120				
± 0,1		± 0,1		± 0,5

RESERVED PROPERTY The present drawing cannot be reproduced or communicated to 3d parties, even partially, without the authorization of ITALTRONIC Srl. Italtronic reserves to protect its own rights according to the law.	Dimension in mm	SHEET NR. 1 / 1	DRAWING BY  Manual modification are not allowed	GENERAL TOLERANCE UNI EN 22768/1 Media (m)	5 4 3 2 1
Drawn: Rigato N.	Checked: Dalla Montà D.	Scale:		Revision description	

 <p>UN PARTNER PER IL FUTURO</p>	Denomination:
	<p>Contenitore completo INCABOX 96x96 MS2</p> <p>Complete enclosure INCABOX 96x96 MS2</p>
 <p>VIA AUSTRIA 25/D 35127 PADOVA - ITALY www.italtronic.com</p>	<p>Drawing nr.</p> <p>I-04566-00</p>