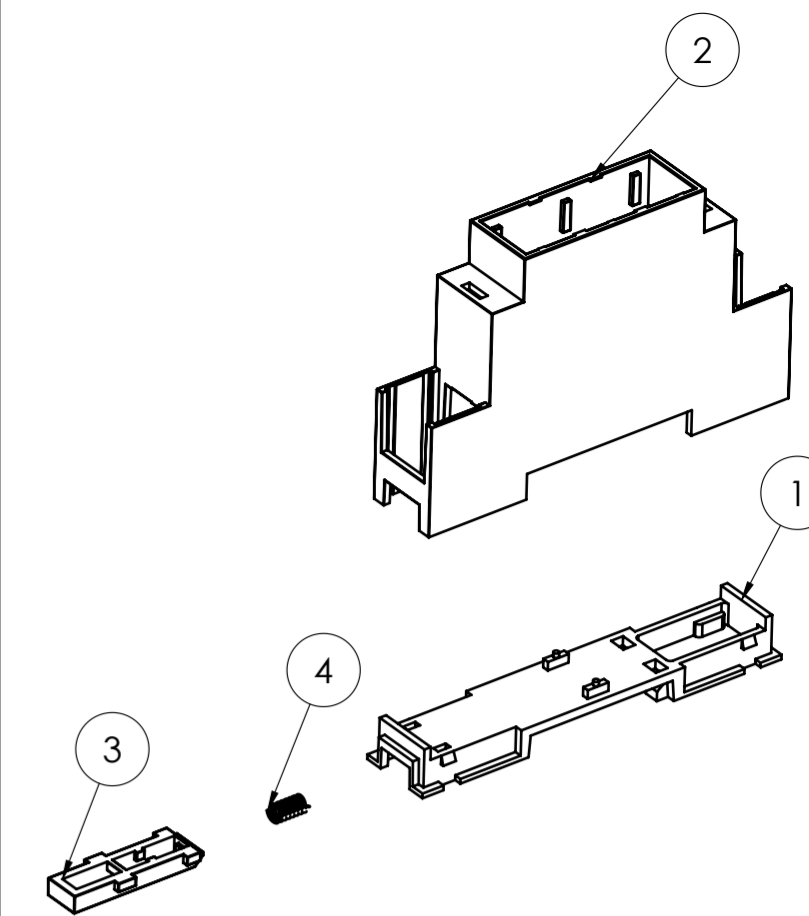
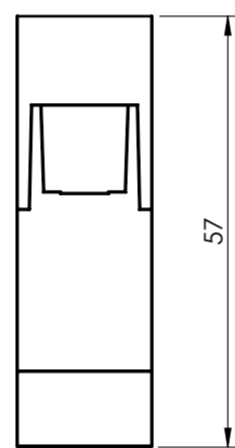
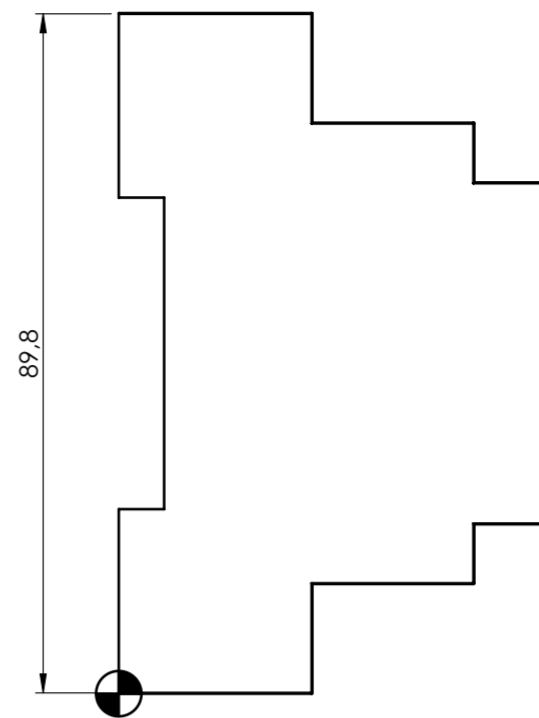
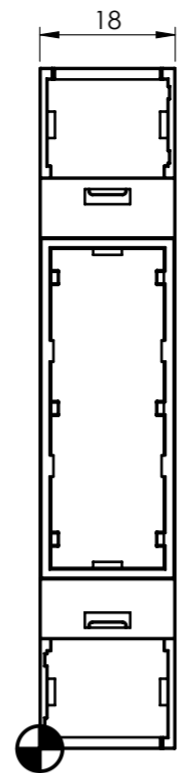
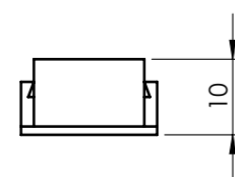
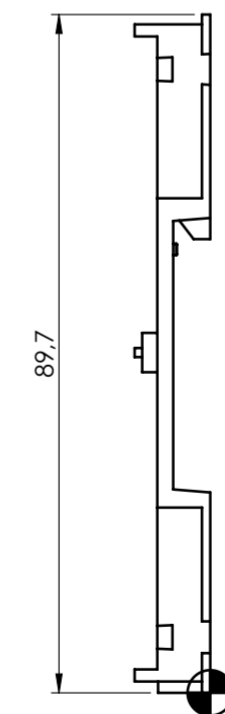
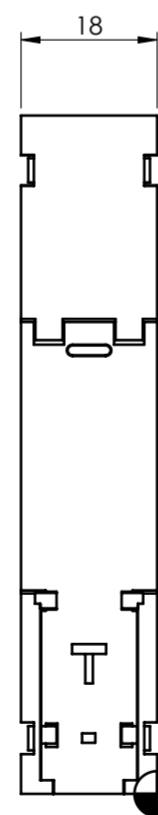


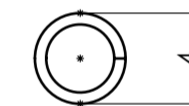
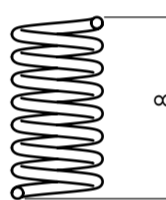
BODY ENCLOSURE



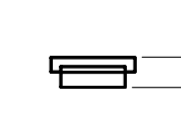
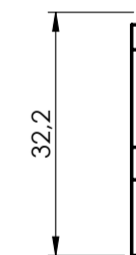
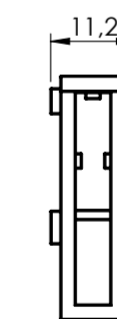
BASE



SPRING



HOOK



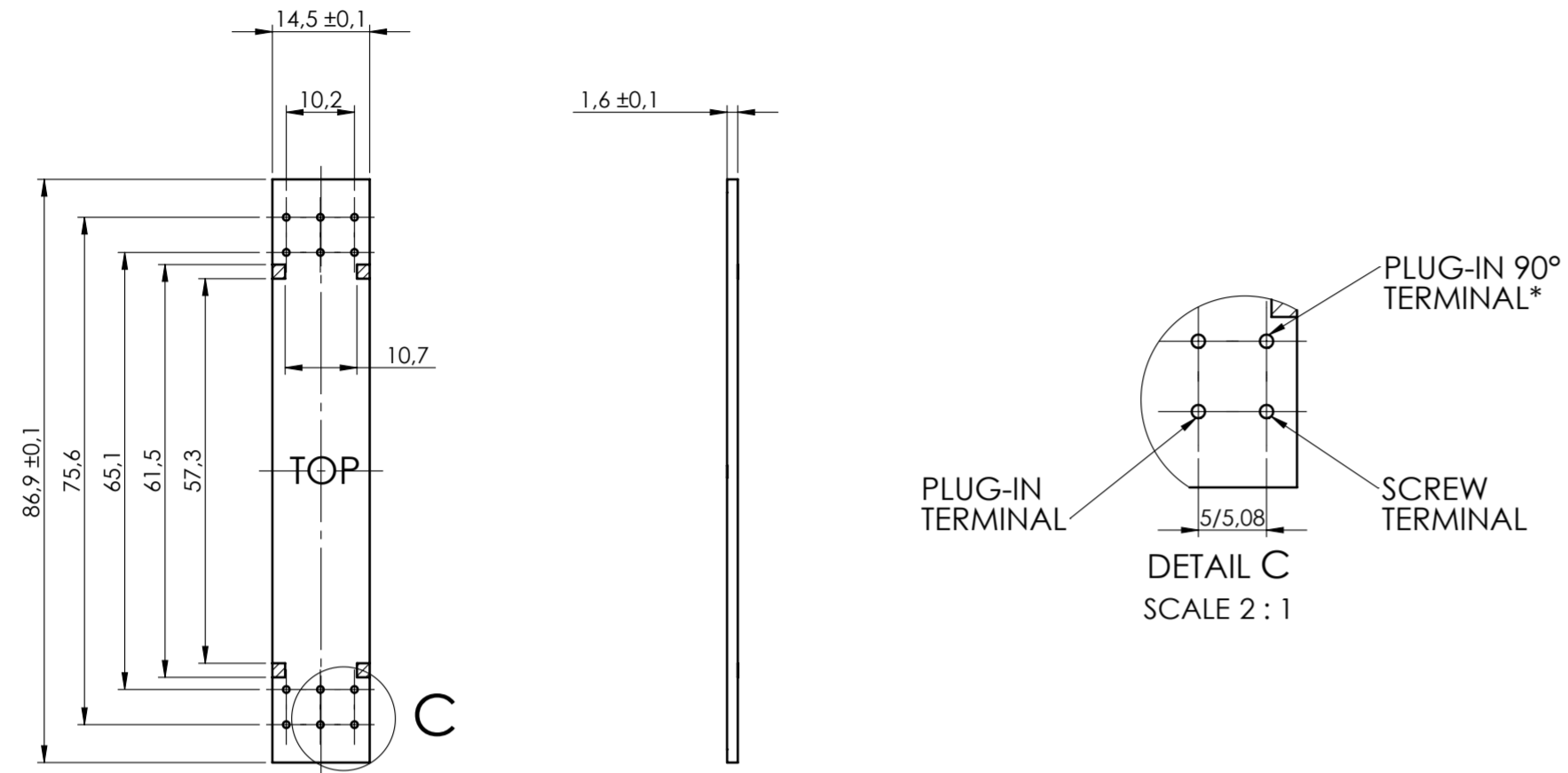
General information:
 - Workpiece zero point for mechanical processing
 - Minimum recommended radius for machining = R1.0 mm
 - Mounting rail like EN 60715: TH 35-7.5 or TH 35-15
 - Recommended PCB outline on www.italtronic.com

RIF.	Q.TY	DRAWING	DESCRIPTION
1	1	2_250_00101	BASE MODULBOX ONE 1M
2	1	2_250_03818	BODY ENCLOSURE MODULBOX ONE 1MH53
3	1	2_250_03817	HOOK MODULBOX ONE 1M
4	1	2_250_03820	SPRING

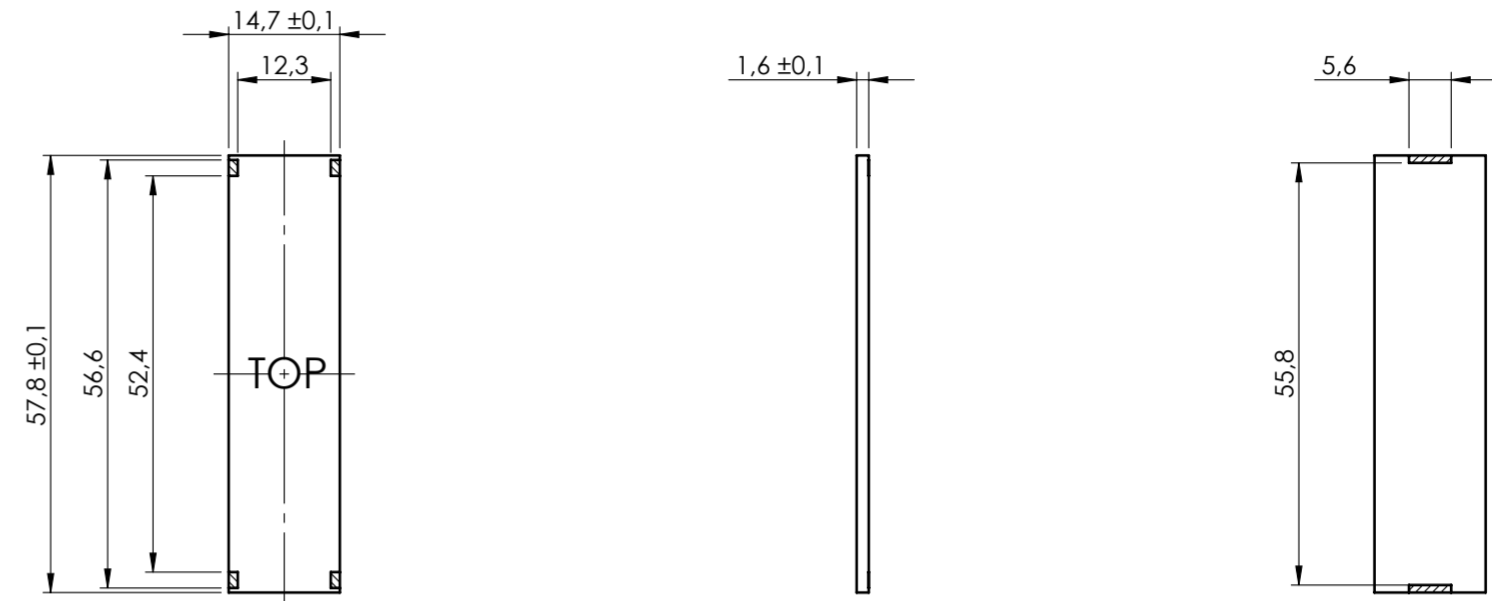
General Tolerance UNI EN 22768/1 Media (m)						Sheet:
from 0.5 to 3	from 3 to 6	from 6 to 30	from 30 to 120	from 120 to 400		1
± 0.1	± 0.1	± 0.2	± 0.3	± 0.5		
Scale:	IM:	Drawed:	Checked:	Date:	Material:	Process:
1:1	--	M.S.	R.N.	22/08/2023		
			Replaces the:	Derived from:	Weight:	Cod. Mold:
Dimension in mm			M-05727-00	--	gr	--
italtronic enclosures for electronics italtronic.com						Description: KIT CONTENITORE MODULBOX 1MH53 KIT ENCLOSURE MODULBOX 1MH53 Drawing nr.: 3_250_00176
						Rev.: 00
						A2

PCB A

Max height of the terminal:
Modulbox ONE: 20 mm

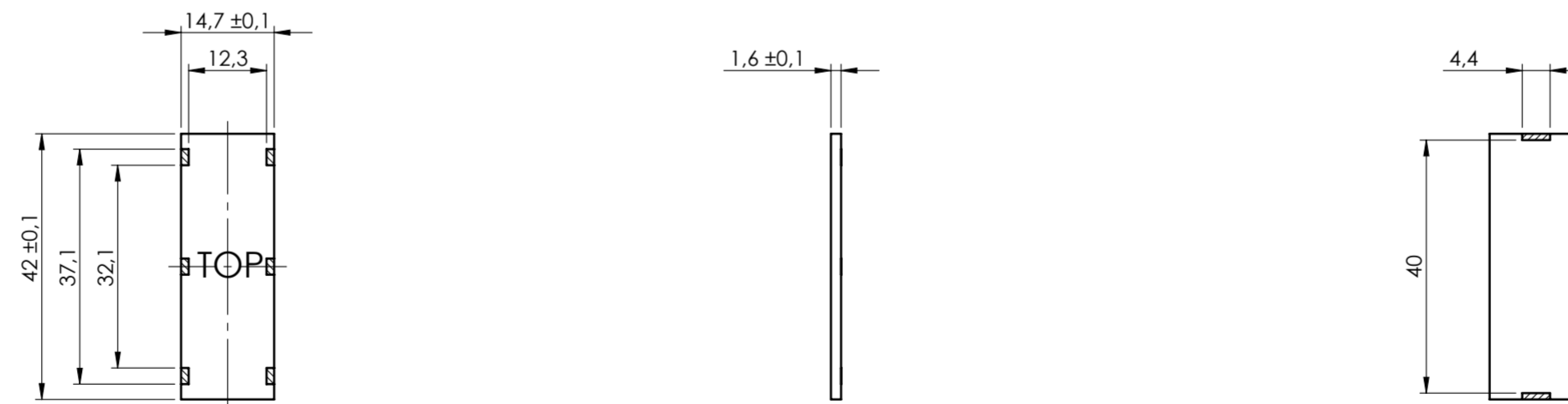


PCB B



*To use the PLUG-IN terminals in Modulbox ONE use plug-in adapter P05000003E (5/5.08 pitch) and P05000004E (7.5/7.62 pitch)

PCB C



General Tolerance UNI EN 22768/1 Media (m)					Sheet:
from 0.5 to 3 ± 0.1	from 3 to 6 ± 0.1	from 6 to 30 ± 0.2	from 30 to 120 ± 0.3	from 120 to 400 ± 0.5	PCB
Scale:	IM:	Drawn:	Checked:	Date:	Material:
1:1	--	M.S.	R.N.	22/08/2023	Process:
Dimension in mm		Replaces the:		Derived from:	Weight:
		M-05727-00		--	gr
		Description:		Cod. Mold:	
		KIT CONTENITORE MODULBOX 1MH53		--	
		KIT ENCLOSURE MODULBOX 1MH53			
		Drawing nr.:		Rev.:	
		3_250_00176		00 A2	

NO COMPONENTS AREA

