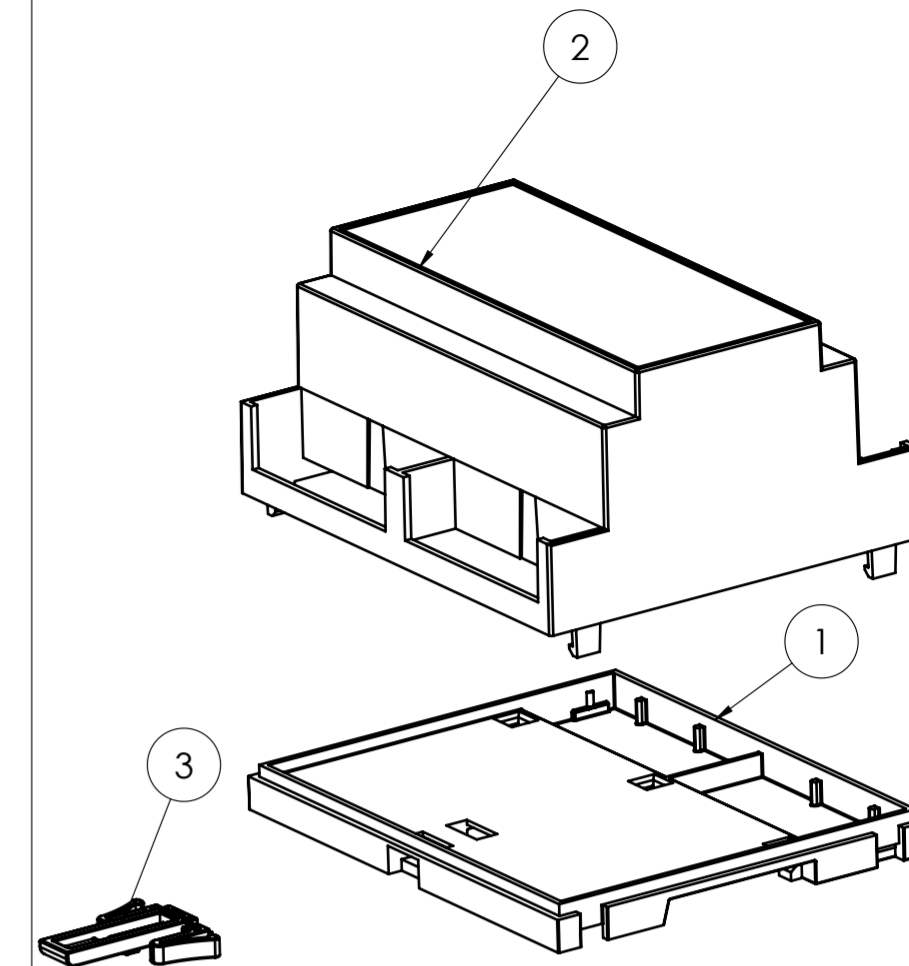
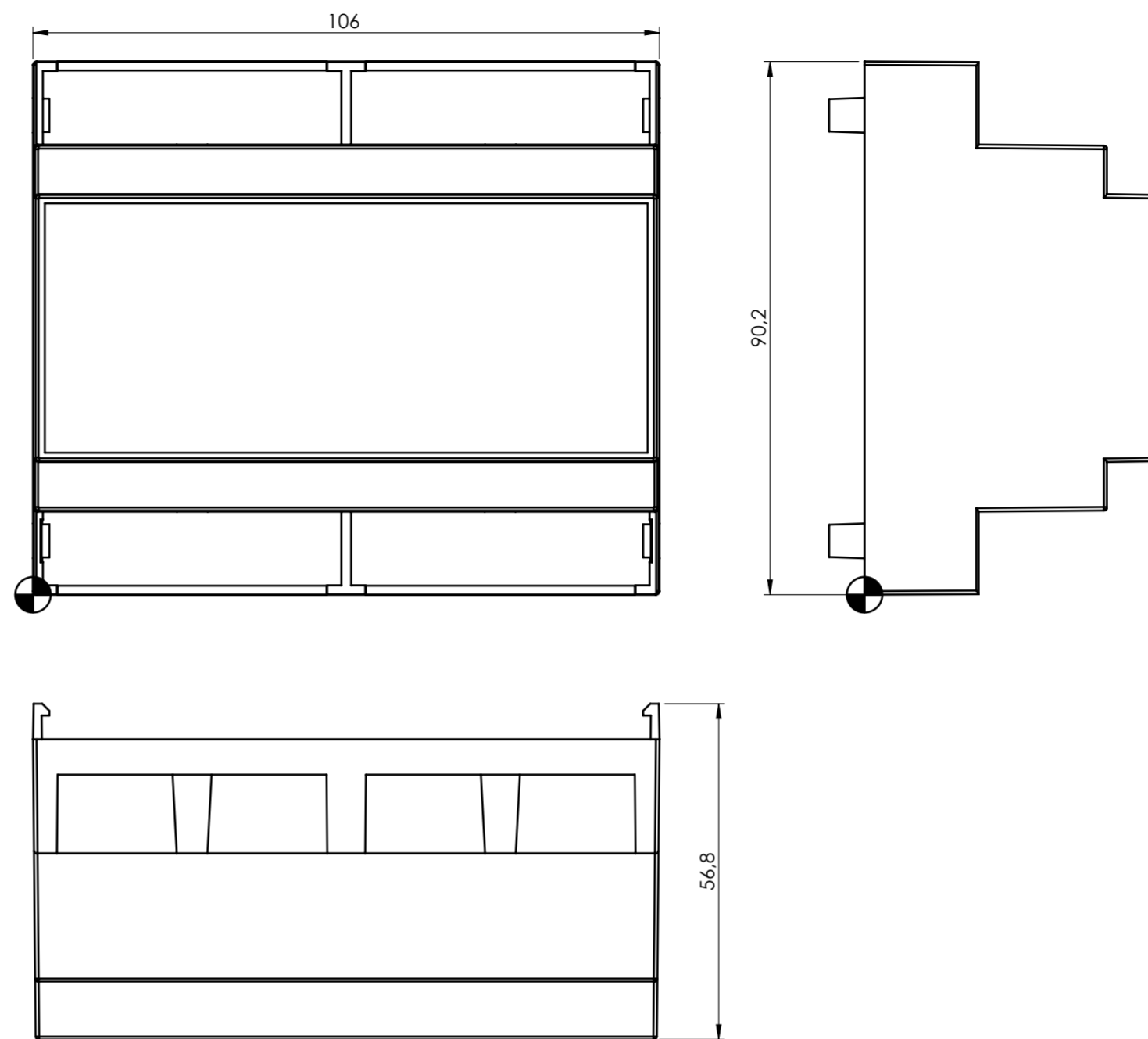
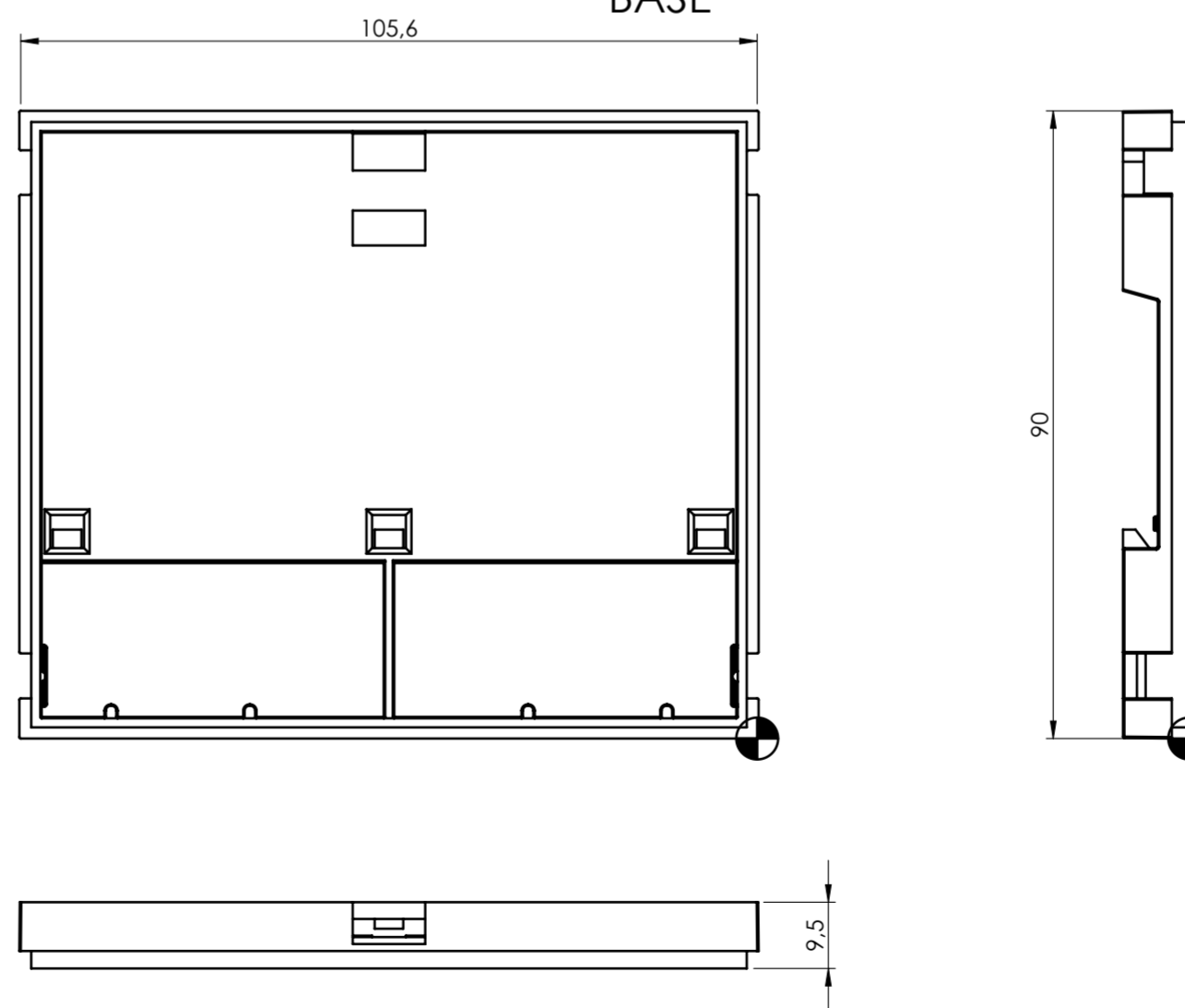


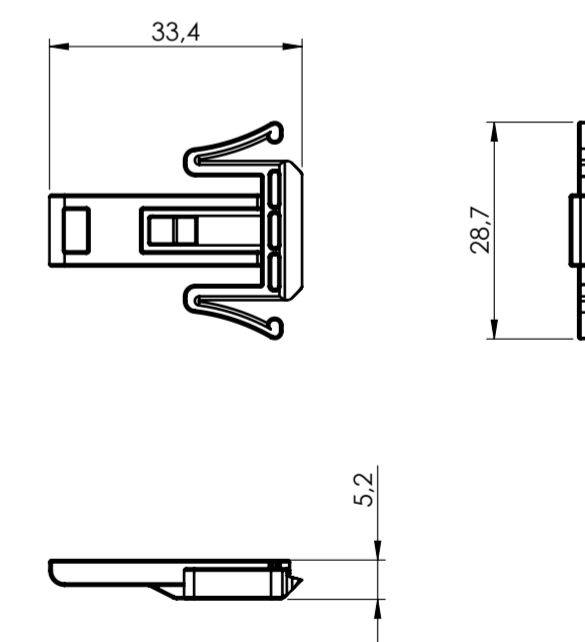
### BODY ENCLOSURE



### BASE



### HOOK



General information:  
 - Workpiece zero point for mechanical processing  
 - Minimum recommended radius for machining = R1.0 mm  
 - Mounting rail like EN 60715: TH 35-7.5 or TH 35-15  
 - Recommended PCB outline on [www.italtronic.com](http://www.italtronic.com)

RIF.	Q.TY	DRAWING	DESCRIPTION
1	1	2_250_00147	BASE MODULBOX ONE 6M
2	1	2_250_00187	BODY ENCLOSURE MODULBOX ONE 6MDC53
3	1	2_250_00079	HOOK FOR MODULBOX ONE

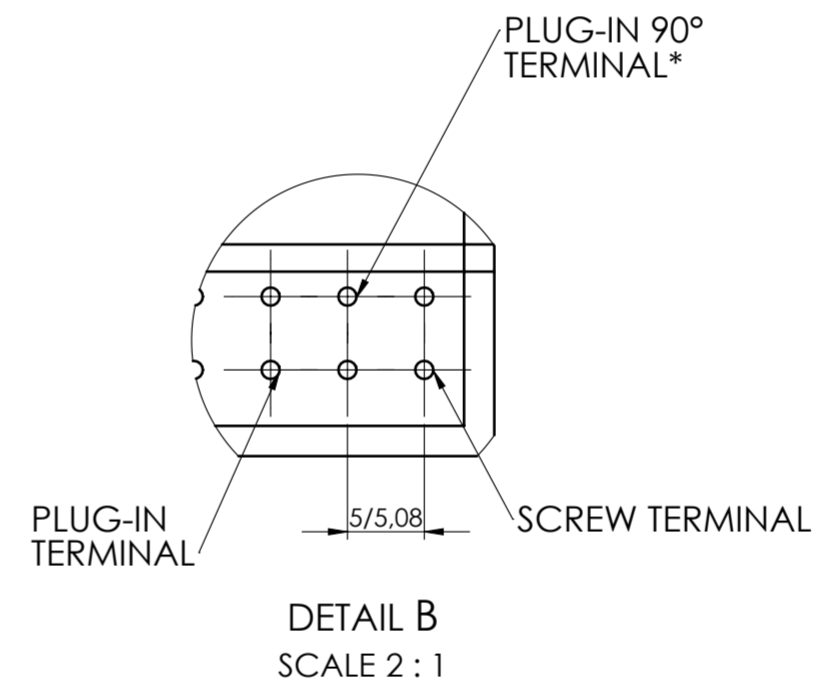
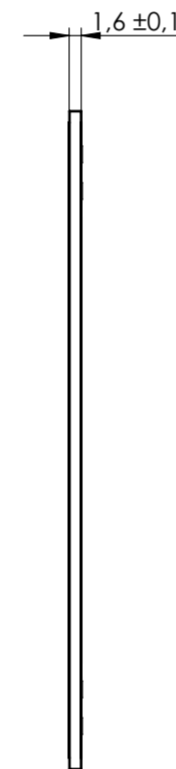
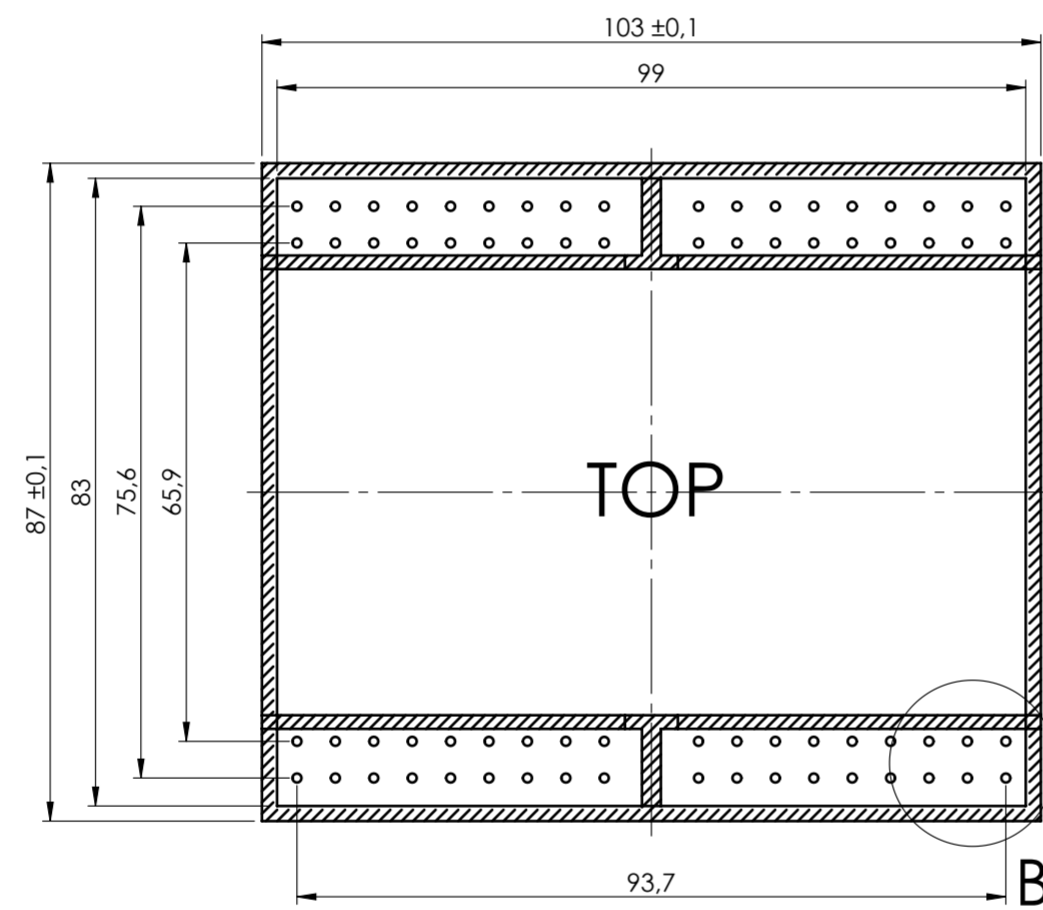
General Tolerance UNI EN 22768/1 Media (m)					Sheet:
from 0.5 to 3 ± 0.1	from 3 to 6 ± 0.1	from 6 to 30 ± 0.2	from 30 to 120 ± 0.3	from 120 to 400 ± 0.5	1
Scale:	IM:	Drawn:	Checked:	Date:	Process:
1:1	--	M.S.	R.N.	24/07/2023	--
Dimension in mm		Replaces the:	Derived from:	Weight:	Cod. Mold:
		M-04827-01	--	gr	--

Description:		Rev.:
KIT CONTENITORE MODULBOX ONE 6MDC53		00
KIT ENCLOSURE MODULBOX ONE 6MDC53		A2
Drawing nr.:		
3_250_00161		




PCB A

Max height of the terminal:  
Modulbox ONE: 20 mm



*\*To use the PLUG-IN terminals in Modulbox ONE use plug-in adapter P05000003E (5/5.08 pitch) and P05000004E (7.5/7.62 pitch)*

General Tolerance UNI EN 22768/1 Media (m)					Sheet:
from 0.5 to 3 ± 0.1	from 3 to 6 ± 0.1	from 6 to 30 ± 0.2	from 30 to 120 ± 0.3	from 120 to 400 ± 0.5	PCB
Scale: 1:1	Drawn: M.S.	Checked: R.N.	Date: 24/07/2023	Material:	Process:
Dimension in mm	The present drawing cannot be reproduced or communicated to third parties, even partially, without the authorization of Italtronic. Italtronic reserves the right to protect its copyrights according to the law.		Derived from: --	Weight: gr	Cod. Mold: --
 enclosures for electronics italtronic.com			Description: KIT CONTENITORE MODULBOX ONE 6MDC53 KIT ENCLOSURE MODULBOX ONE 6MDC53 Drawing nr.: <b>3_250_00161</b>		Rev.: <b>00</b>
					<b>A2</b>

NO COMPONENTS AREA