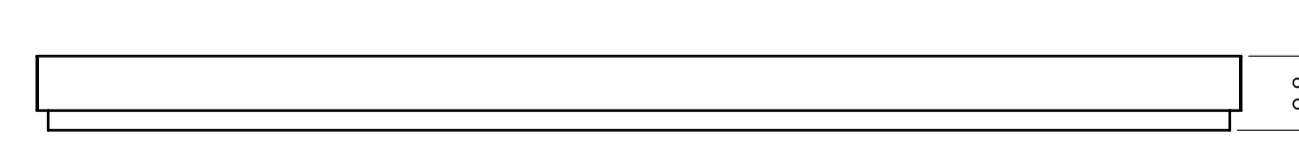
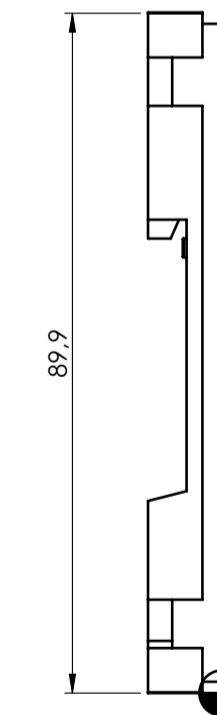
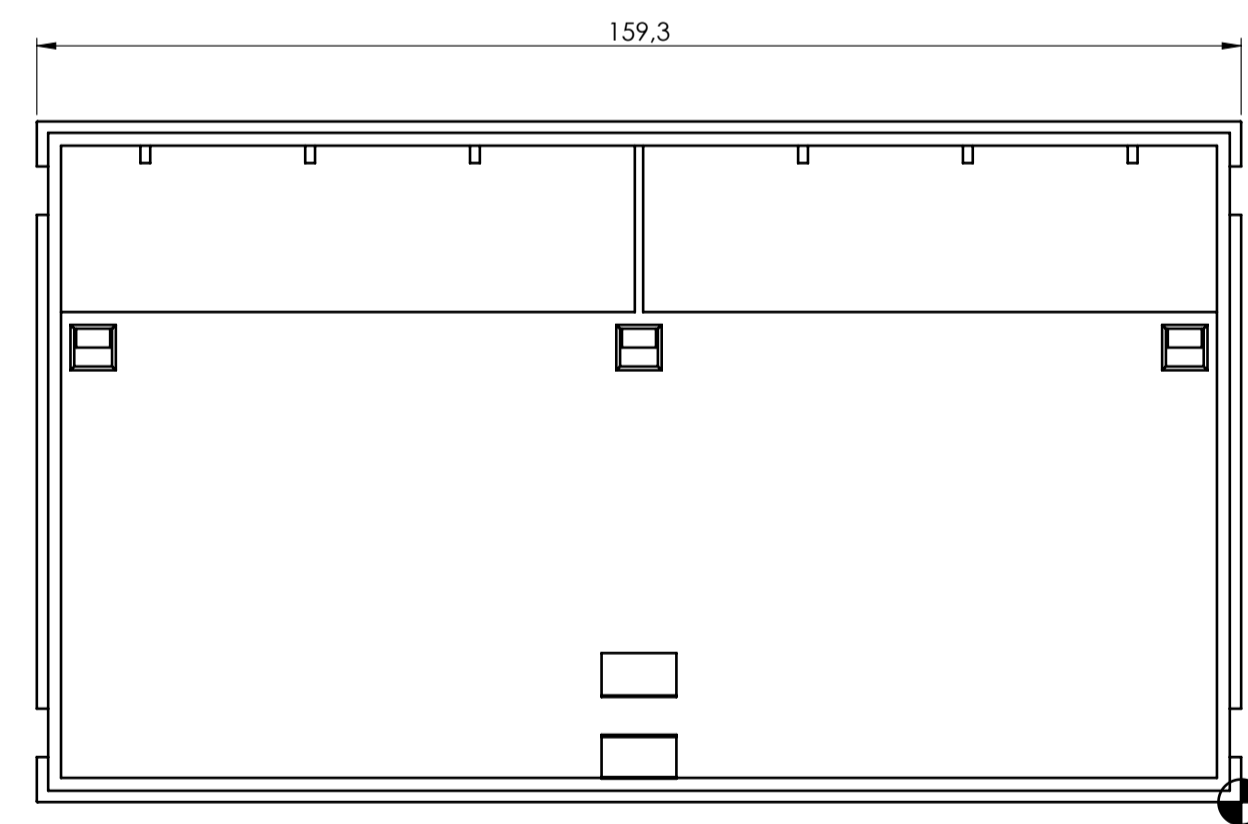
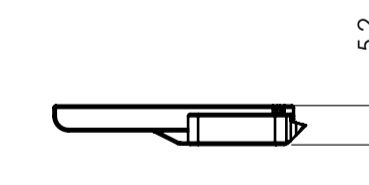
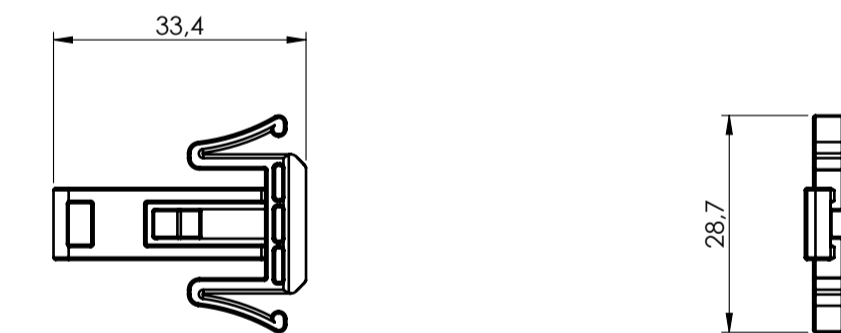


BASE



HOOK



General information:
 - Workpiece zero point for mechanical processing
 - Minimum recommended radius for machining = R1.0 mm
 - Mounting rail like EN 60715: TH 35-7.5 or TH 35-15
 - Recommended PCB outline on www.italtronic.com

RIF.	Q.TY	DRAWING	DESCRIPTION
1	1	2_250_00193	BODY ENCLOSURE MODULBOX ONE 9MHC53
2	1	2_250_00079	HOOK FOR MODULBOX ONE
3	1	2_250_00192	BASE MODULBOX ONE 9M

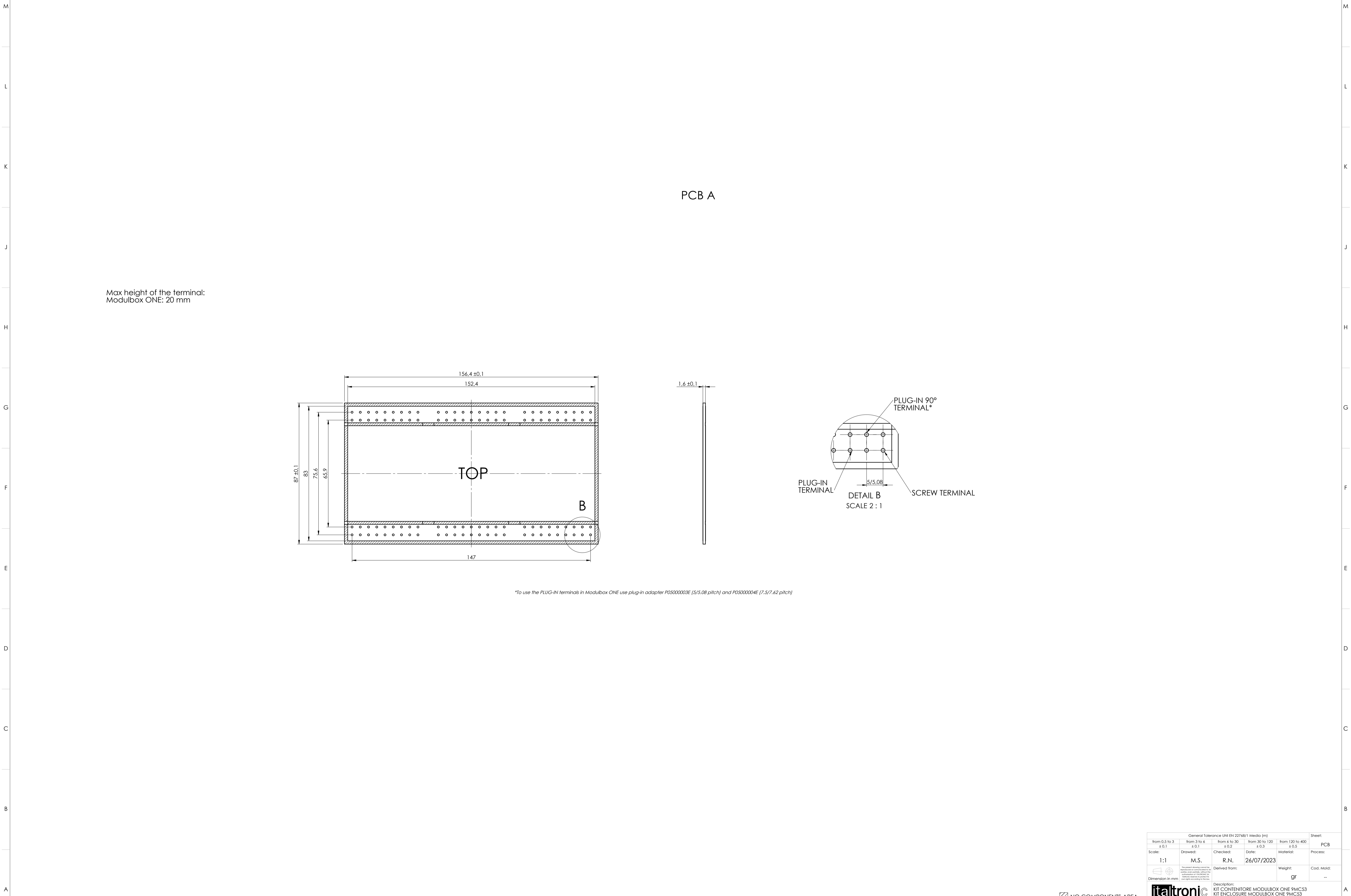
General Tolerances (UNE EN 22768/1 Medio [m])

Dimension in mm	from 0.5 to 3	from 3 to 6	from 6 to 30	from 30 to 120	from 120 to 400	Sheet:
±0.1	±0.1	±0.2	±0.3	±0.5	1	

Scale: 1:1
 Drawn: M.S.
 Checked: R.N.
 Date: 26/07/2023
 Derived from:
 Weight: gr
 Cod. Mod: --

Description:
 KIT CONTENITORE MODULBOX ONE 9MC53
 KIT ENCLOSURE MODULBOX ONE 9MC53
 Drawing n°: **3_250_00169**
 Rev: 00 A1

italtronic
 enclosures for electronics
italtronic.com



Max height of the terminal:
Modulbox ONE: 20 mm

PCB A

*To use the PLUG-IN terminals in Modulbox ONE use plug-in adapter P05000003E (5/5.08 pitch) and P05000004E (7.5/7.62 pitch)

General Tolerance IIR EN 22768/1 Media [m]					Sheet:
from 0.5 to 3 ± 0.1	from 3 to 6 ± 0.1	from 6 to 30 ± 0.2	from 30 to 120 ± 0.3	from 120 to 400 ± 0.5	PCB
Scale:	1:1	Drawn:	M.S.	Checked:	R.N.
Dimension in mm		Derived from:	26/07/2023	Date:	26/07/2023
		Weight:	gr	Cod. Mold:	--
Description:					Rev:
KIT CONTENITORE MODULBOX ONE 9MCS3					00
KIT ENCLOSURE MODULBOX ONE 9MCS3					A1
Drawing nr:					
3_250_00169					
Italtironi					
enclosures for electronics					
italtironi.com					

NO COMPONENTS AREA