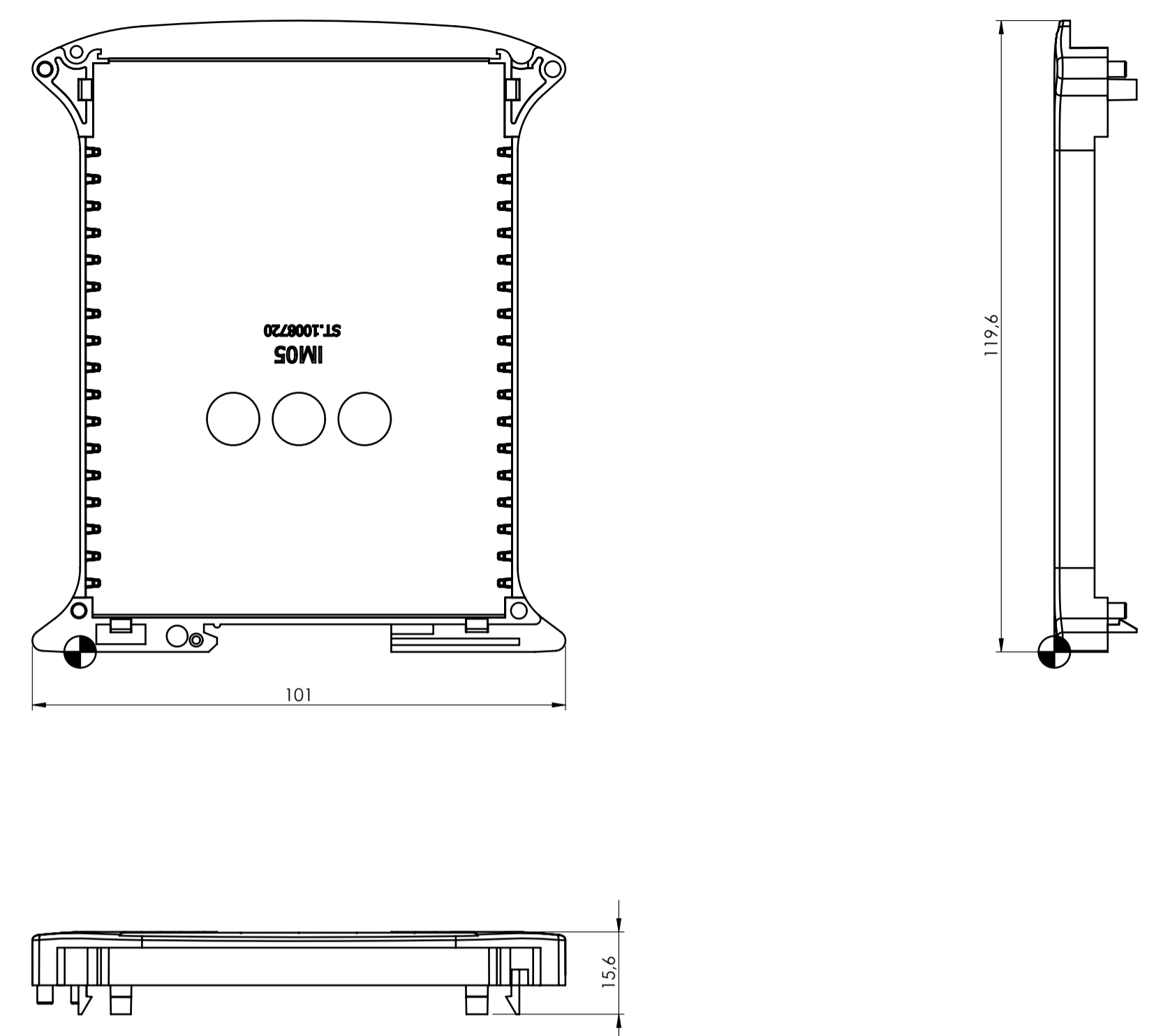
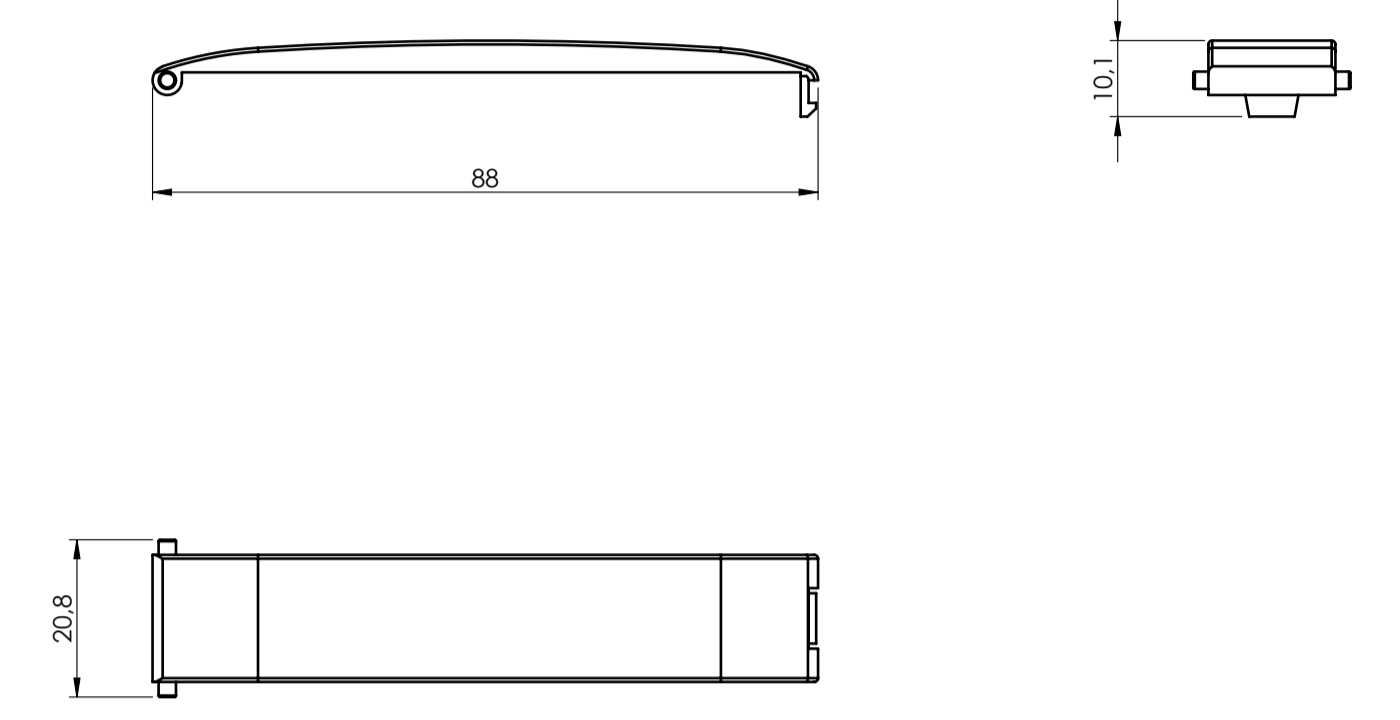


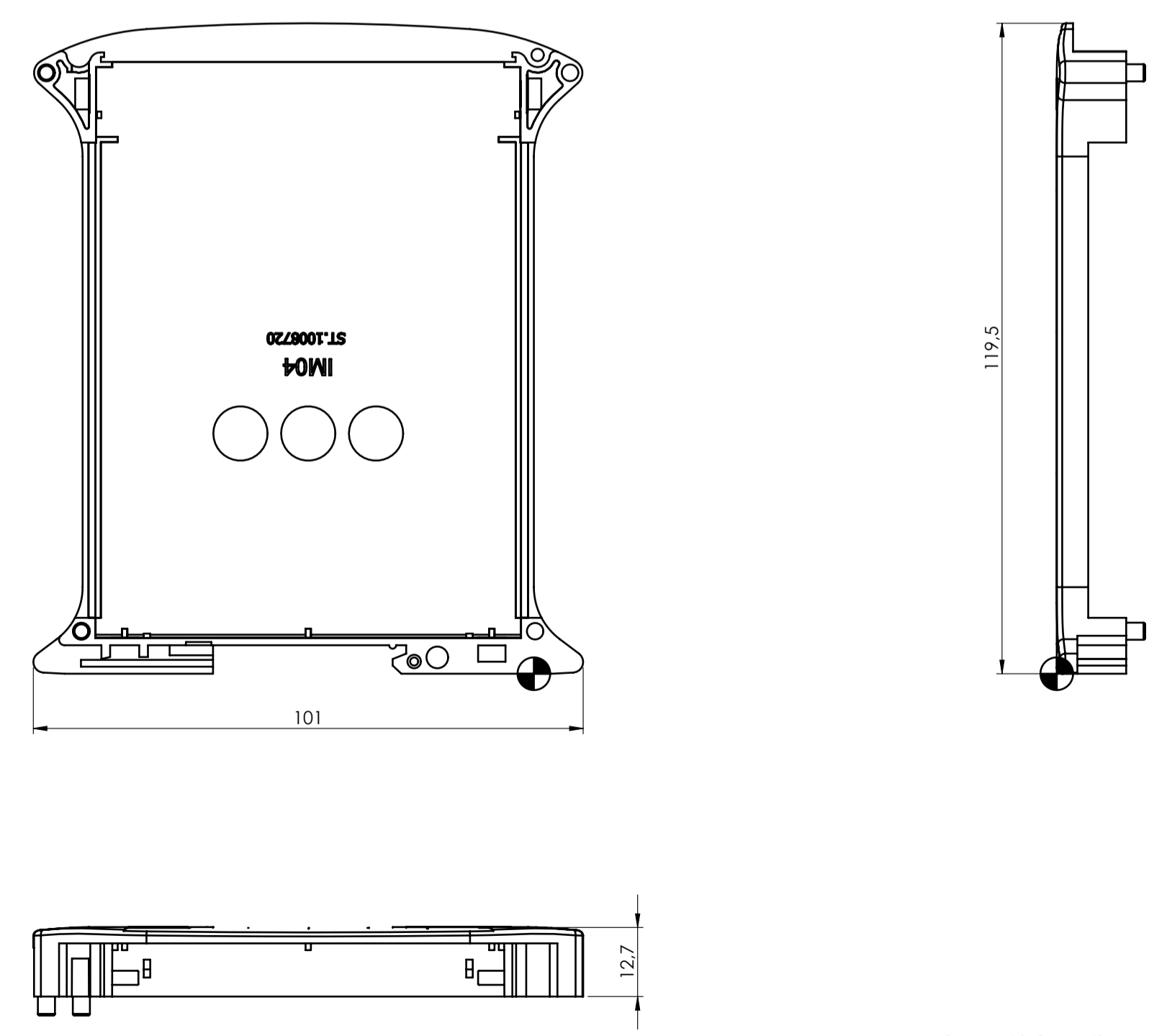
COVER RAILBOX



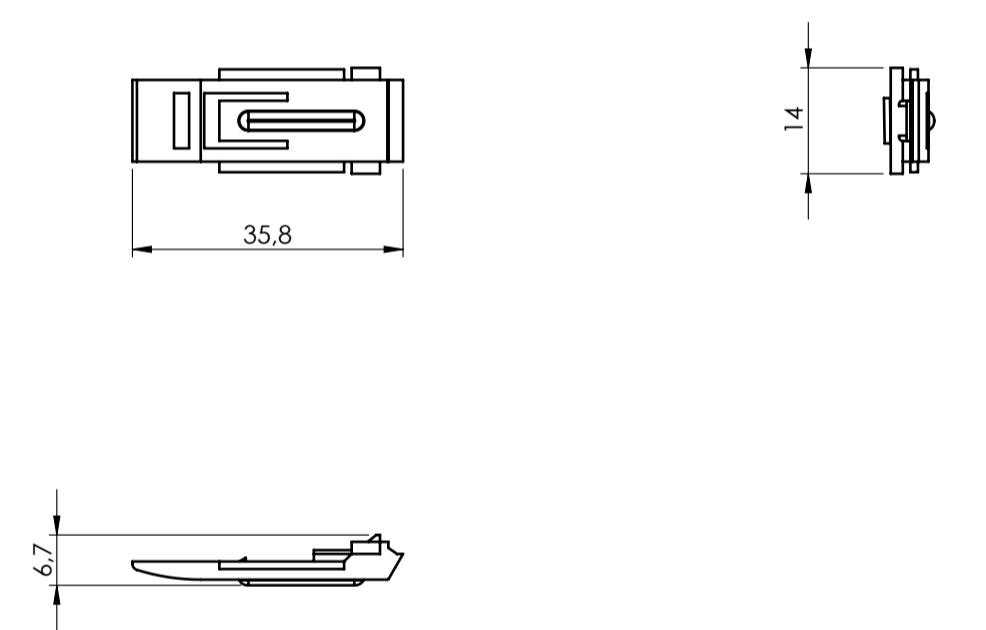
HINGED PANEL



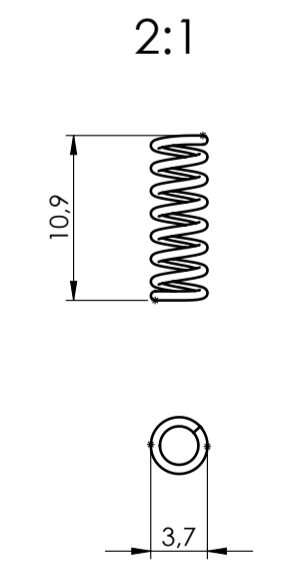
BASE RAILBOX



HOOK



SPRING



General information:
 - Workpiece zero point for mechanical processing
 - Minimum recommended radius for machining = R1.0 mm
 - Mounting rail like EN 60715: TH 35-15
 - Recommended PCB outline on www.italtronic.com

RIF.	Q.TY	DRAWING	DESCRIPTION
1	1	2_110_00032	HOOK RAILBOX
2	1	2_110_00054	BASE RAILBOX VERTICAL 12.5 MM
3	1	2_110_00072	FRONT HINGED TRANSPARENT PANEL 17 MM
4	1	2_110_00053	COVER RAILBOX VERTICAL 10 MM
5	1	2_110_00011	SPRING FOR HOOK RAILBOX

General Tolerances (UNE EN 22268/1 Medio [mm])

from 0.5 to 3	from 3 to 6	from 6 to 30	from 30 to 120	from 120 to 400
±0.1	±0.1	±0.2	±0.3	±0.5

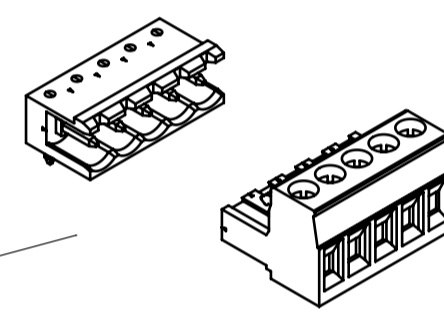
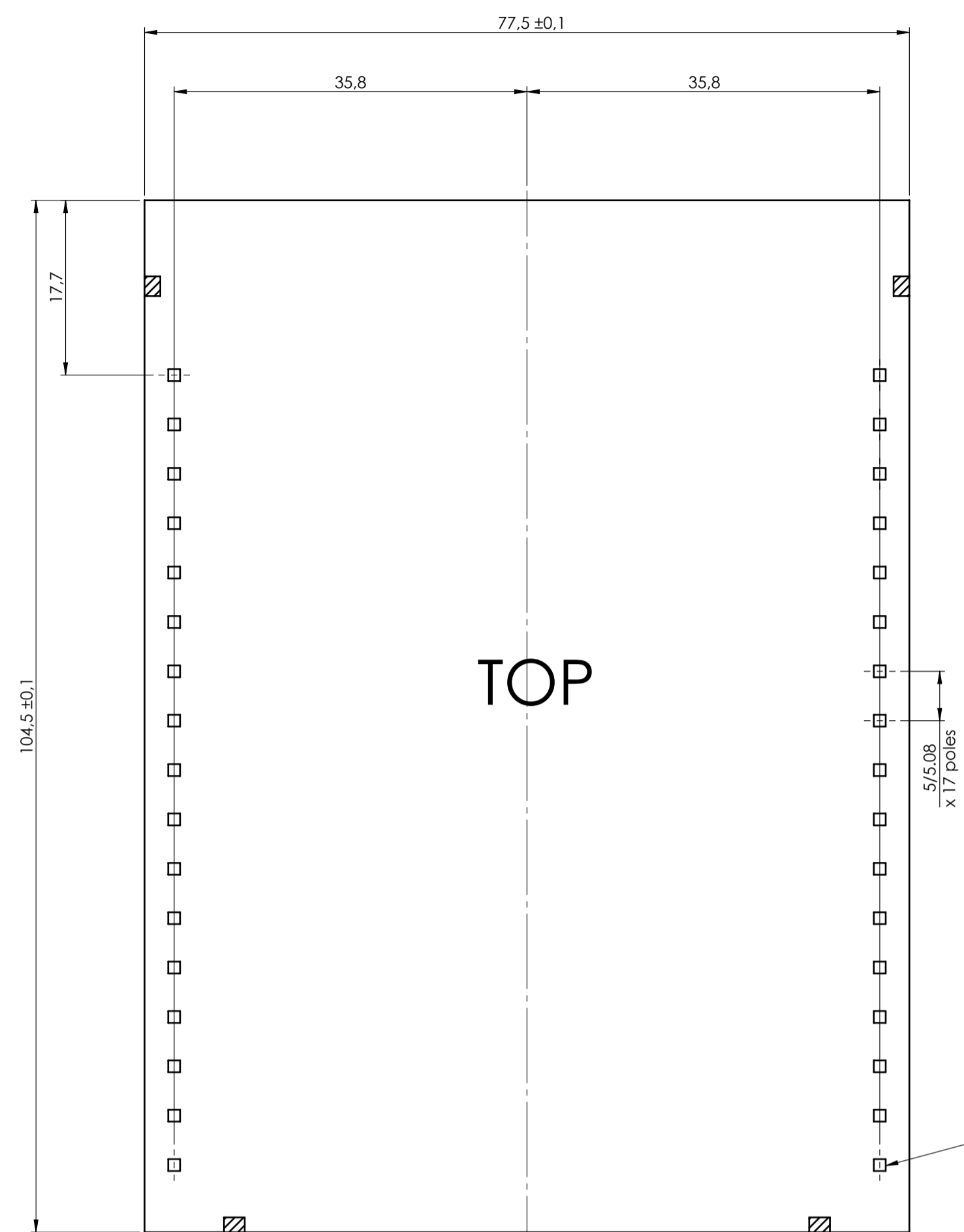
Scale: 1:1
 Drawn: M.S.
 Checked: R.N.
 Date: 25/02/2022
 Replaces: R-03445-00
 Derived from: --
 Weight: gr
 Cod. Mod: --

Dimension in mm

italtronic
 enclosures for electronics
italtronic.com

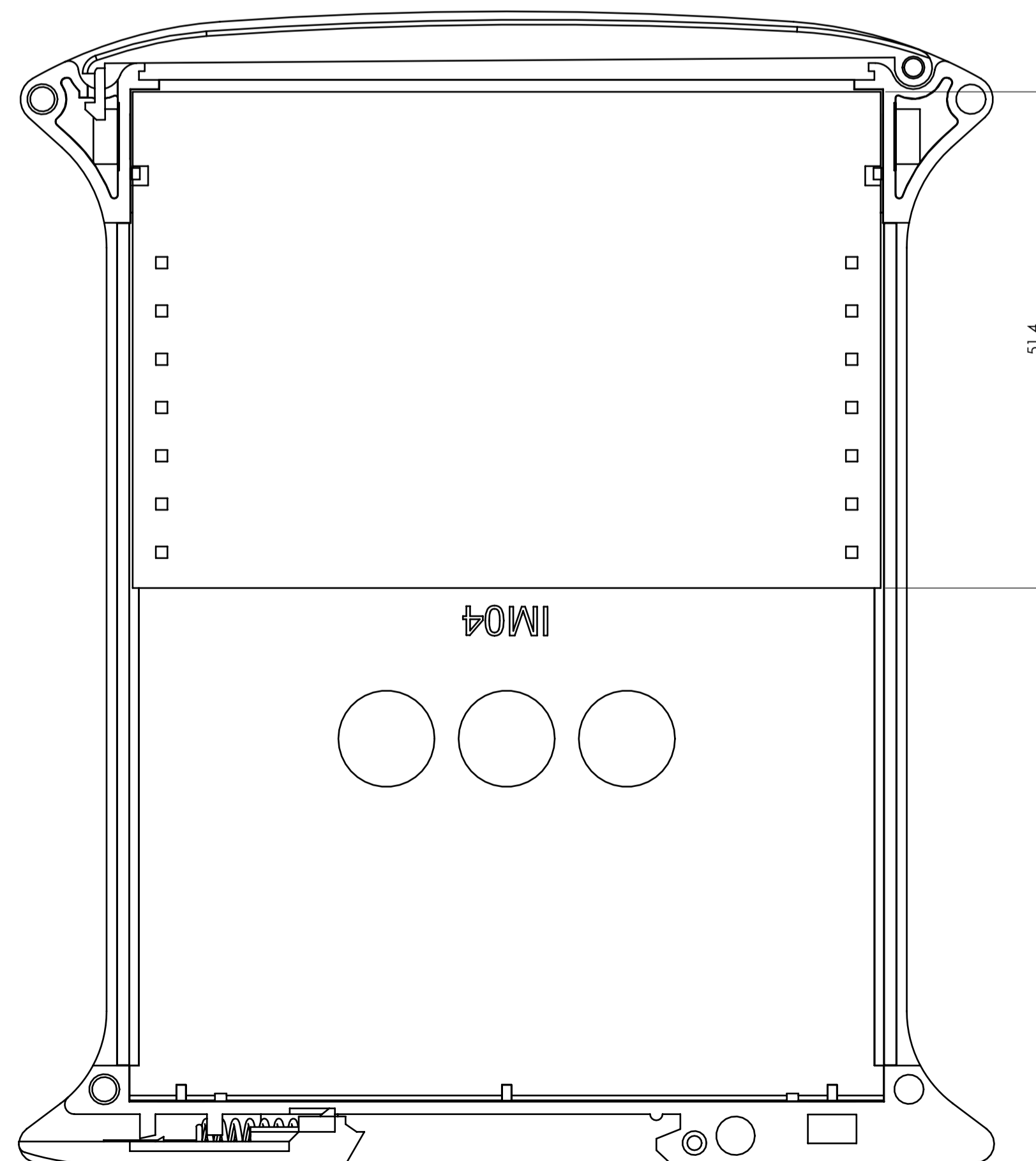
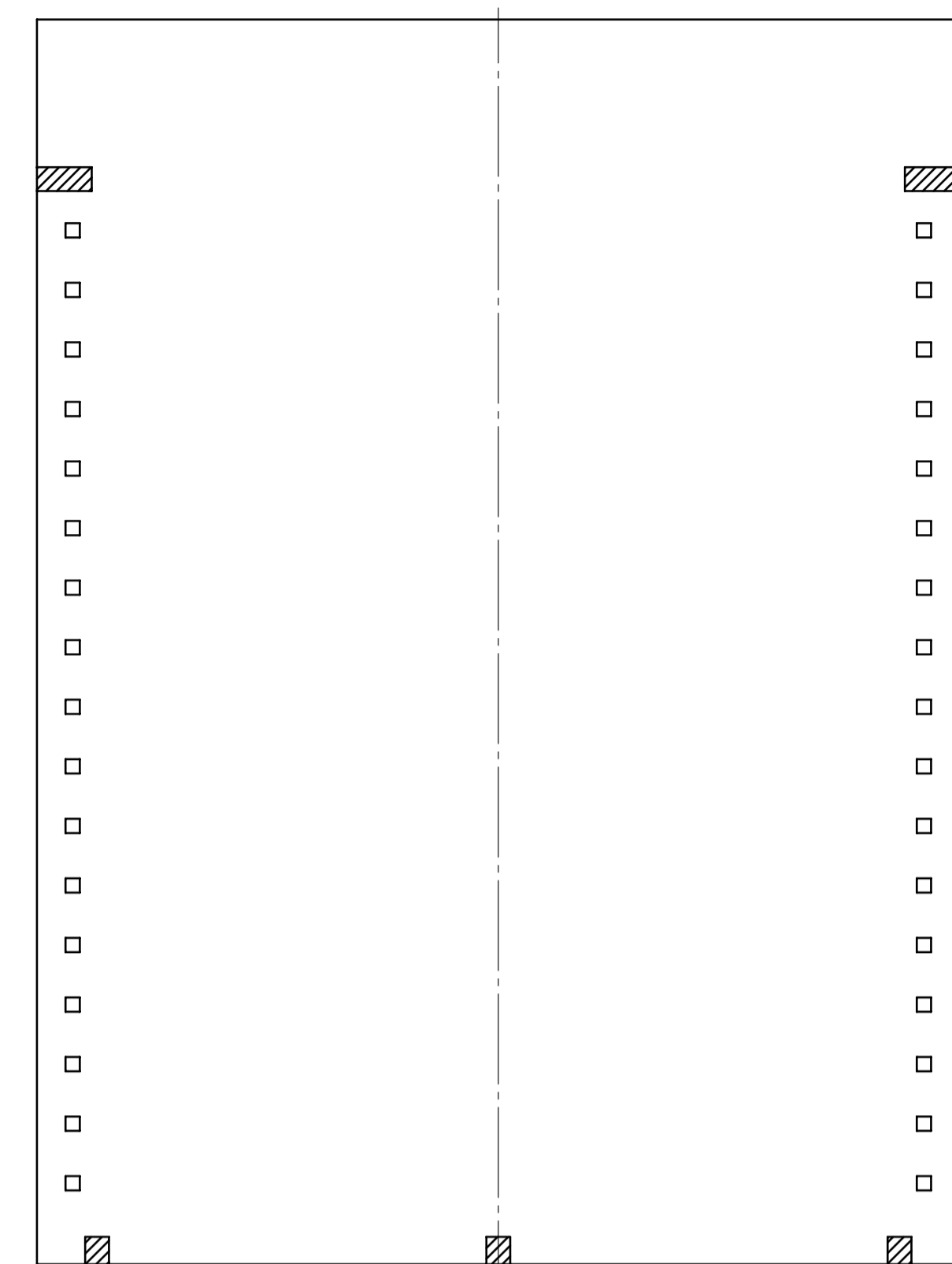
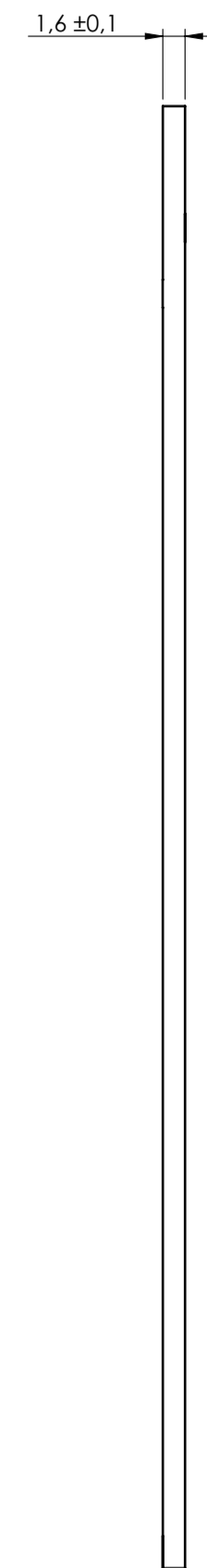
Description:
 KIT CONTENITORE RAILBOX VERTICAL 22.5MM
 KIT ENCLOSURE RAILBOX VERTICAL 22.5MM

Drawing n°: **3_110_00013**
 Rev: 0 A1



PVxx-5,08-H-M
SHxx-5,08-M

PCB V



example for assambling PCB
with adapter "PCB RAILBOX
VERTICAL"

General Tolerance UNI EN 22768/1 Media [m]					Sheet:
from 0.5 to 3	from 3 to 6	from 6 to 30	from 30 to 120	from 120 to 400	PCB
±0.1	±0.1	±0.2	±0.3	±0.5	Process:
Scale: 1:1	IM: --	Drawn: M.S.	Checked: R.N.	Date: 25/02/2022	Material: --
Dimension in mm		Replaces the: R-03445-00	Derived from: --	Weight: gr	Cod. Mold: --
Description: KIT CONTENITORE RAILBOX VERTICAL 22.5MM KIT ENCLOSURE RAILBOX VERTICAL 22.5MM					Rev.: 0 A1
 enclosures for electronics italtronic.com					Drawing IT: 3_110_00013

NO COMPONENTS AREA