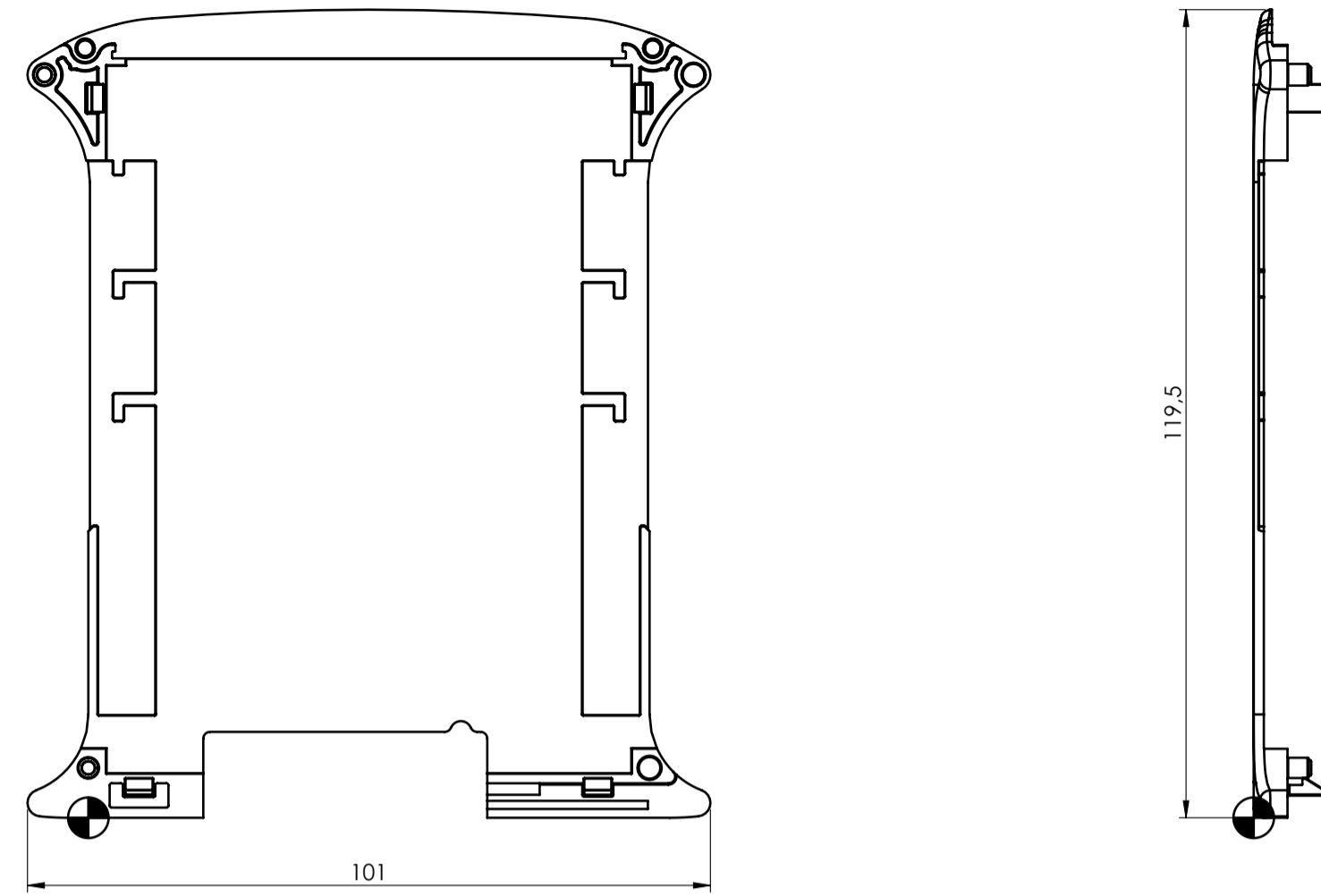


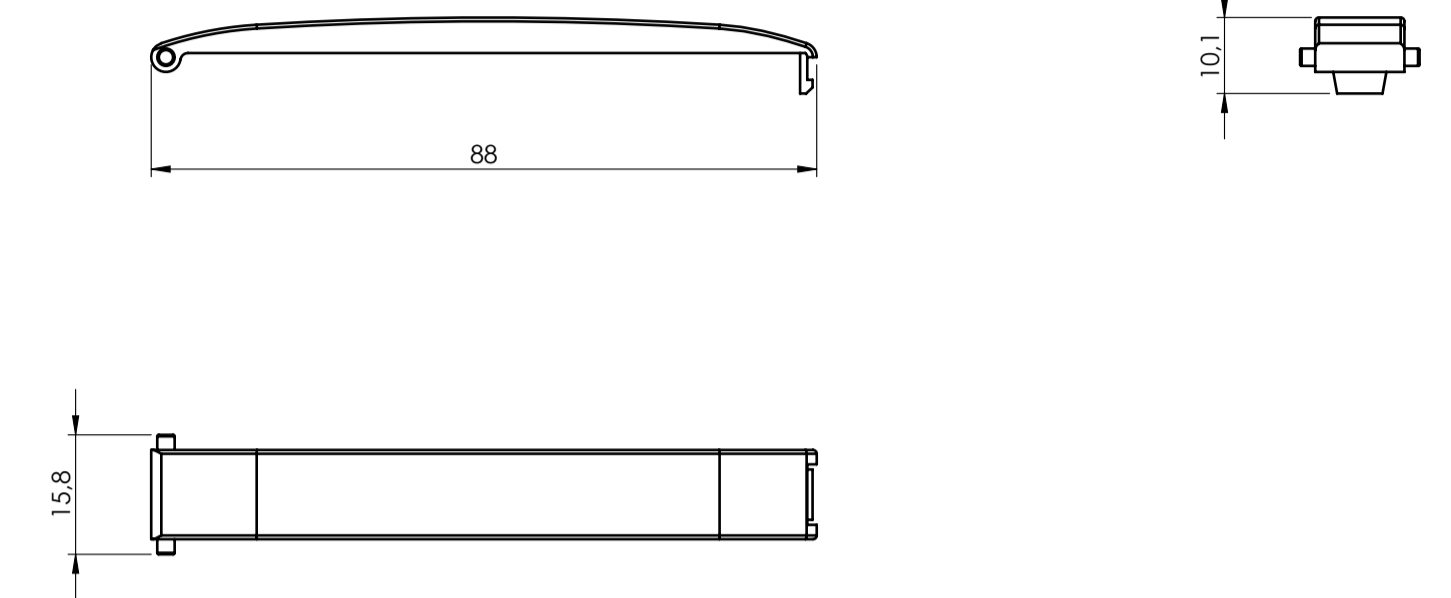
SECTION A-A



COVER RAILBOX



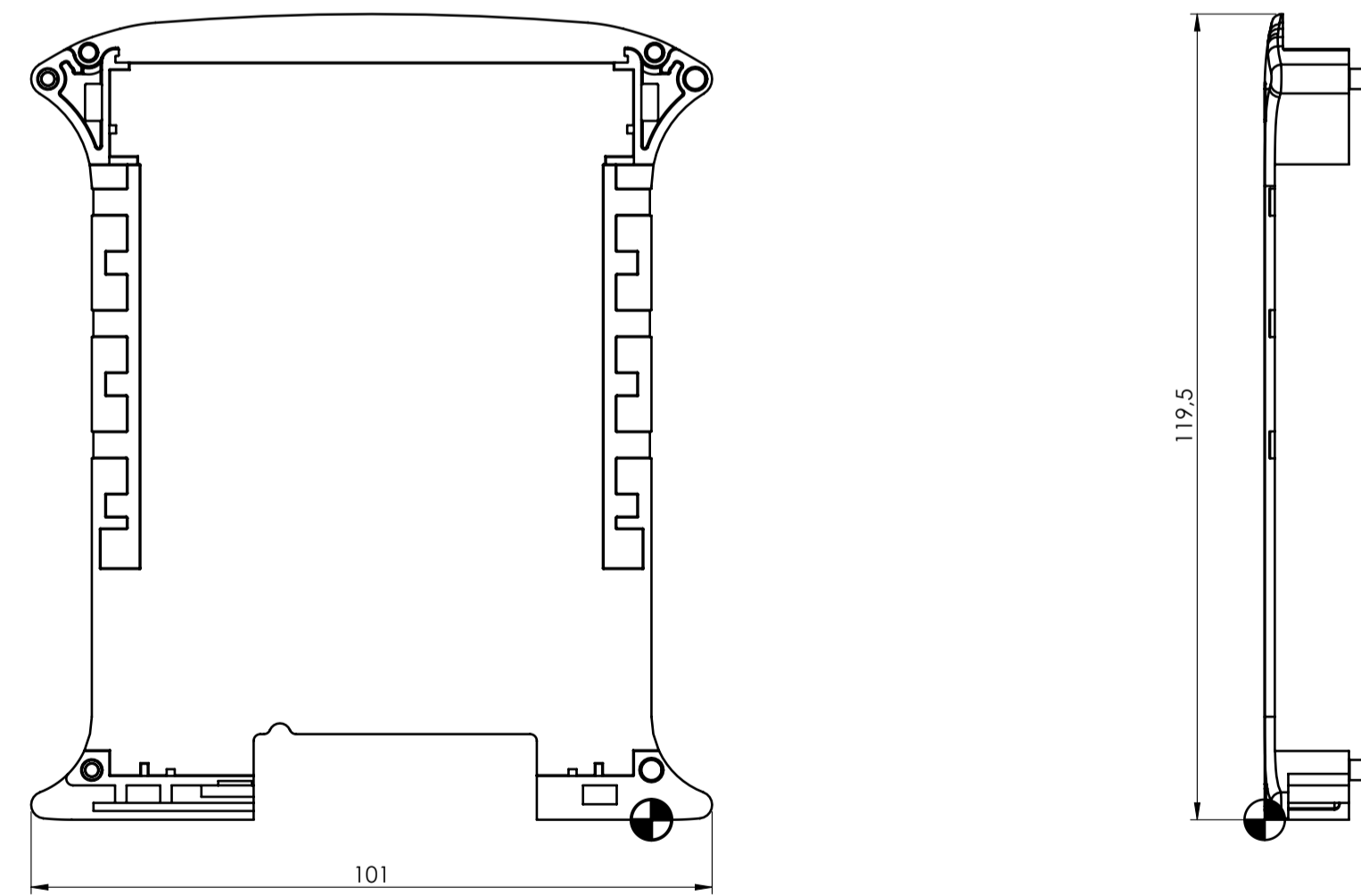
HINGED PANEL



HOOK

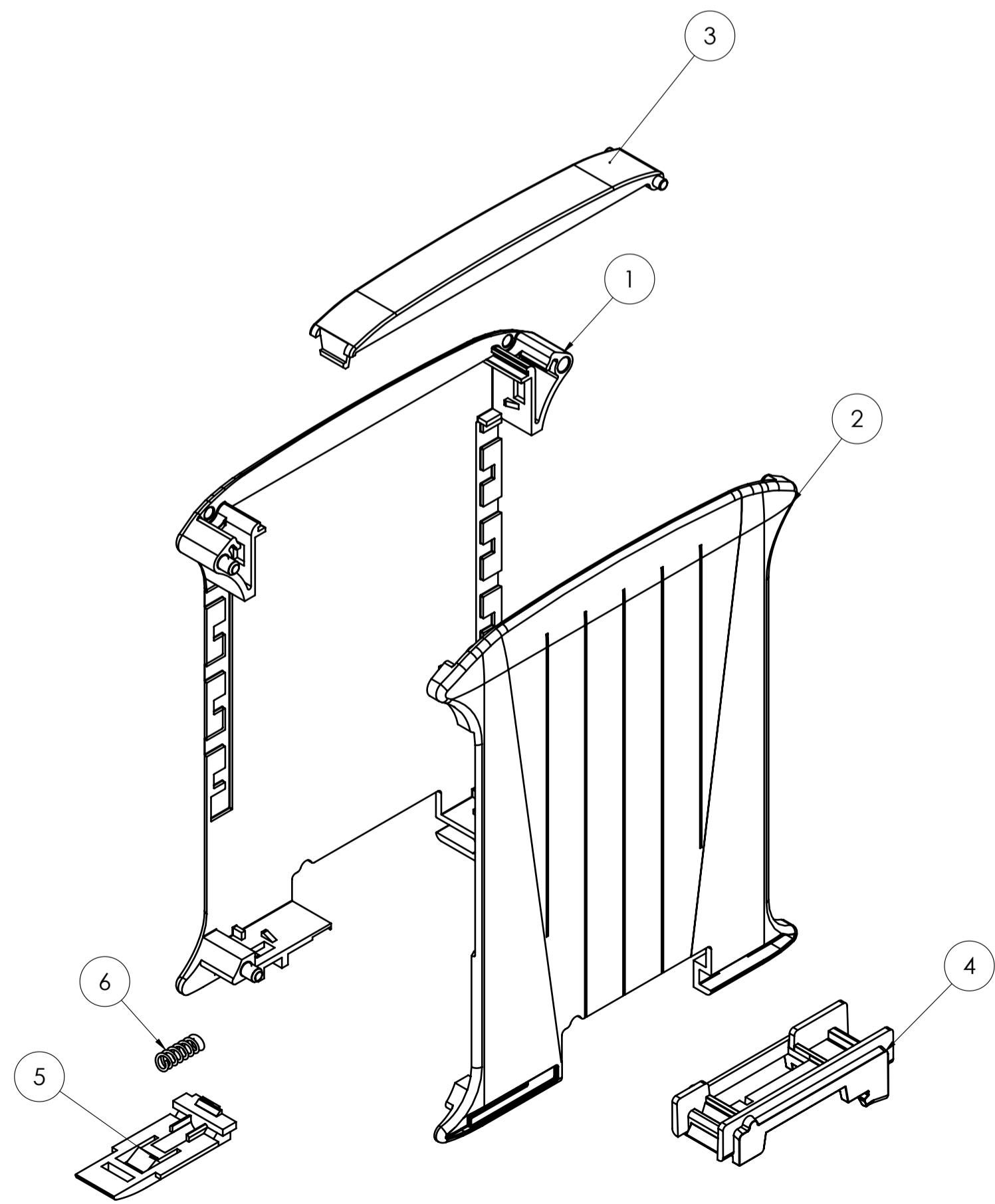
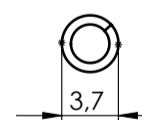
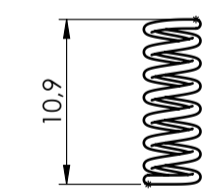


BASE RAILBOX



SPRING

2:1



General information:
 - Workpiece zero point for mechanical processing
 - Minimum recommended radius for machining = R1.0 mm
 - Mounting rail like EN 60715; TH 35-15
 - Recommended PCB outline on www.italtronic.com

RIF.	Q.TY	DRAWING	DESCRIPTION
1	1	2_110_00012	BASE RAILBOX MULTILEVEL PLUG-IN AND FIX 12.5 MM BUS
2	1	2_110_00013	COVER RAILBOX MULTILEVEL PLUG-IN AND FIX 5 MM BUS
3	1	2_110_00008	FRONT HINGED TRANSPARENT PANEL 12 MM
4	1	2_110_00009	ACCESSORY BUS 17.5 MM
5	1	2_110_00010	HOOK RAILBOX FOR CONNECTION BUS
6	1	2_110_00011	SPRING FOR HOOK RAILBOX

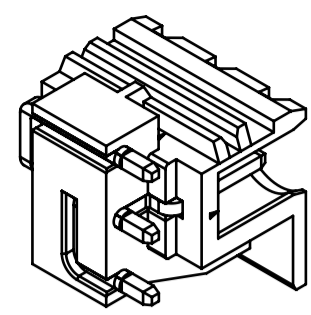
General Tolerances (UNE EN 22768/1) Media [mm]

Dimension in mm	from 0.5 to 3	from 3 to 6	from 6 to 30	from 30 to 120	from 120 to 400	Sheet
±0.1	±0.1	±0.2	±0.3	±0.5	1	

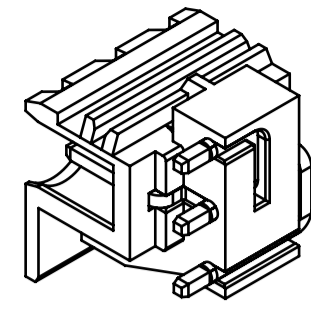
Scale: 1:1
 IM: --
 Drawn: M.S.
 Checked: R.N.
 Date: 23/10/2023
 Replaces the: --
 Derived from: --
 Weight: gr
 Cod. Mod: --

Description:
 KIT RAILBOX
 Drawing nr.: **3_110_00003**
 Rev: --
 A1

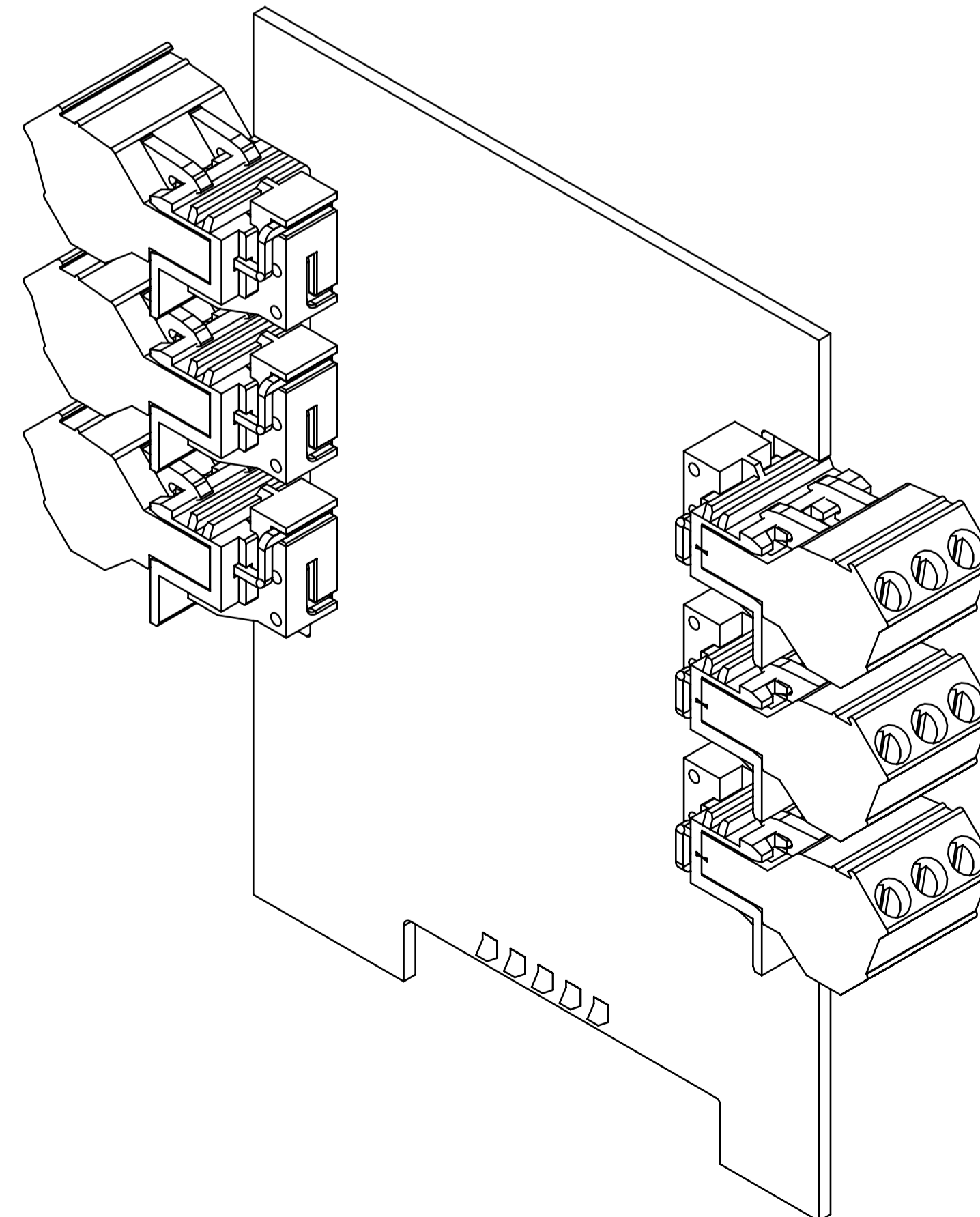
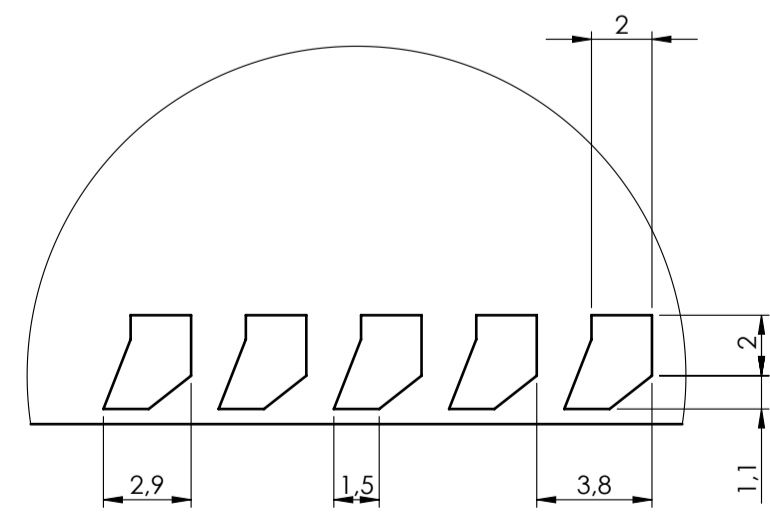
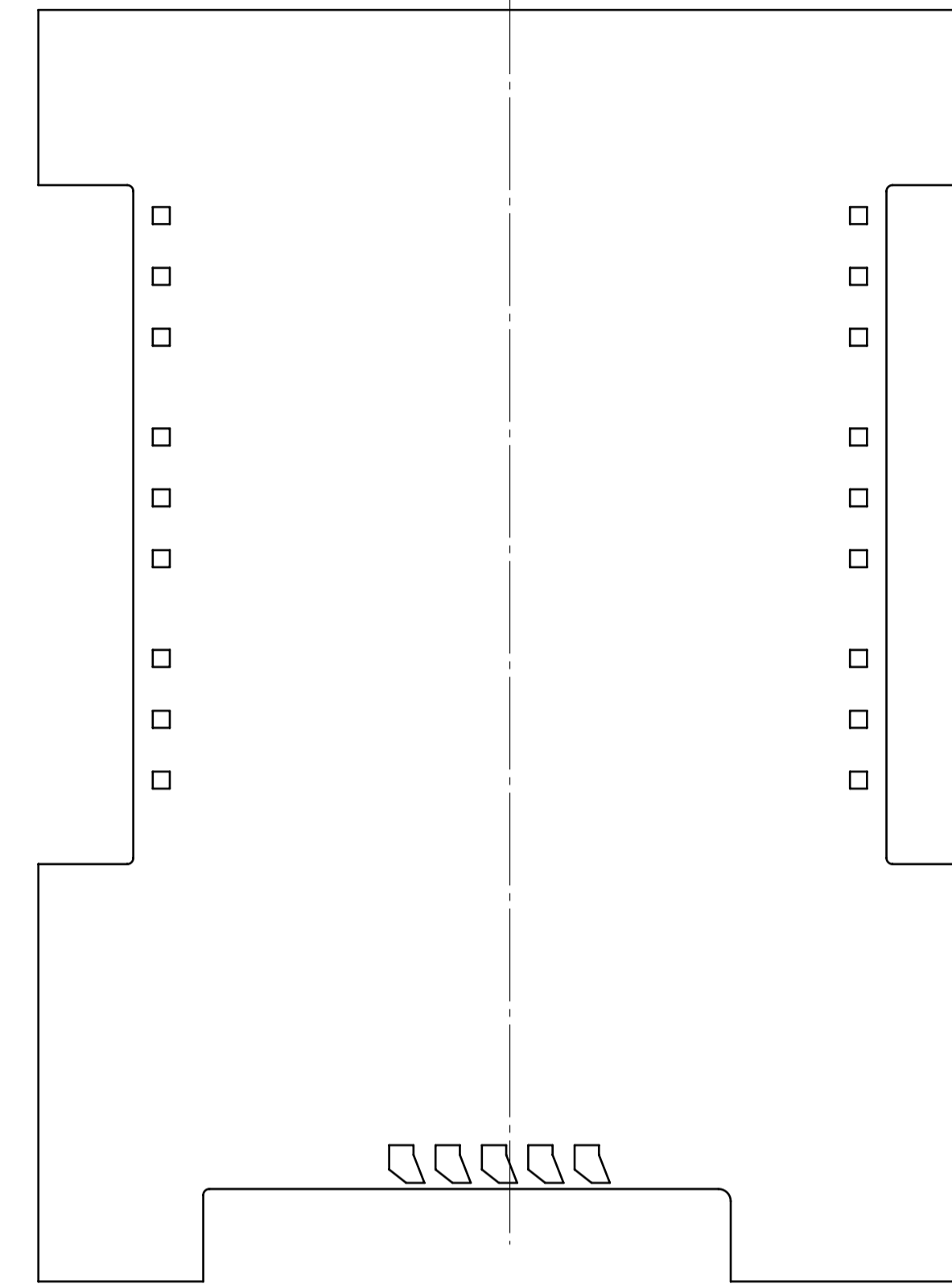
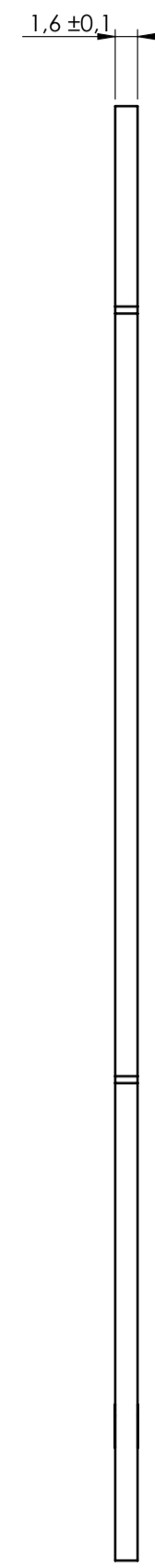
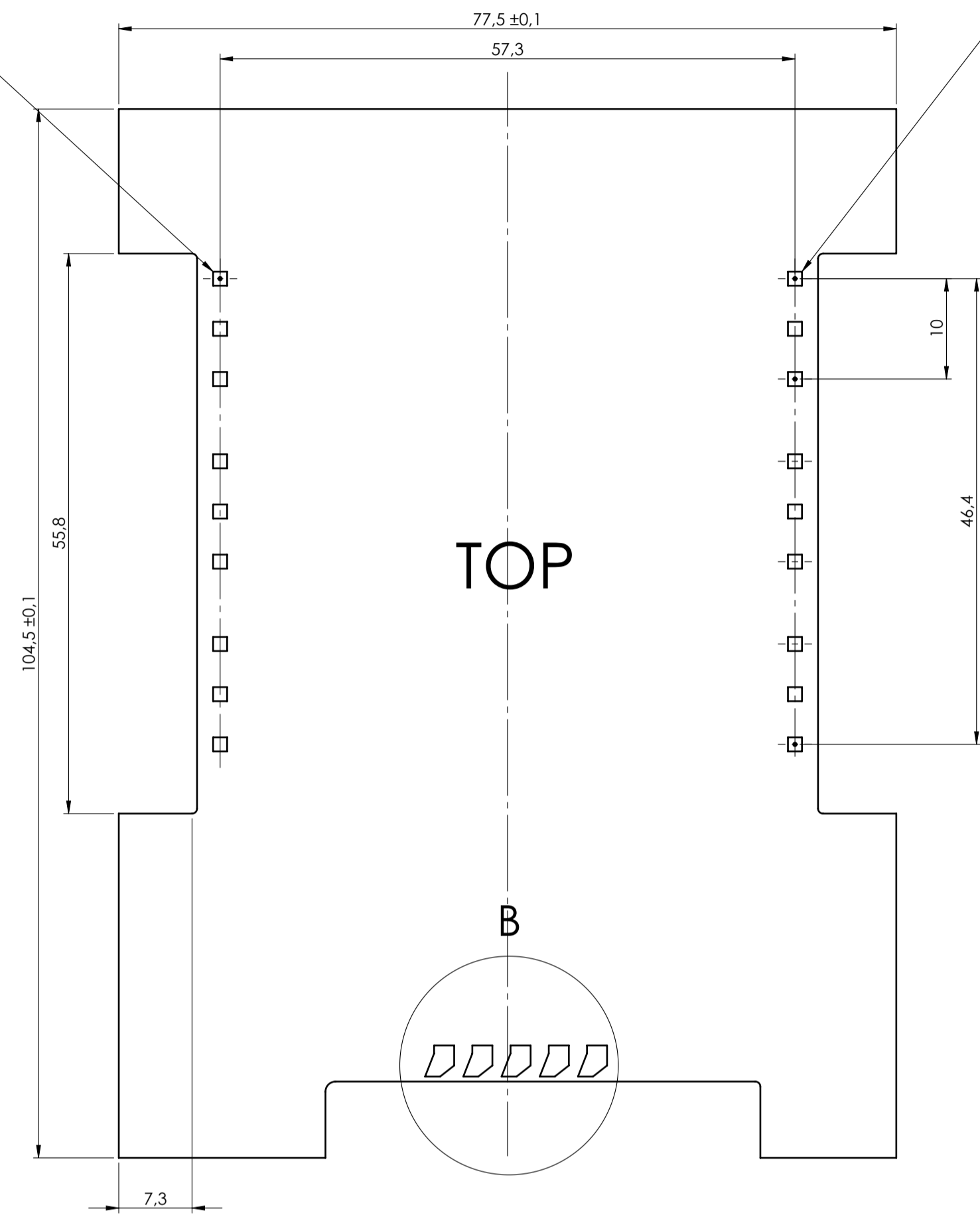
PCB PLUG-IN



5EH-xPL

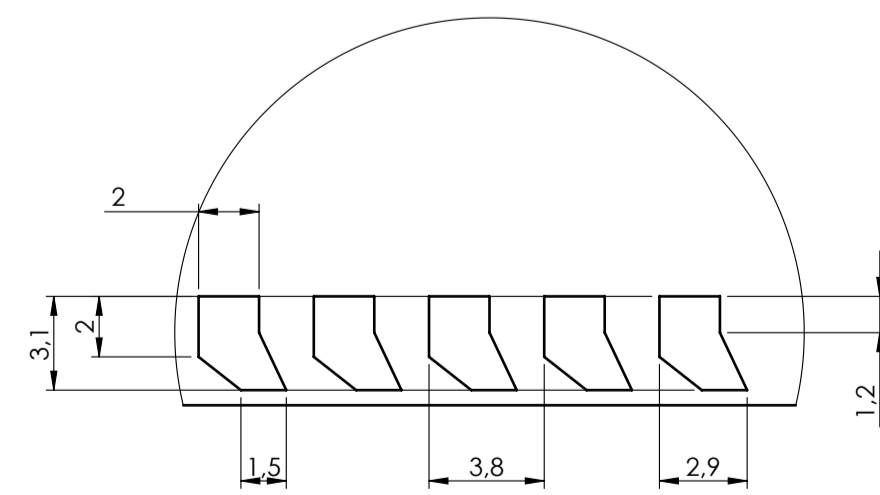
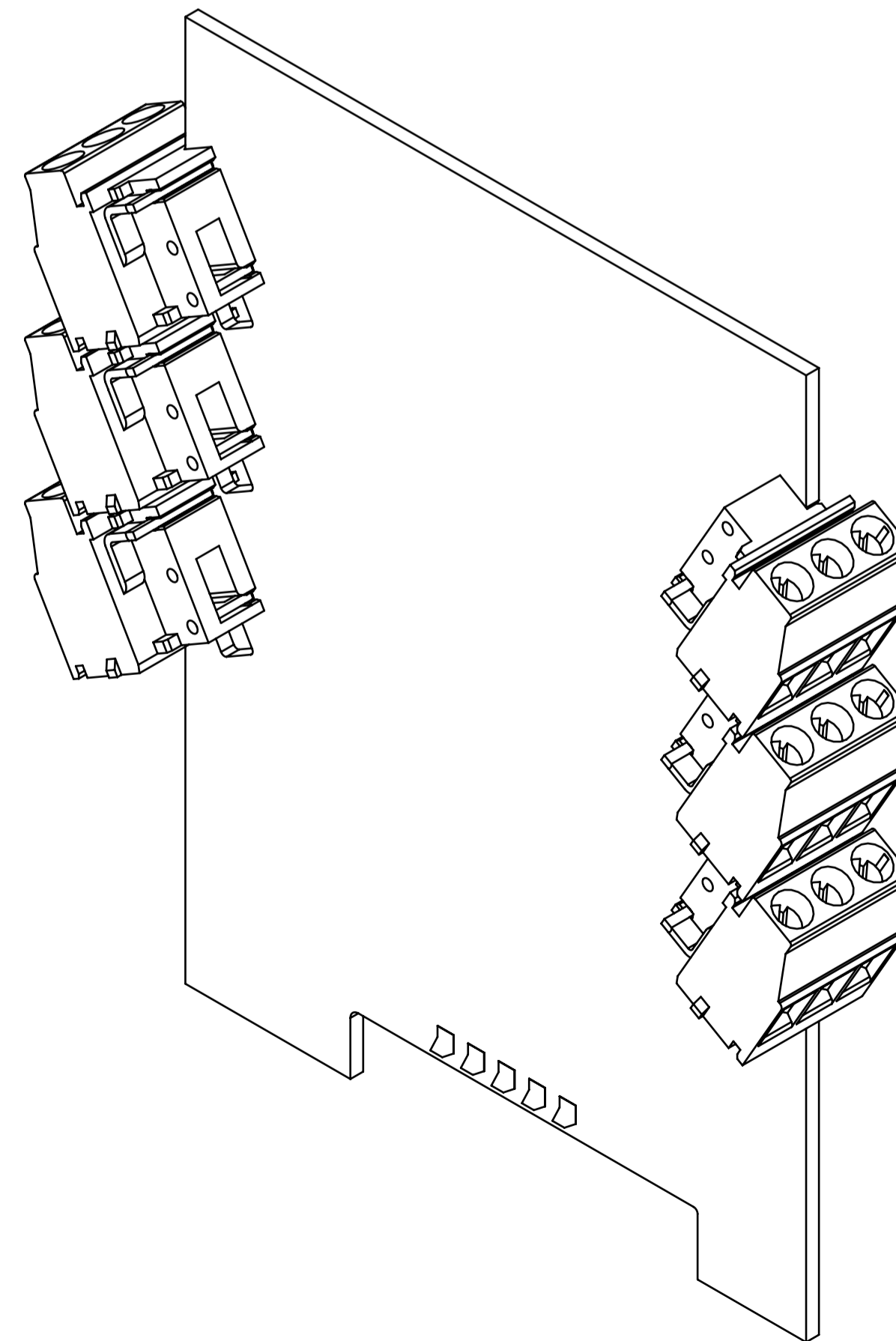
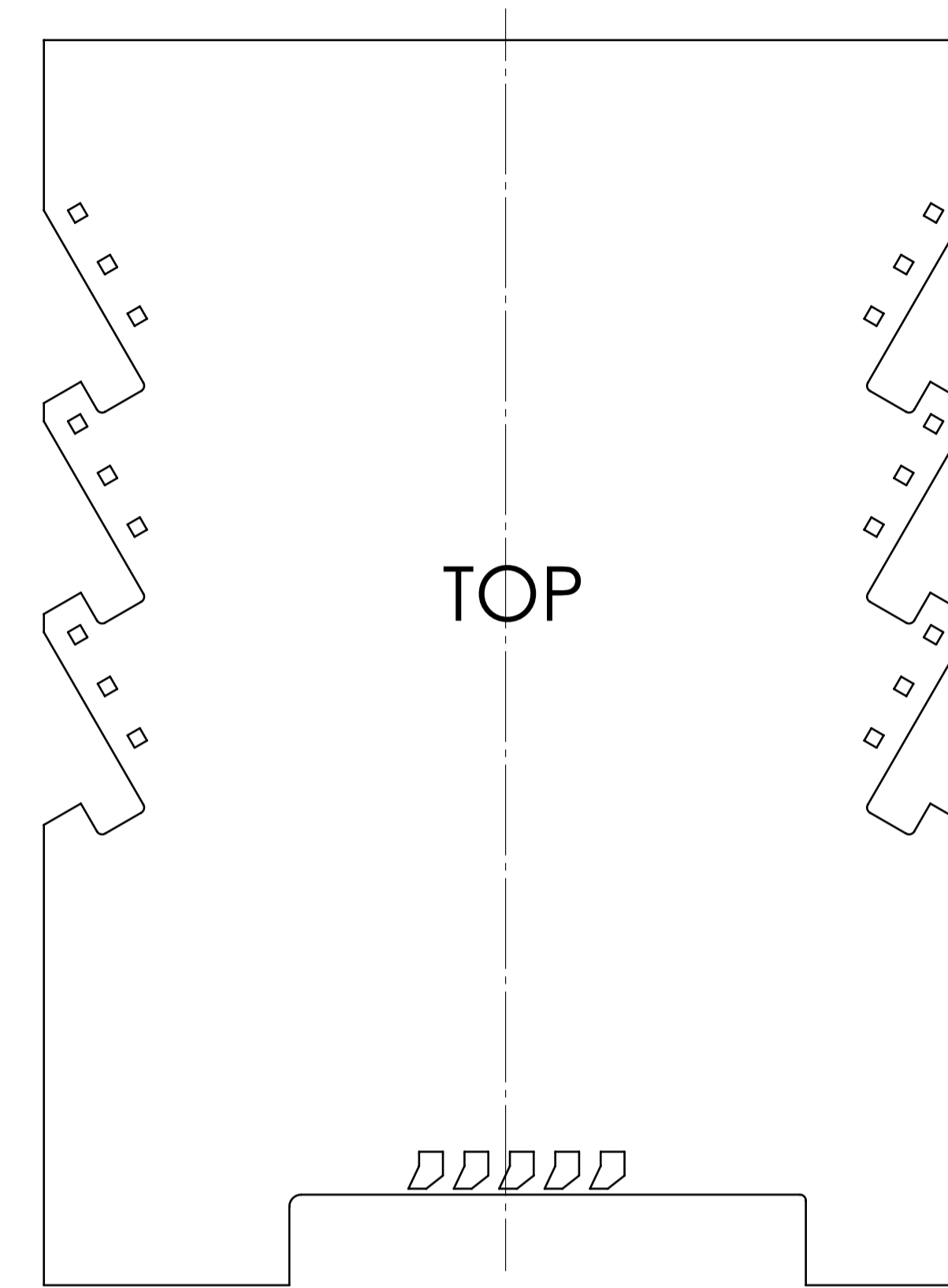
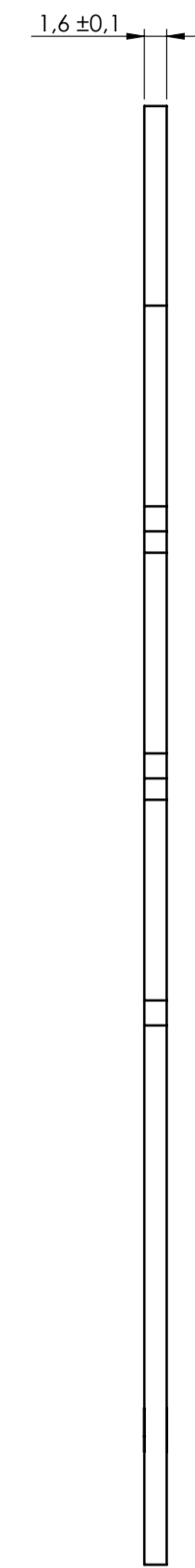
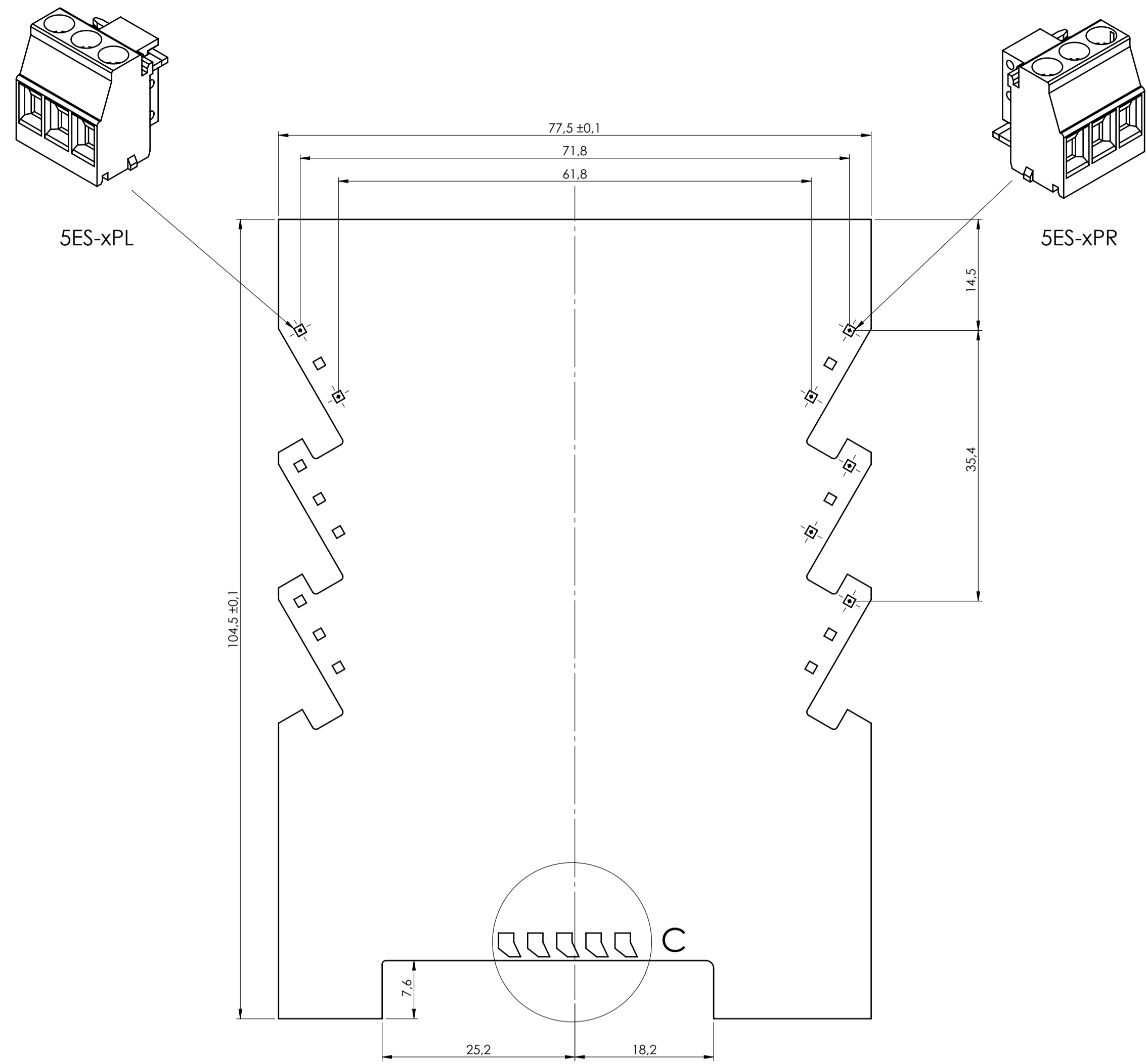


5EH-xPR




General Tolerance UNE EN 22768/1 Media (m)					Sheet:
from 0,5 to 3 ± 0,1	from 3 to 6 ± 0,1	from 6 to 30 ± 0,2	from 30 to 120 ± 0,3	from 120 to 400 ± 0,5	PCB PLUG-IN
Scale:	2:1	Drawn:	M.S.	Checked:	R.N.
Dimension in mm	---	Replaces the:	---	Date:	23/10/2023
		Derived from:	---	Material:	---
		Weight:	gr	Cod. Mold:	---
Description: KIT RAILBOX enclosures for electronics itatronic.com					Drawing nr.: 3_110_00003
				Rev.:	1
					A1

PCB V FIX



DETAIL C
SCALE 4 : 1

General Tolerance UNE EN 22768 / Media (m)					Sheet:
from 0.5 to 3 ± 0.1	from 3 to 6 ± 0.1	from 6 to 30 ± 0.2	from 30 to 120 ± 0.3	from 120 to 400 ± 0.5	PCB FIX
Scale:	Drawn:	Checked:	Date:	Material:	Process:
2:1	M.S.	R.N.	23/10/2023		
Dimension in mm	Replaces the:		Derived from:	Weight:	Cod. Mold:
	-			gr	-
 Description: KIT RAILBOX enclosure for electronics itatronic.com					Rev:
Drawing nr.: 3_110_00003					1
					A1