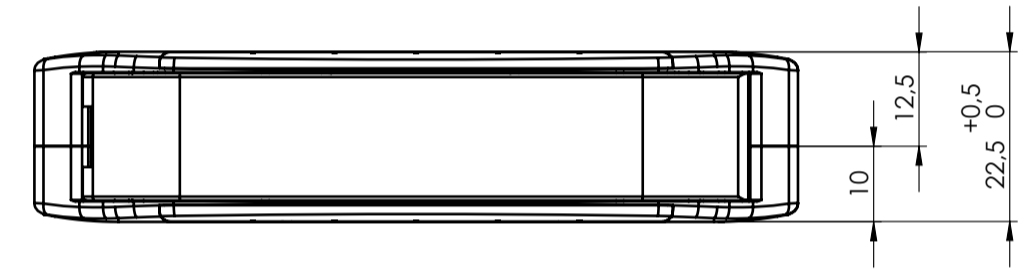
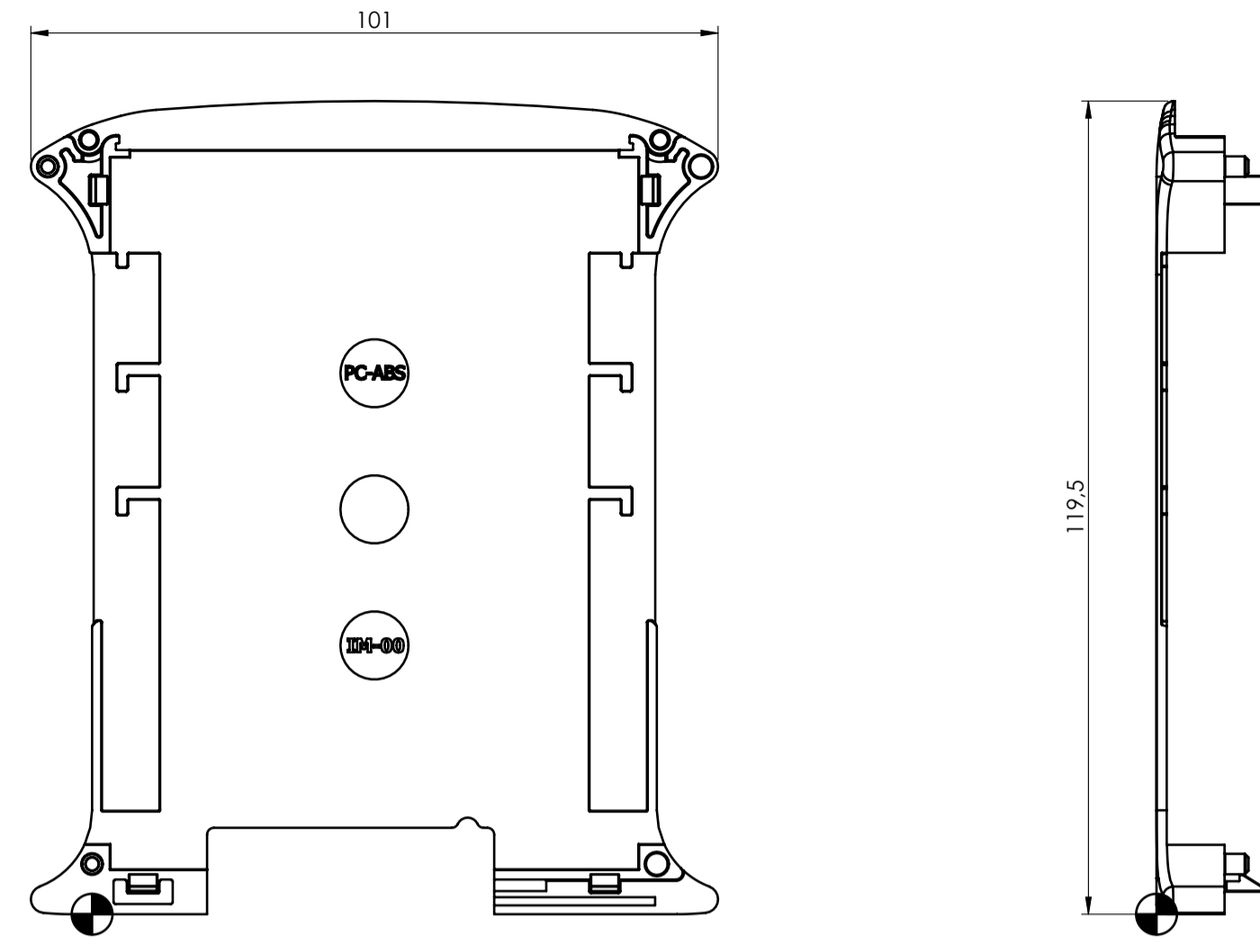


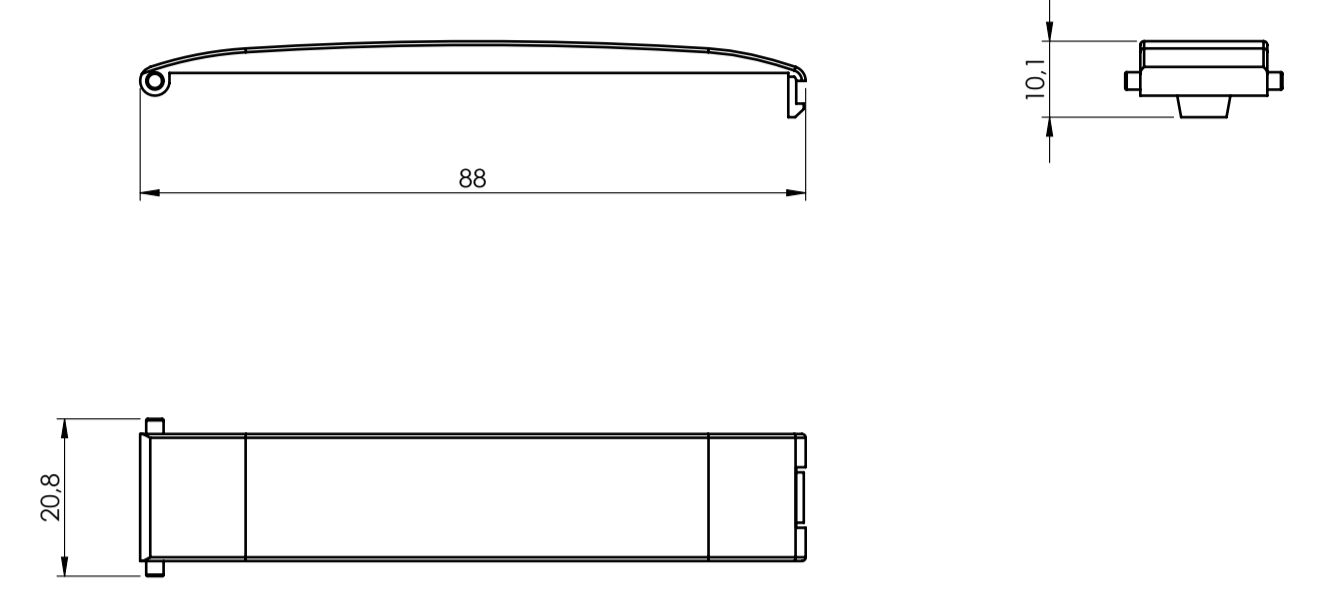
SECTION A-A



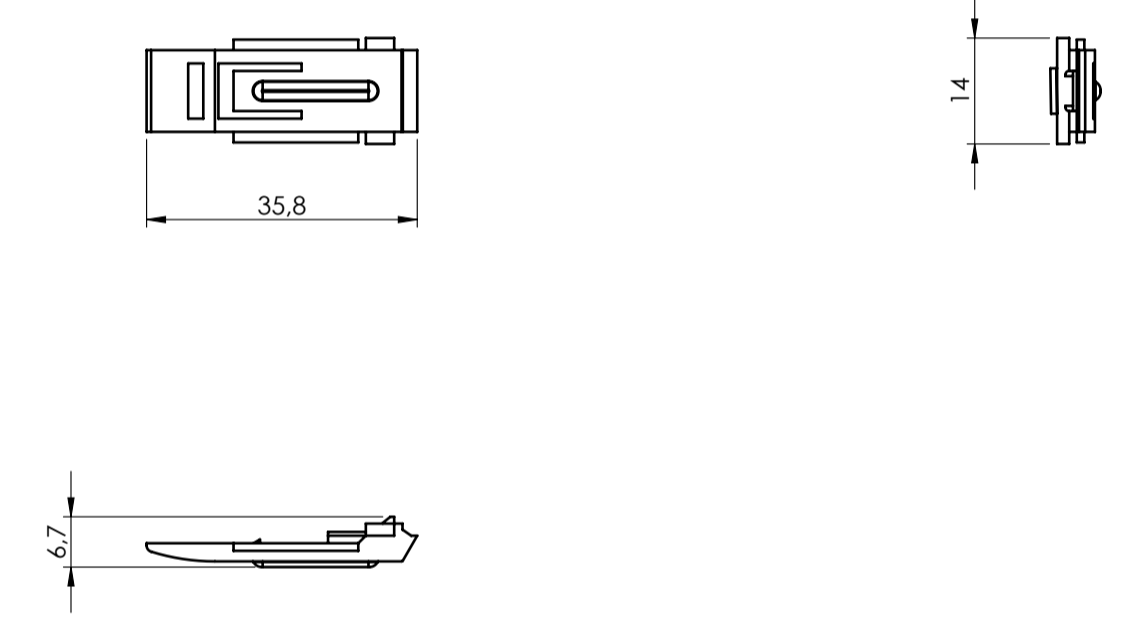
COVER RAILBOX



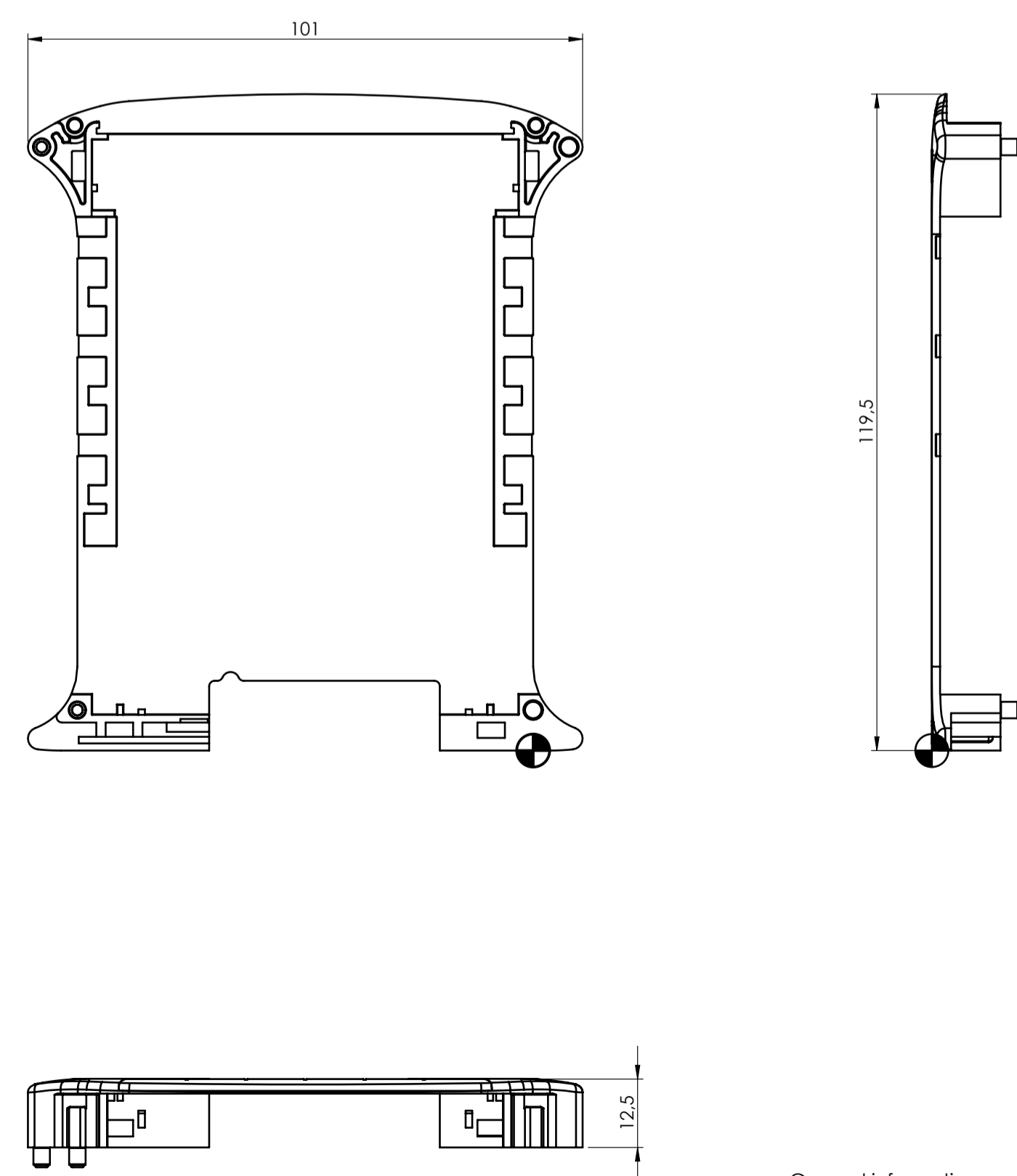
HINGED PANEL



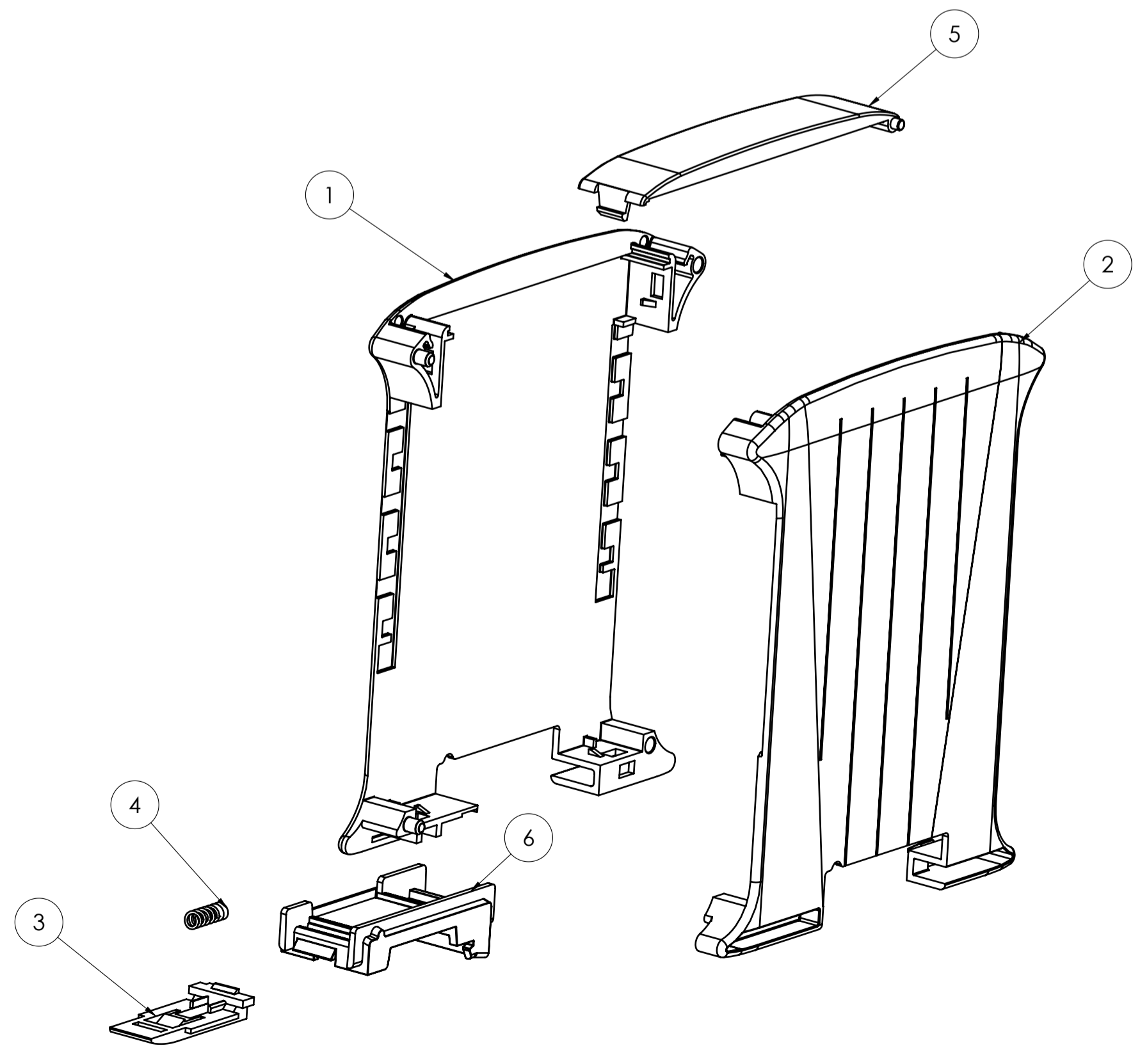
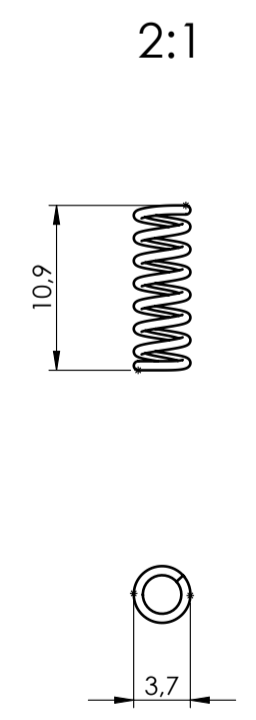
HOOK



BASE RAILBOX



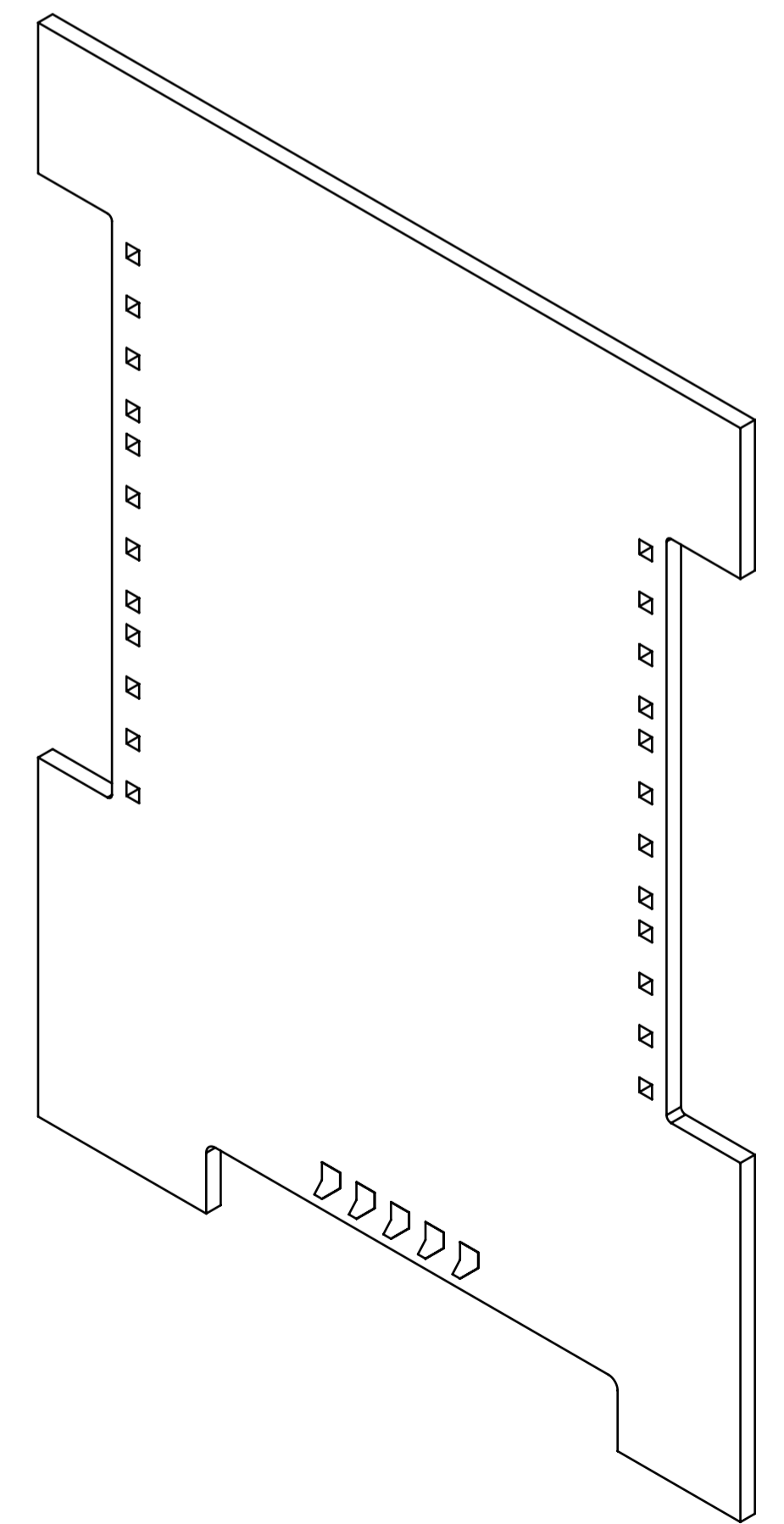
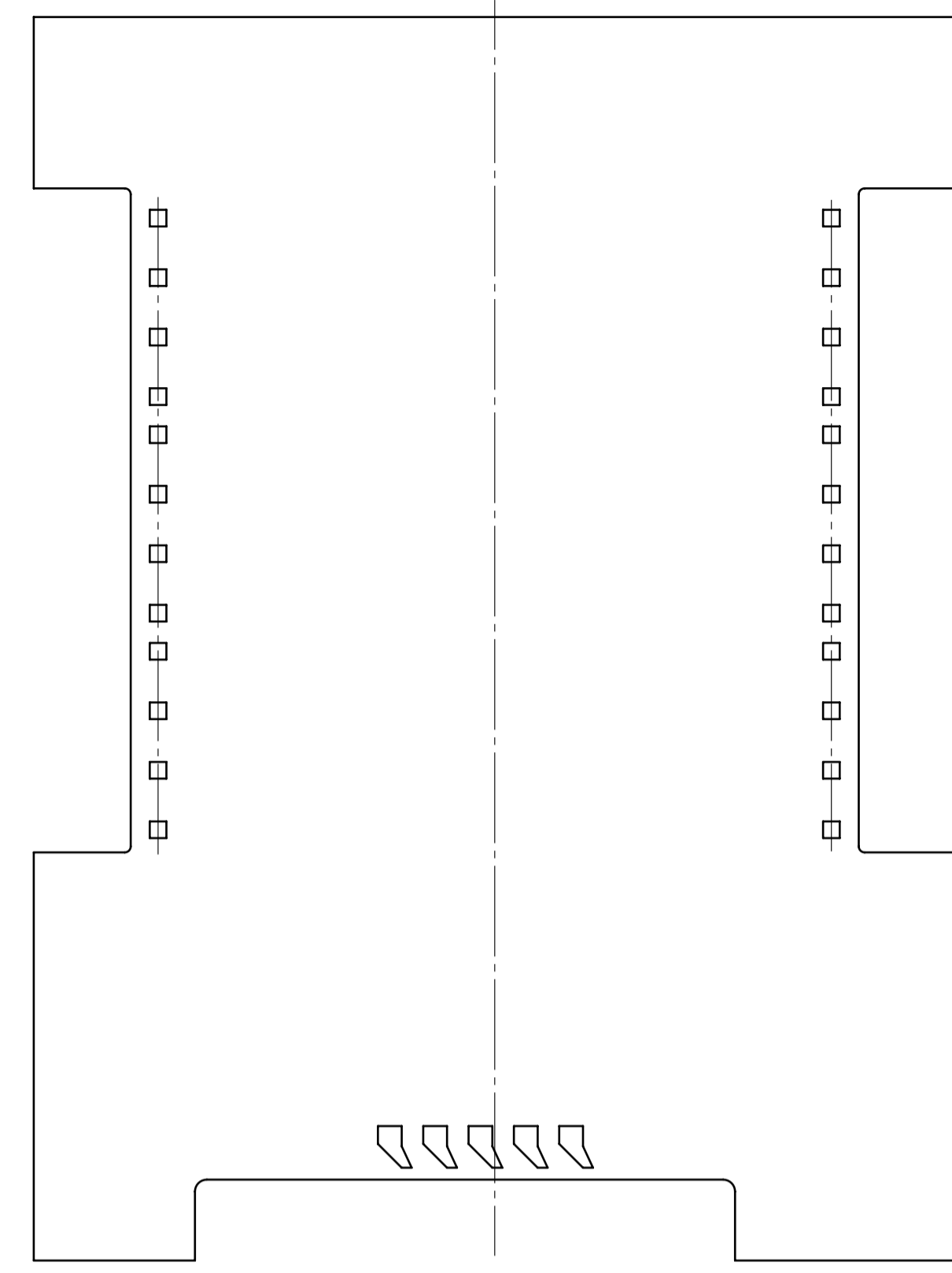
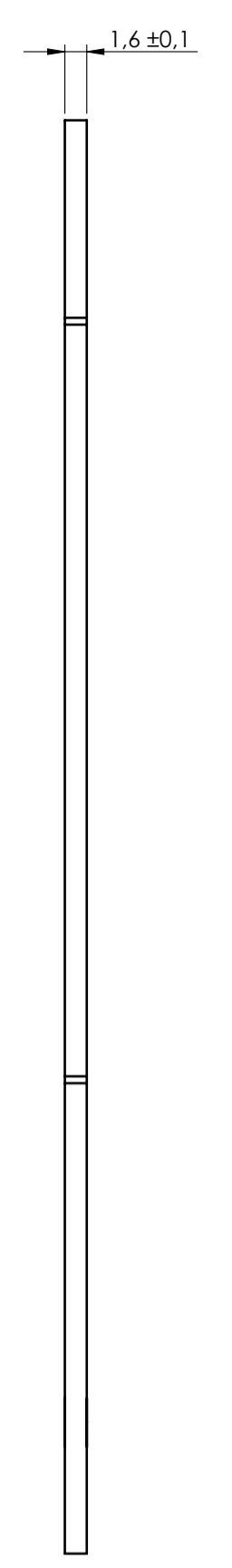
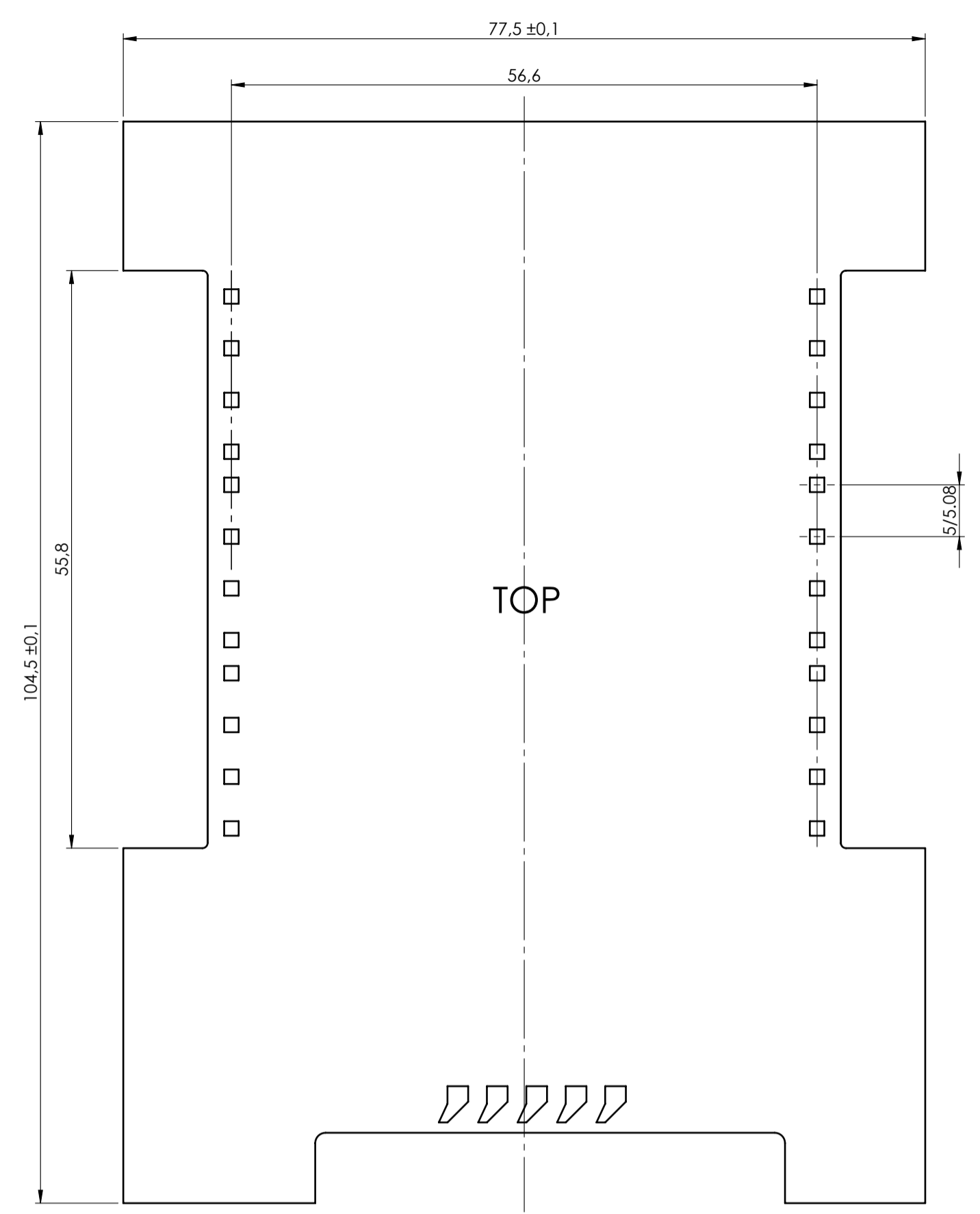
SPRING



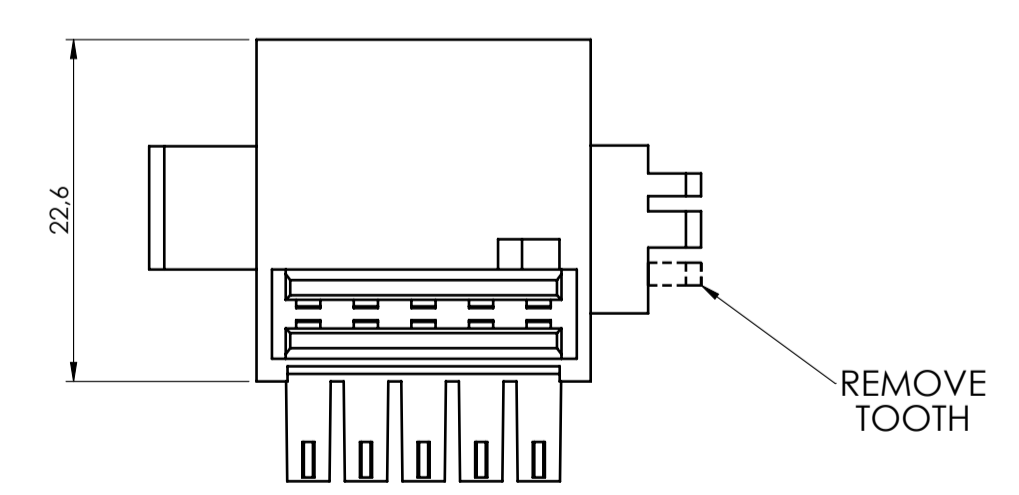
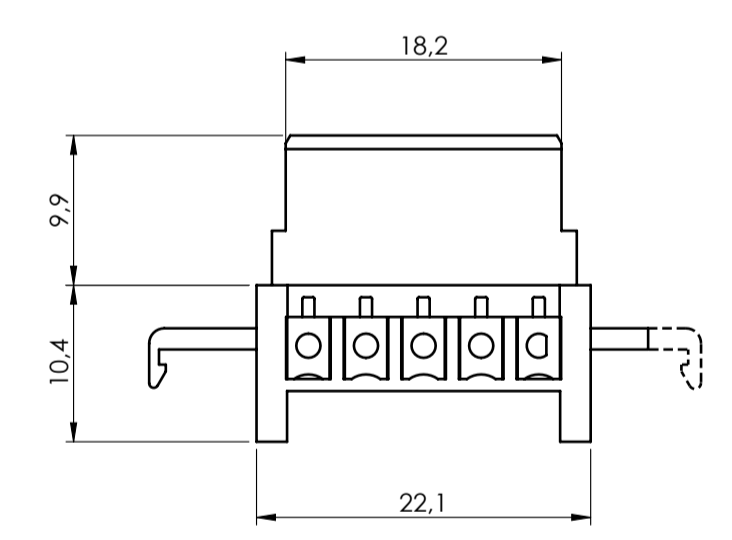
General information:
 ● Workpiece zero point for mechanical processing
 - Minimum recommended radius for machining = R1.0 mm
 - Mounting rail like EN 60715: TH 35-15
 - Recommended PCB outline on www.italtronic.com

RIF.	Q.TY	DRAWING	DESCRIPTION
1	1	2_110_00012	BASE RAILBOX MULTILEVEL PLUG-IN AND FIX 12.5 MM BUS
2	1	2_110_00021	COVER RAILBOX MULTILEVEL PLUG-IN AND FIX 10 MM BUS
3	1	2_110_00010	HOOK RAILBOX FOR CONNECTION BUS
4	1	2_110_00011	SPRING FOR HOOK RAILBOX
5	1	2_110_00072	FRONT HINGED TRANSPARENT PANEL 17 MM
6	1	2_110_00076	BUS ACCESSORY 22.5MM CLOSED RED

Scale:	1:1	1:1	1:1	1:1	1:1	1:1
Dimension in mm	from 0.5 to 3	from 3 to 6	from 6 to 30	from 30 to 120	from 120 to 400	Sheet: 1
Scale:	±0.1	±0.1	±0.2	±0.3	±0.5	Process: 1
Scale:	1:1	M.S.	R.N.	13/11/2023	Weight:	Cod. Mod:
Scale:	1:1	M.S.	R.N.	13/11/2023	Weight:	Cod. Mod:



CONNECTOR TBUS COMPATIBLE



Italtronic s.r.l. does not provide the TBUS connector but only the predisposition of the enclosure.

General Tolerance IIR EN 22768/1 Media [m]				Sheet:	
from 0.5 to 3 ± 0.1	from 3 to 6 ± 0.1	from 6 to 30 ± 0.2	from 30 to 120 ± 0.3	from 120 to 400 ± 0.5	PCB
Scale: 1:1	Drawn: M.S.	Checked: R.N.	Date: 13/11/2023	Material:	Process:
Dimension in mm	Replaces the: R-03457-00	Derived from:	Weight: gr	Cod. Mold:	
Description: KIT RAILBOX MULTILEVEL PLUG-IN E FIX 22.5 MM BUS KIT RAILBOX MULTILEVEL PLUG-IN AND FIX 22.5 MM BUS				Rev: 00 A1	
 italtronic.com 3_110_00007				NO COMPONENTS AREA	