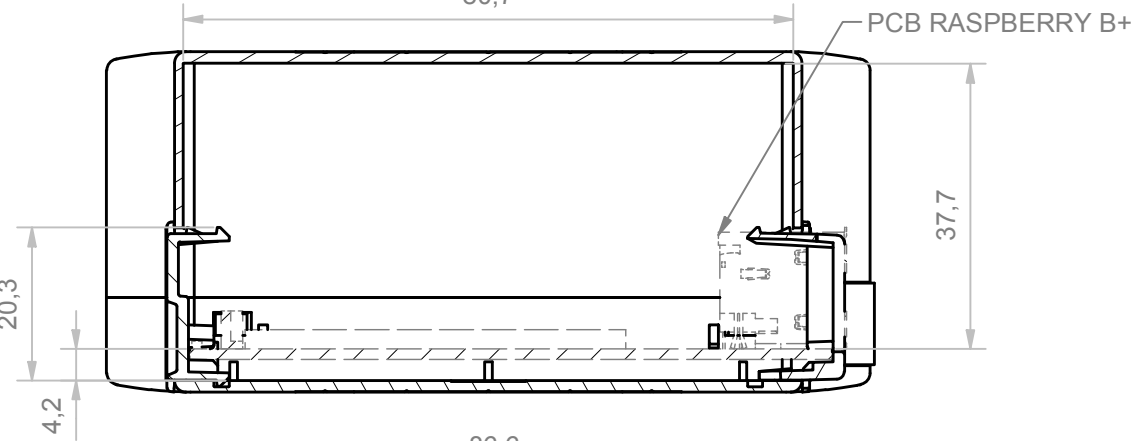
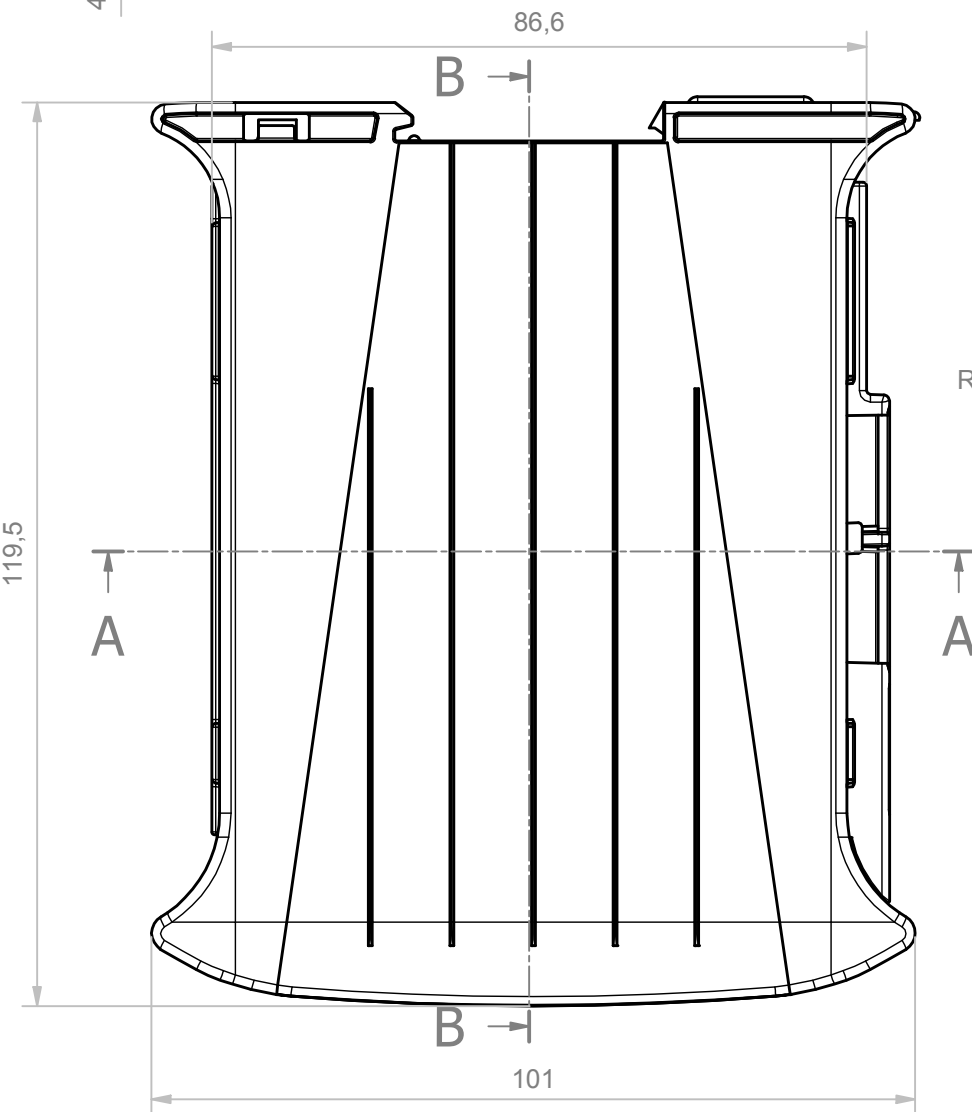


A-A (1:1)

80,7



PCB RASPBERRY B+

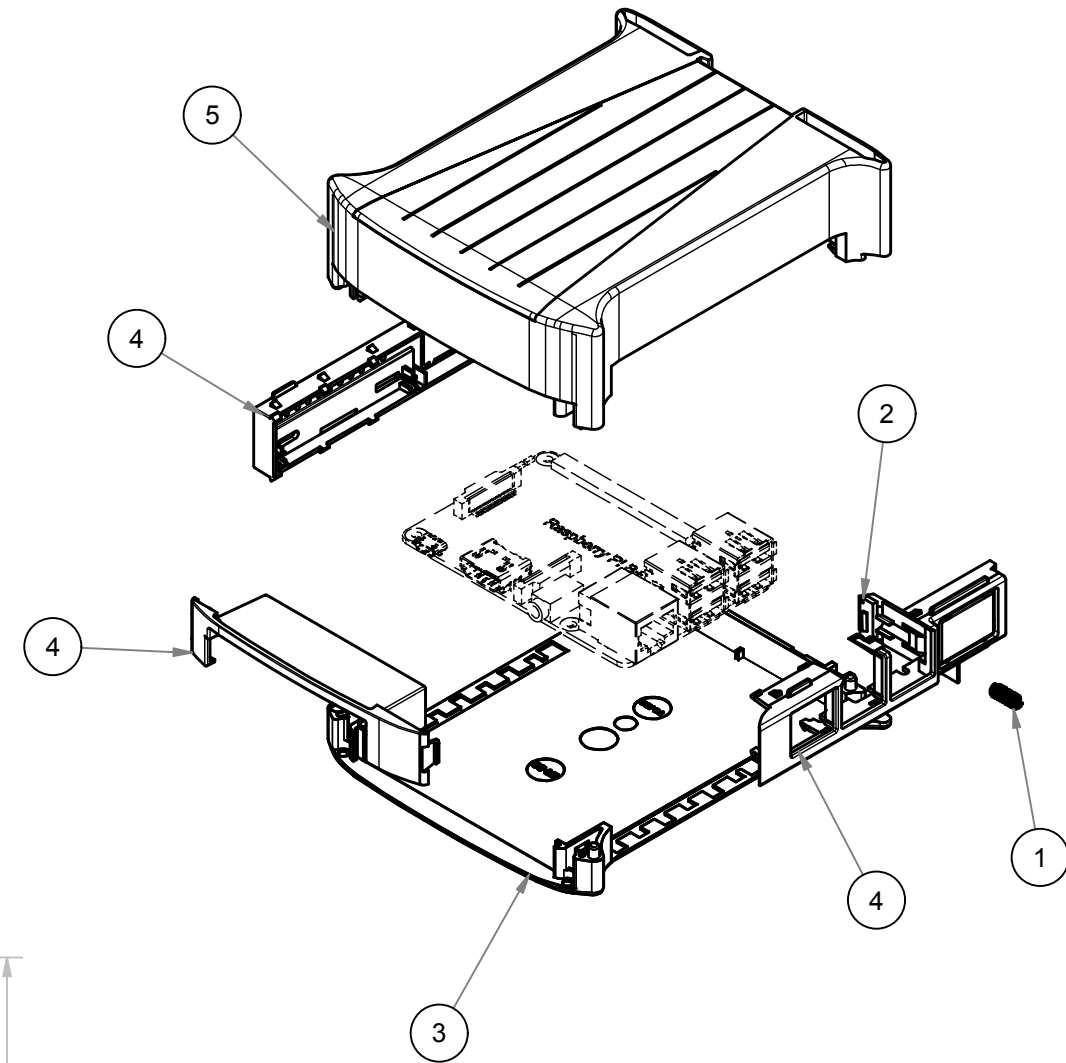
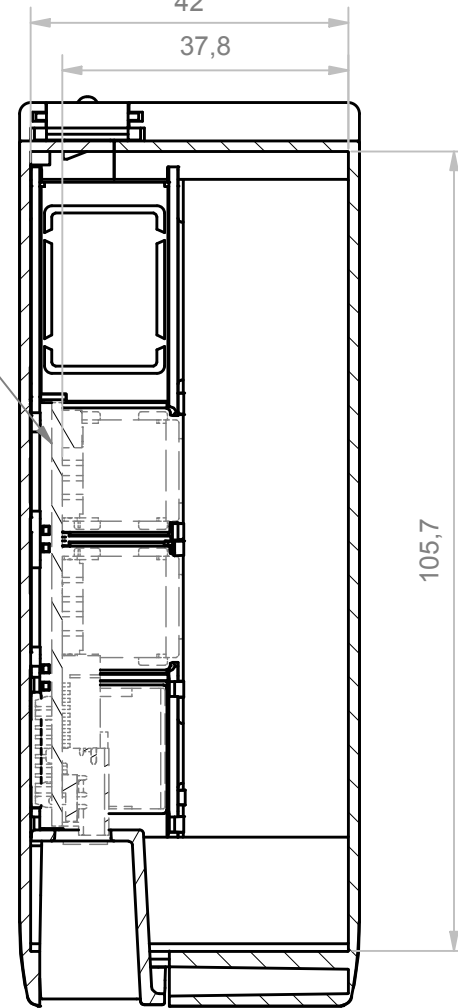


B-B (1:1)

42

37,8

PCB RASPBERRY B+



RIF.	Q.TY	DESCRIPTION	CODE
1	1	MOLLA - SPRING	P1000000M
2	1	RED HOOK RAILBOX	R-00249
3	1	BASE RAILBOX 12.5 MM 3L	R-03429
4	1	KIT ACCESSORIES FOR RASPBERRY B + RAILBOX	R-05914
5	1	COVER RAILBOX 32.5 MM 3L STANDARD PANEL	R-03495

General Tolerance UNI EN 22768/1 Media (m)									
da 0.5 a 3	da 3 a 6	da 6 a 30	da 30 a 120	da 120 a 400					
± 0.1	± 0.1	± 0.2	± 0.3	± 0.5					
Scale: 1:1	Sheet nr.: 1/1	Drawn: R.N.	Checked: D.M.D.	Date: 18/03/2015	5	4	3	2	1
Dimension in mm					Revision description				
Material:					Cod. Mold:				
Weight:									
Description: KIT 45 RAILBOX RASPBERRY PI B+									
Drawing nr. R-05916-00					Rev.				
www.italtronic.com									
techcare@italtronic.com									

RESERVED PROPERTY: The present drawing cannot be reproduced or communicated to 3rd parties, even partially, without the authorization of ITALTRONIC Srl. Italtronic reserves to protect its own rights according to the law.