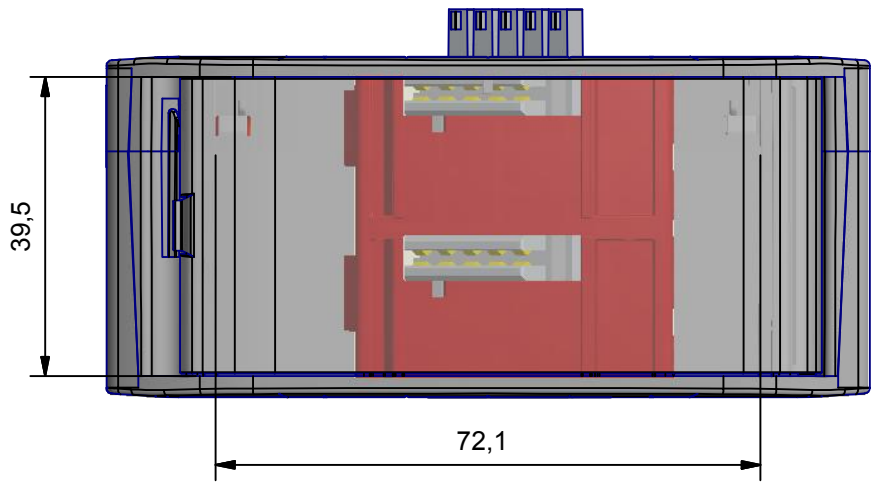
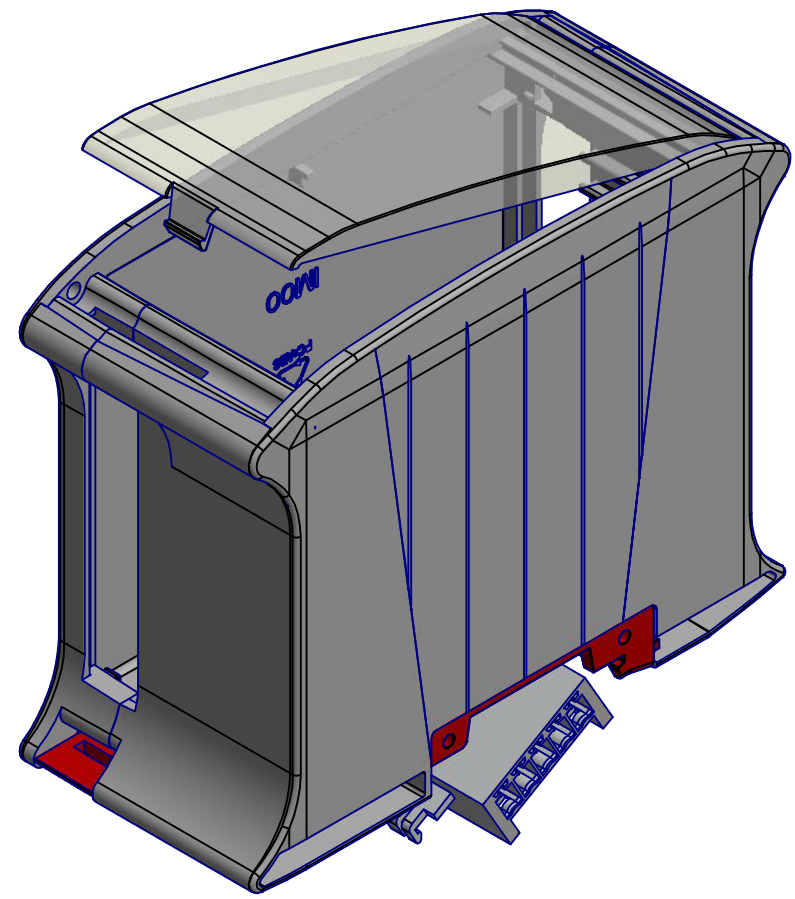
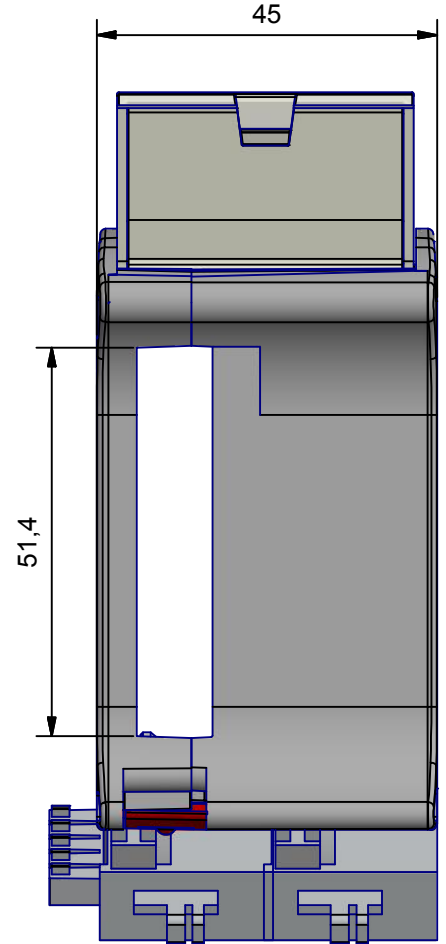
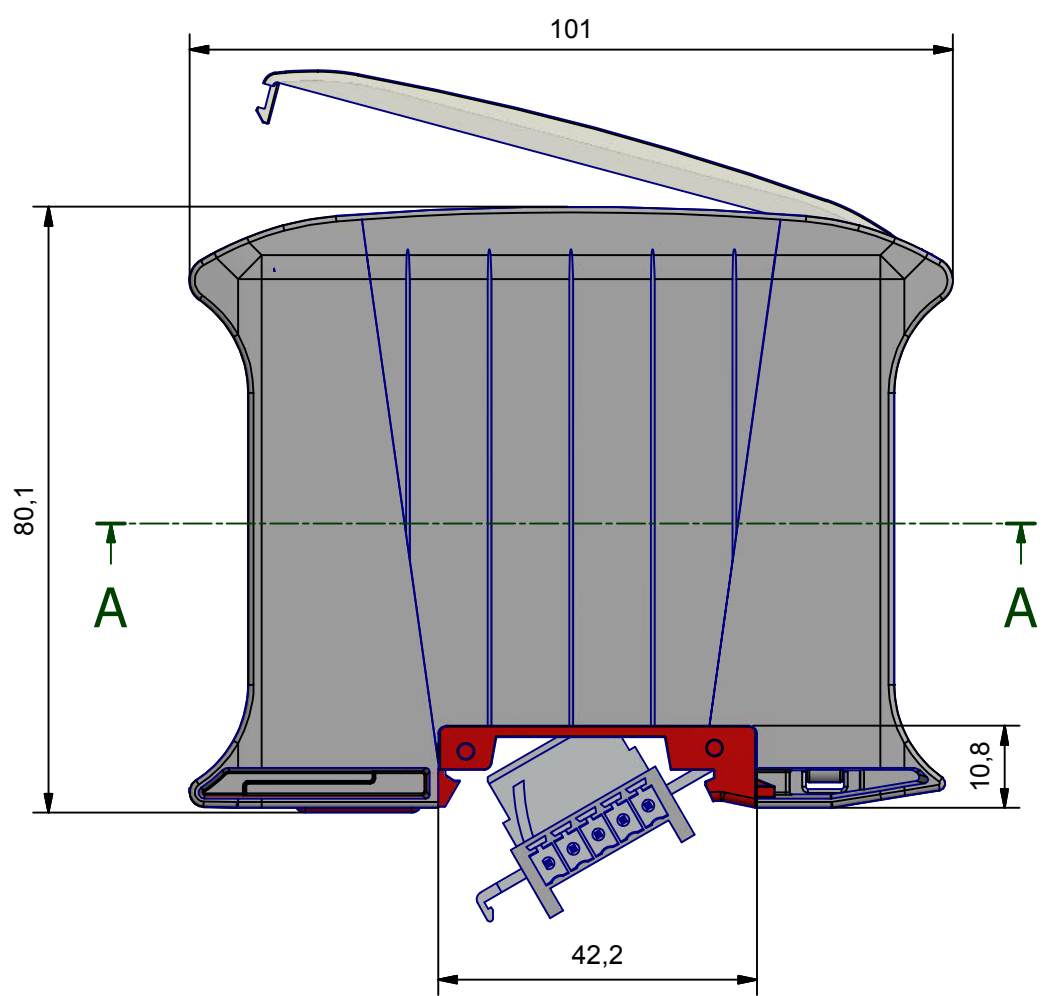
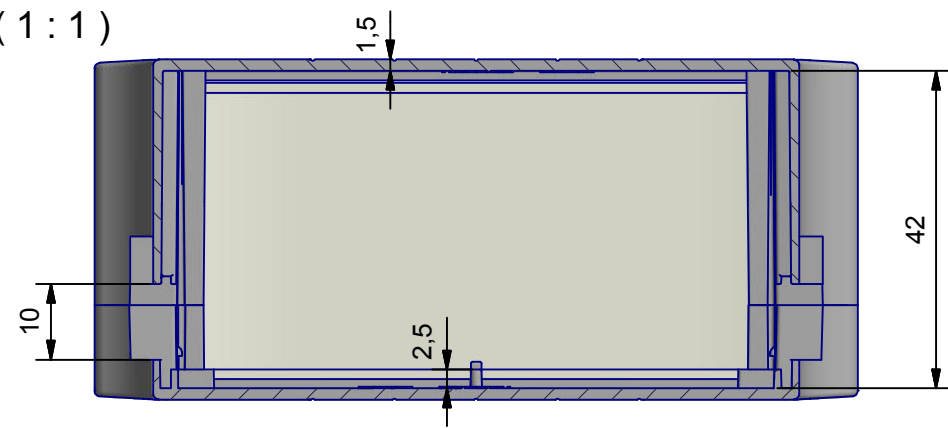


A-A (1:1)



COMPONENTS LIST				
RIF.	Q.TY	DESCRIPTION	CODE	
1	1	MOLLA - SPRING	P10000000M	
2	1	SPORTELLINO FRONTALE TRASPARENTE 39mm - 39mm FRONT HINGED TRANSPARENT	R-02890	
3	1	BASE RAILBOX COMPACT BUS	R-04327	
4	1	COPERCHIO RAILBOX COMPACT 32.5mm BUS - COVER RAILBOX COMPACT 32.5mm BUS	R-04335	
5	1	ACCESSORIO BUS 45 mm - ACCESSORY BUS 45 mm	R-03243	
6	2	CONNETTORI T-BUS 22.5mm - CONNECTORS T-BUS 22.5mm	R-03013	
7	1	AGGANCIAMENTO RAILBOX BUS - HOOK RAILBOX BUS	R-02883	
Da 0,5 a 3		Oltre 3 fino a 6	Oltre 6 fino a 30	Oltre 30 fino a 120
± 0,1		± 0,1	± 0,2	± 0,3
± 0,1		± 0,1	± 0,2	± 0,3
± 0,1		± 0,1	± 0,2	± 0,3
± 0,1		± 0,1	± 0,2	± 0,3

RESERVED PROPERTY The present drawing cannot be reproduced or communicated to 3d parties, even partially, without the authorization of ITALTRONIC Srl. Italtronic reserves to protect its own rights according to the law.	Dimension in mm	SHEET NR.	DRAWING BY	GENERAL TOLERANCE UNI EN 22768/1 Media (m)
		1 / 1		
Date:	09/04/2013	Replace nr.		
Drawn:	Rigato N.	Checked:	Dalla Montà D.	Scale:

UN PARTNER PER IL FUTURO

Denomination:

Contenitore completo Railbox Compact 45 mm BUS

Complete enclosure Railbox Compact 45 mm BUS

VIA AUSTRIA 25/D 35127
PADOVA - ITALY
www.italtronic.com

Drawing nr.

R-04545-00

5	4	3	2	1
Revision description				