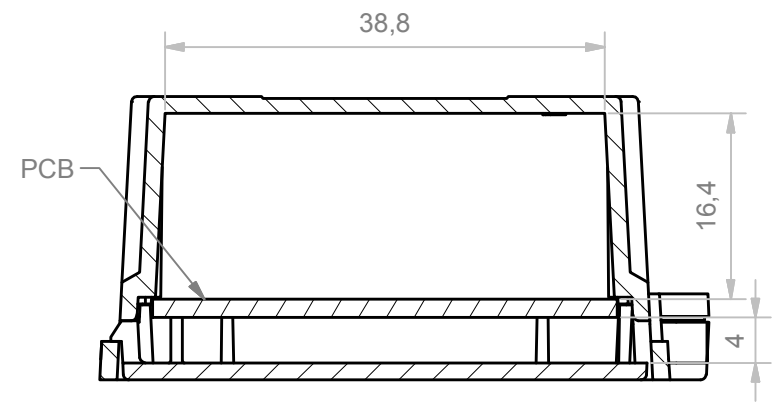
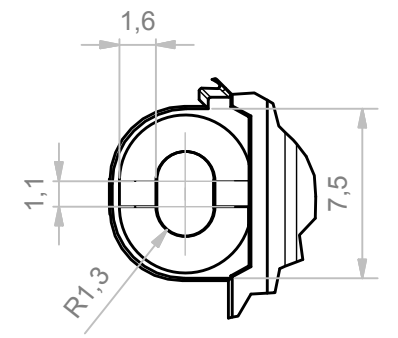


6 | 5 | 4 | 3 | 2 | 1

A-A

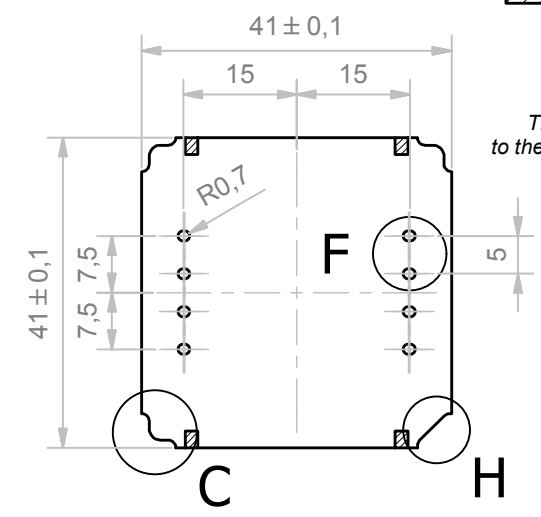


E

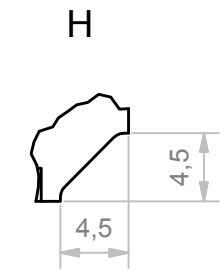


PCB

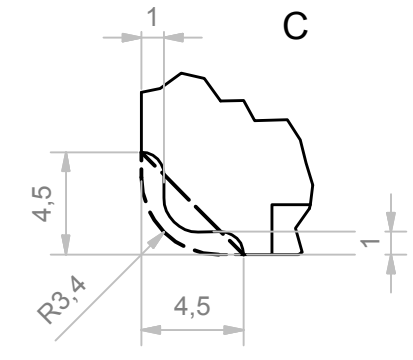
No components zone in the solder side



These dimensions refer to the terminal Sauro MSM\_001

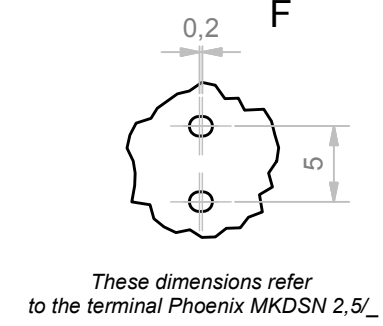


C

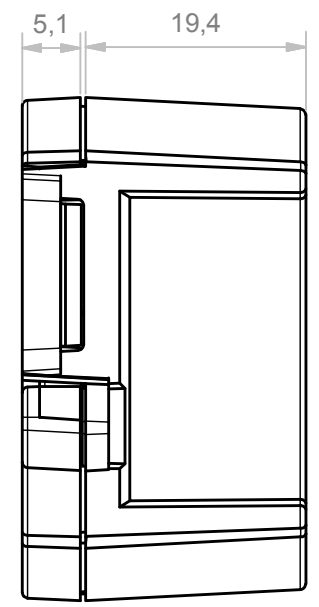
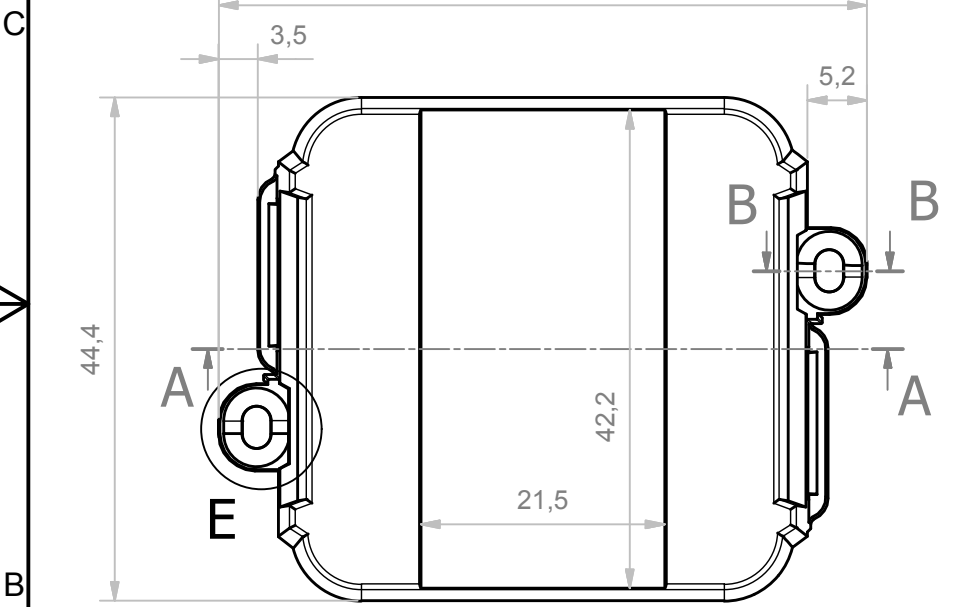
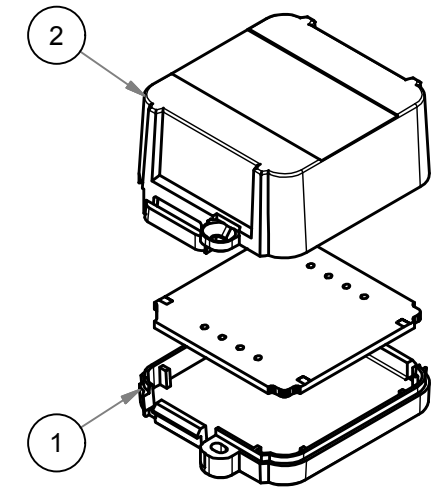


OTHER SOLUTIONS PCB

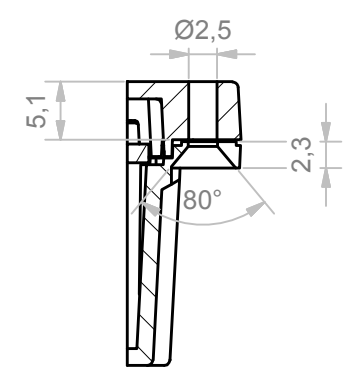
F



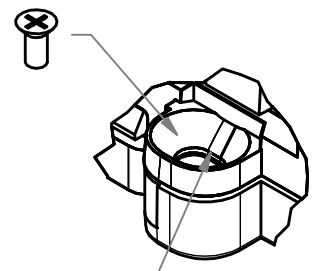
These dimensions refer to the terminal Phoenix MKDSN 2,5/\_



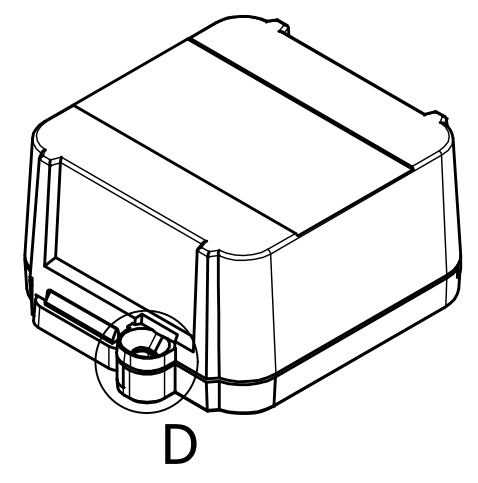
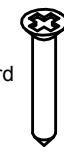
B-B



Self-tapping screws countersunk head d2.9x6.5 mm



Screws for pressed wood or chipboard d2.5 mm for dowel fixing to wall



COMPONENTS LIST

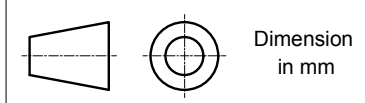
RIF.	Q.TY	DESCRIPTION	CODE
1	1	BASE CBOX EURO INT D60	C-05899
2	1	COVER CBOX EURO INT D60 H25 CLOSED	C-06321

Da 0,5 a 3	Oltre 3 fino a 6	Oltre 6 fino a 30	Oltre 30 fino a 120	Oltre 120
± 0,1	± 0,1	± 0,2	± 0,3	± 0,5

RESERVED PROPERTY

The present drawing cannot be reproduced or communicated to 3d parties, even partially, without the authorization of ITALTRONIC Srl. Italtronic reserves to protect its own rights according to the law.



Dimension in mm

SHEET NR.  
1 / 1

DRAWING BY  
 Manual modification are not allowed

GENERAL TOLERANCE  
**UNI EN 22768/1**  
**Media (m)**

Date: 06/11/2015

Replace nr.

Drawn: Rigato N.

Checked: Dalla Montà D.

Scale:

5	4	3	2	1
---	---	---	---	---

Revision description



Denomination:  
**CONTENITORE CBOX EURO D60 H25 CHIUSO**  
**ENCLOSURE CBOX EURO D60 H25 CLOSED**

ITALTRONIC S.R.L.  
VIA AUSTRIA 25/D 35127  
PADOVA - ITALY  
www.italtronic.com

Drawing nr.  
**C-06352-00**

6 | 5 | 4 | 3 | 2 | 1