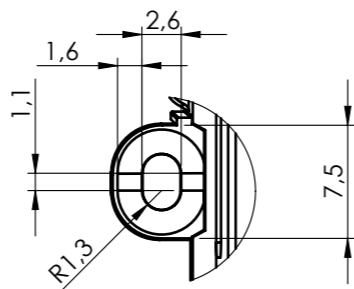
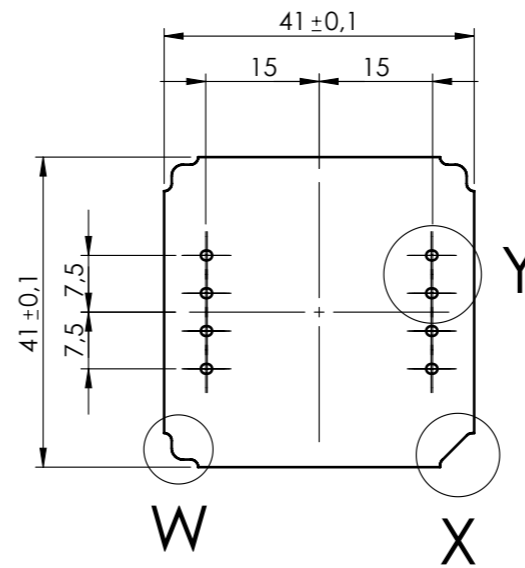


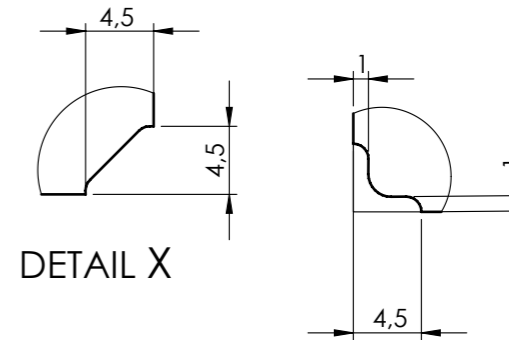
SECTION Q-Q
SCALE 1 : 1



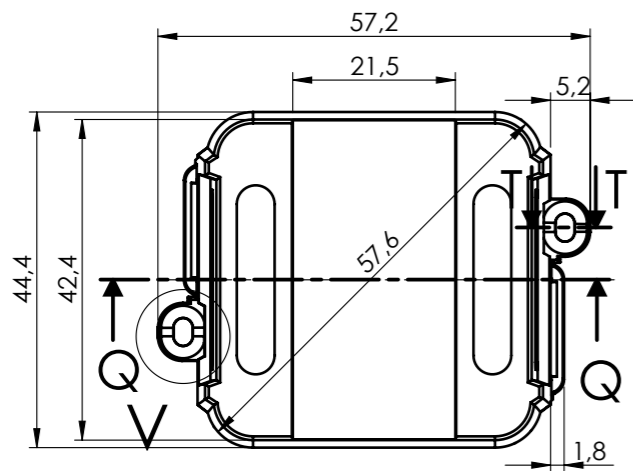
DETAIL V



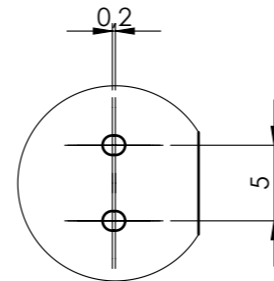
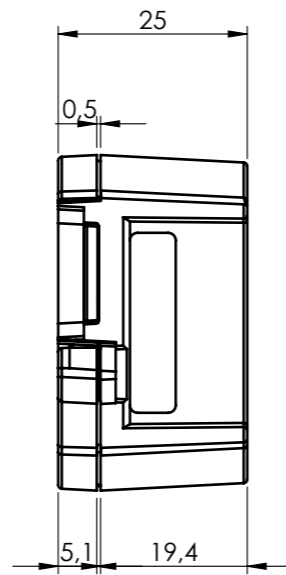
W X Y



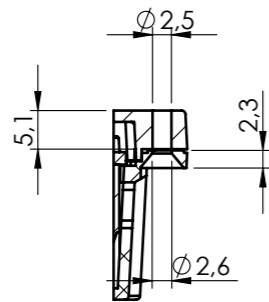
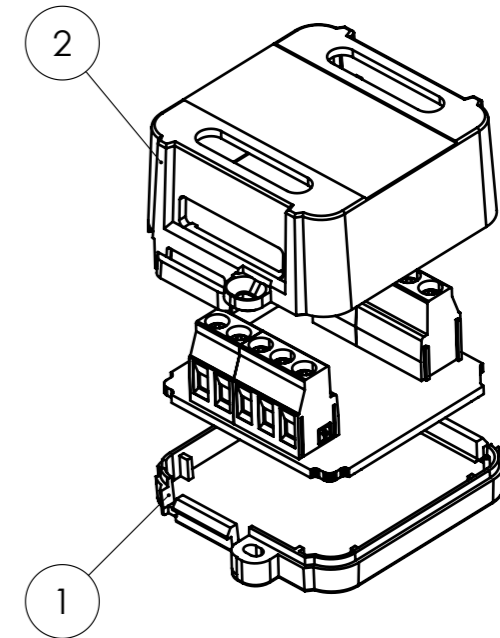
DETAIL X



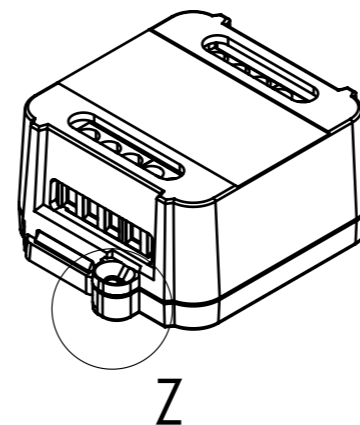
SECTION T-T
SCALE 1 : 1



DETAIL Y

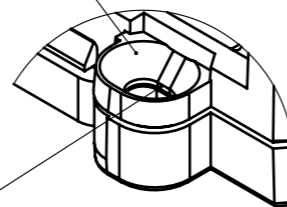


Self-tapping screws
countersunk head
d2.9x6.5



Z

Screws for pressed
wood or chipboard
d2.5 mm for dowel
fixing to wall



DETAIL Z

RIF.	Q.TY	DRAWING	DESCRIPTION
1	1	2_040_00006	BASE CBOX EURO INT D60
2	1	2_040_00008	COVER CBOX INT D60 H25 PITCH 5 10 POLES
General Tolerance UNI EN 22768/1 Media (m)			
from 0.5 to 3 ± 0.1	from 3 to 6 ± 0.1	from 6 to 30 ± 0.2	from 30 to 120 ± 0.3
			from 120 to 400 ± 0.5
Scale:	Drawn:	Checked:	Date:
2:1	R.N.	R.N.	29/01/2021
Material:	Process:	Weight:	Cod. Mold:
---	---	gr	---
Description:		Derived from:	
CONTENITORE CBOX EURO D60 H25 5 POLI ENCLOSURE CBOX INT EURO D60 H25 5 POLES		---	
Drawing nr.:		Rev.:	
3_040_00005		00 A3	