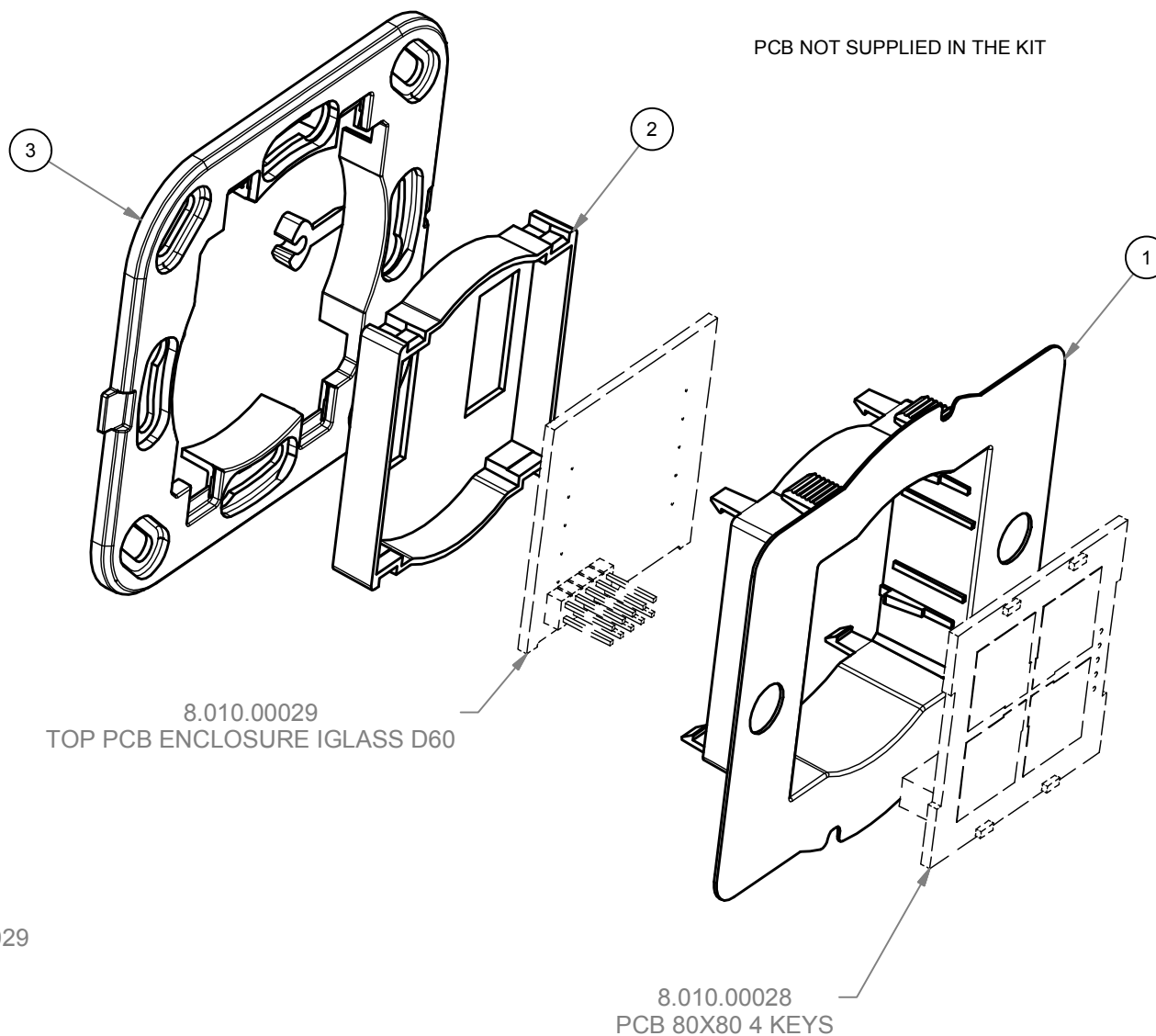
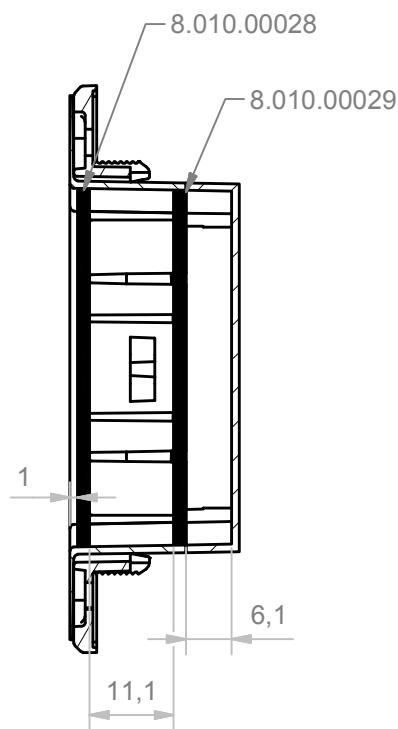


B-B (1 : 1)



RIF.	Q.TY	DESCRIPTION	DRAWING
1	1	BODY ENCLOSURE D60 H20	2.020.00002
2	1	BACK COVER WITH HOOKS FOR ENCLOSURE D60	2.020.00004
3	1	FRAME FOR ELECTRICLA ENCLOSURE D60 TYPE	2.020.00001

General Tolerance UNI EN 22768/1 Media (m)				
from 0.5 to 3	from 3 to 6	from 6 to 30	from 30 to 120	from 120 to 400
± 0.1	± 0.1	± 0.2	± 0.3	± 0.5
Scale: 1 : 1	Sheet nr.: 1 / 1	Drawn: N.R.	Checked: F.F.	Date: 22/08/2018
Dimension in mm		Material:	Weight:	Cod. Mold:
		Description: KIT CONTENITORE 80X80 D60 H20 KIT ENCLOSURE 80X80 D60 H20		
		Drawing nr. 3.020.00003		Rev. 01
		www.italtronic.com techcare@italtronic.com		

29/08/2018 N.R. Updated cartouche with new code (code passed C-05077-00)

RESERVED PROPERTY: The present drawing cannot be reproduced or communicated to 3rd parties, even partially, without the authorization of ITALTRONIC Srl. Italtronic reserves to protect its own rights according to the law.