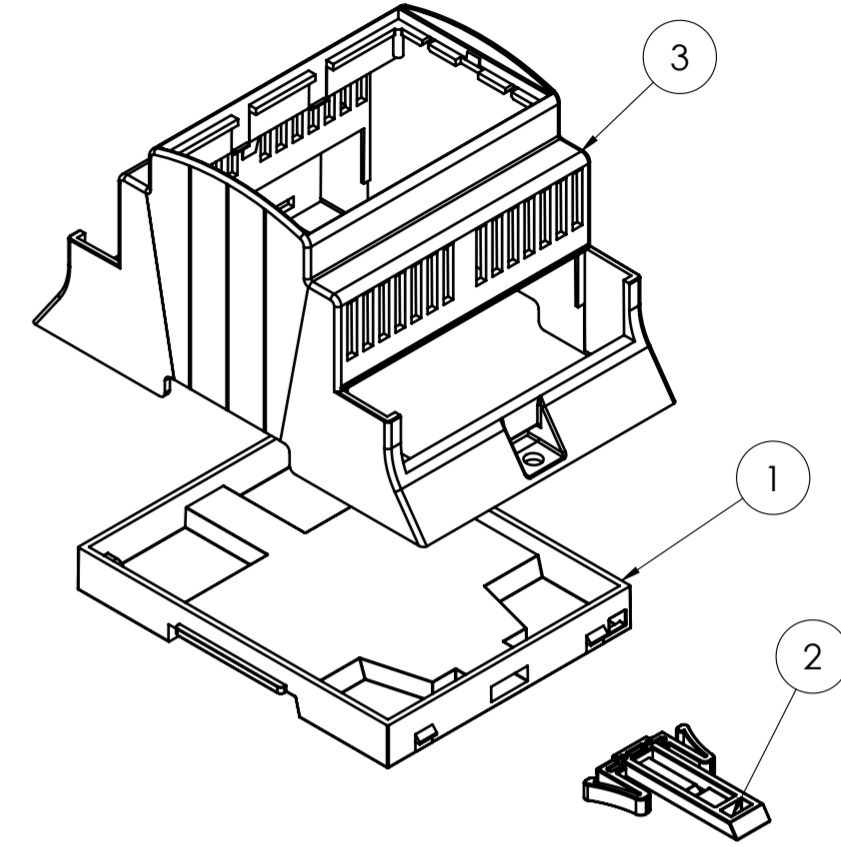
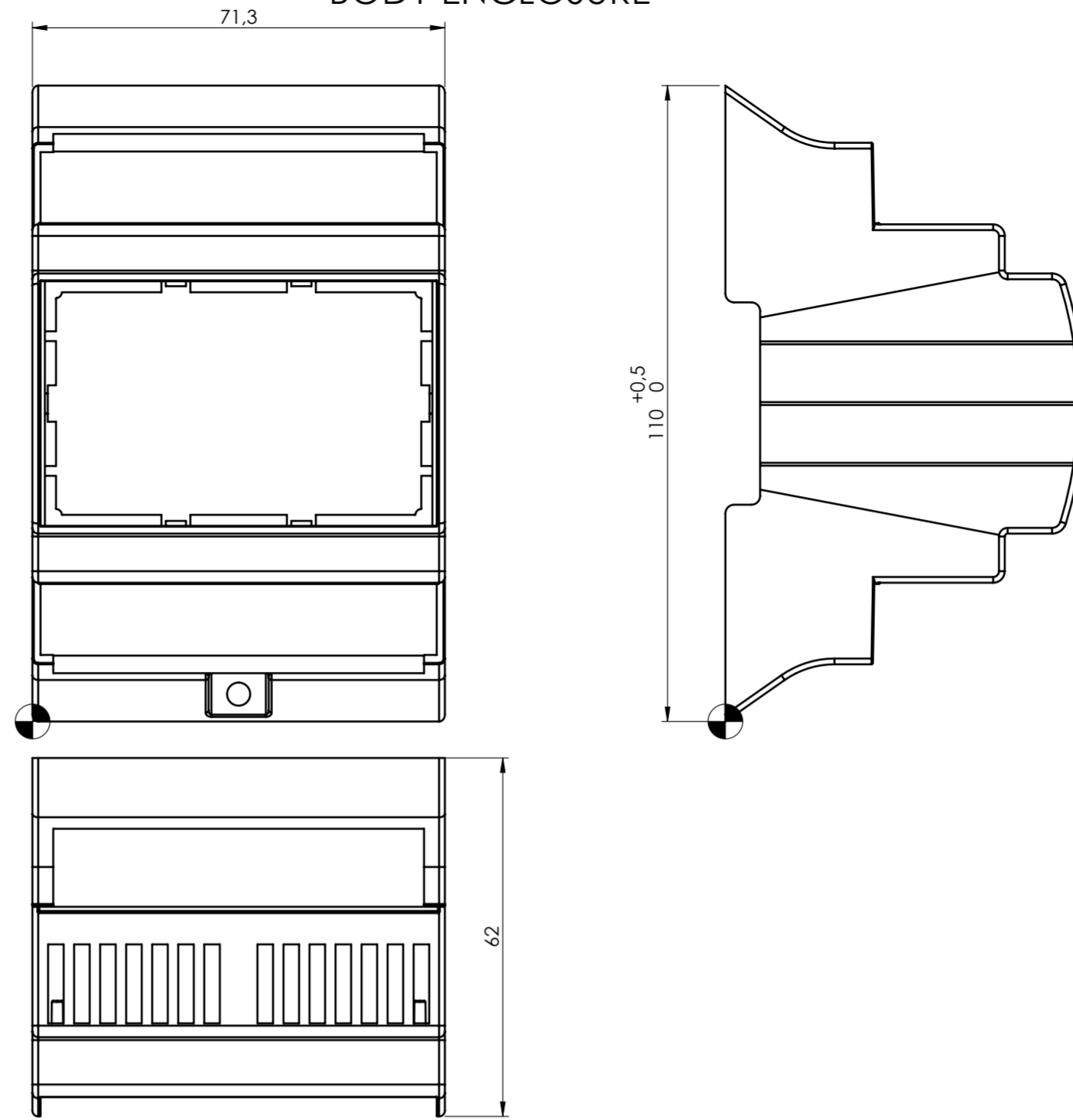
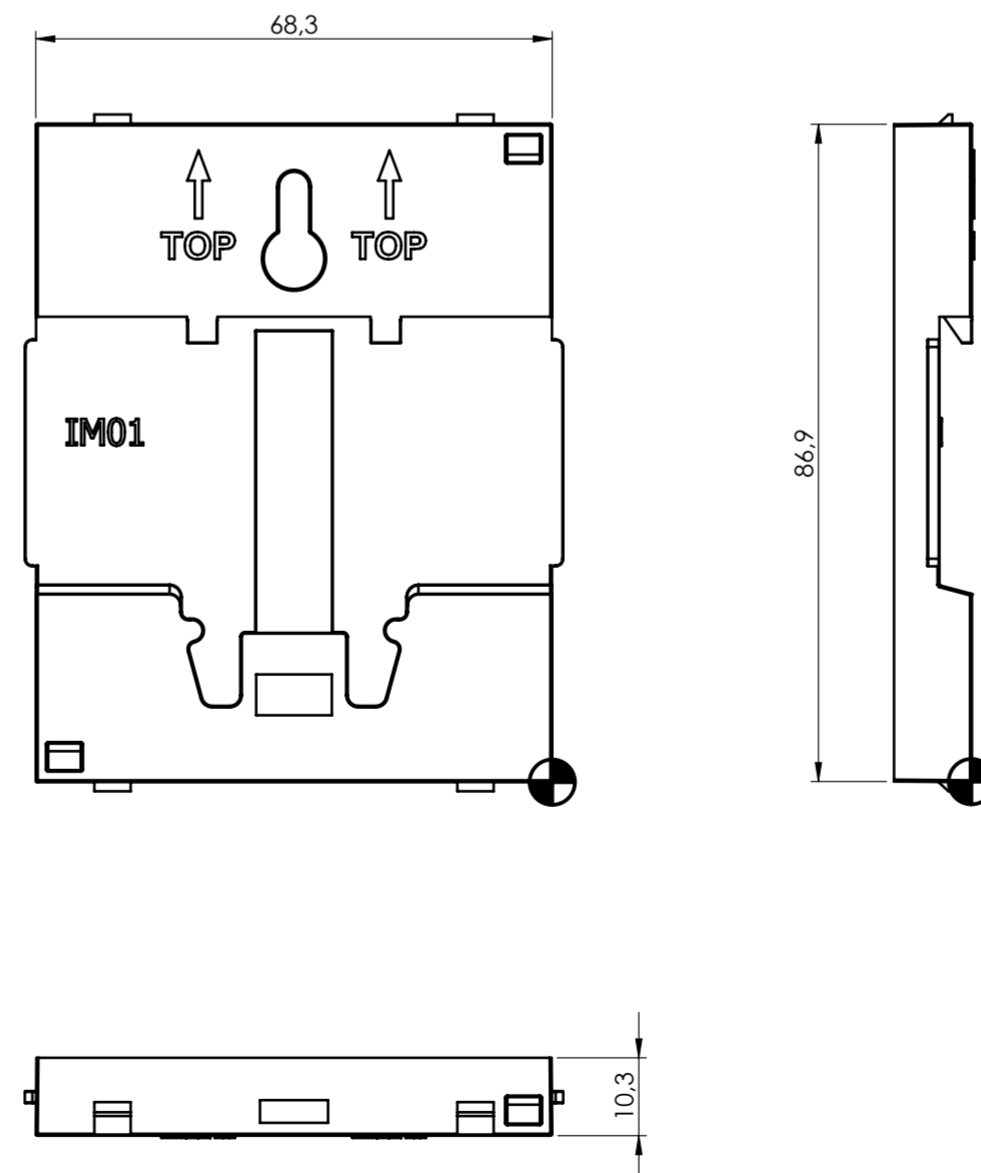


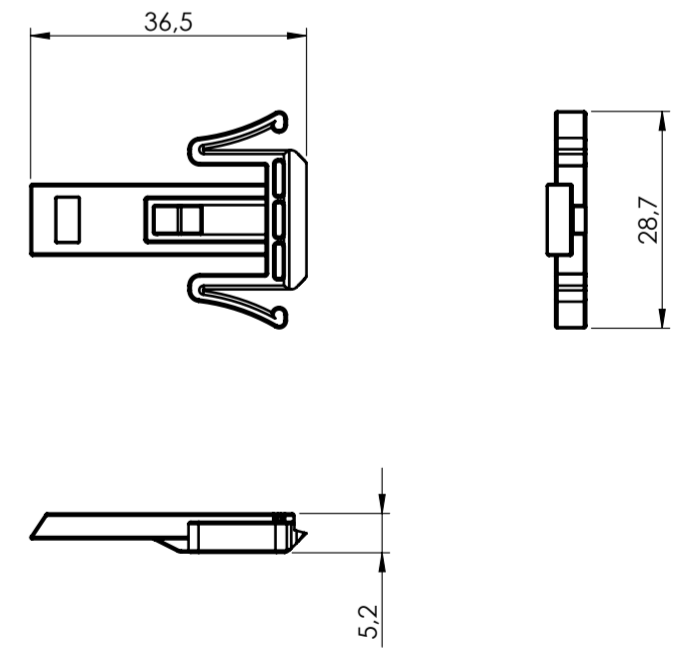
BODY ENCLOSURE



BASE



HOOK



General information:
 - Workpiece zero point for mechanical processing
 - Minimum recommended radius for machining = R1.0 mm
 - Mounting rail like EN 60715: TH 35-15
 - Recommended PCB outline on www.italtronic.com

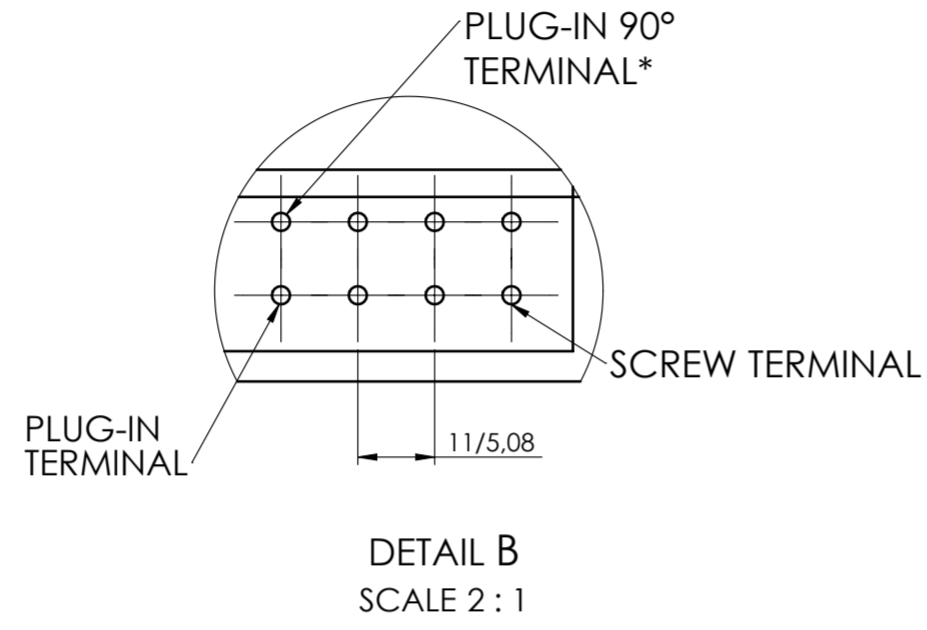
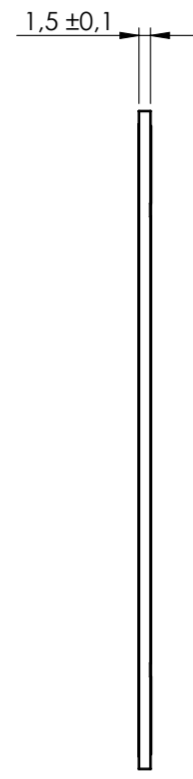
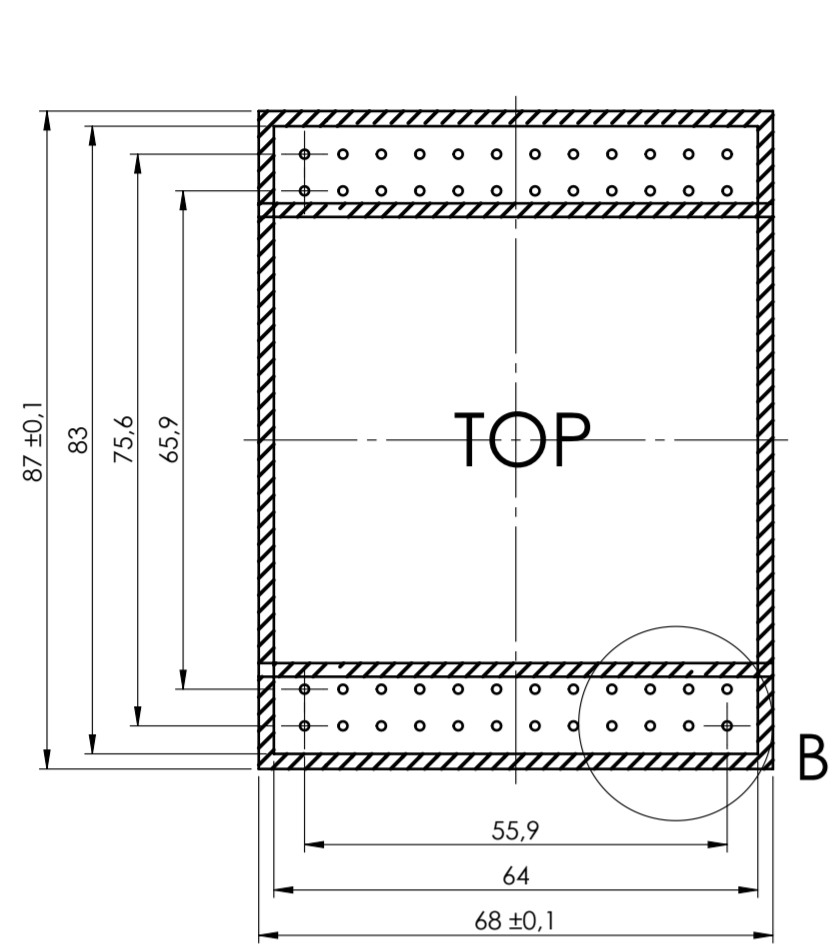
| RIF. | Q.TY | DRAWING | DESCRIPTION |
|------|------|-------------|-------------------------------------|
| 1 | 1 | 2_250_03633 | BASE MODULBOX XT/XTS 4M |
| 2 | 1 | 2_250_00072 | HOOK FOR MODULBOX XT-XTS |
| 3 | 1 | 2_250_03877 | BODY ENCLOSURE MODULBOX XT 4MH53V-A |

| General Tolerance UNI EN 22768/1 Media (m) | | | | | Sheet: |
|--|---------------|--------------|----------------|-----------------|------------|
| from 0.5 to 3 | from 3 to 6 | from 6 to 30 | from 30 to 120 | from 120 to 400 | 1 |
| ± 0.1 | ± 0.1 | ± 0.2 | ± 0.3 | ± 0.5 | |
| Scale: | Drawn: | Checked: | Date: | Material: | Process: |
| 1:1 | F.E. | R.N. | 10/10/2024 | | |
| Dimension in mm | Derived from: | | | Weight: | Cod. Mold: |
| | | | | gr | -- |

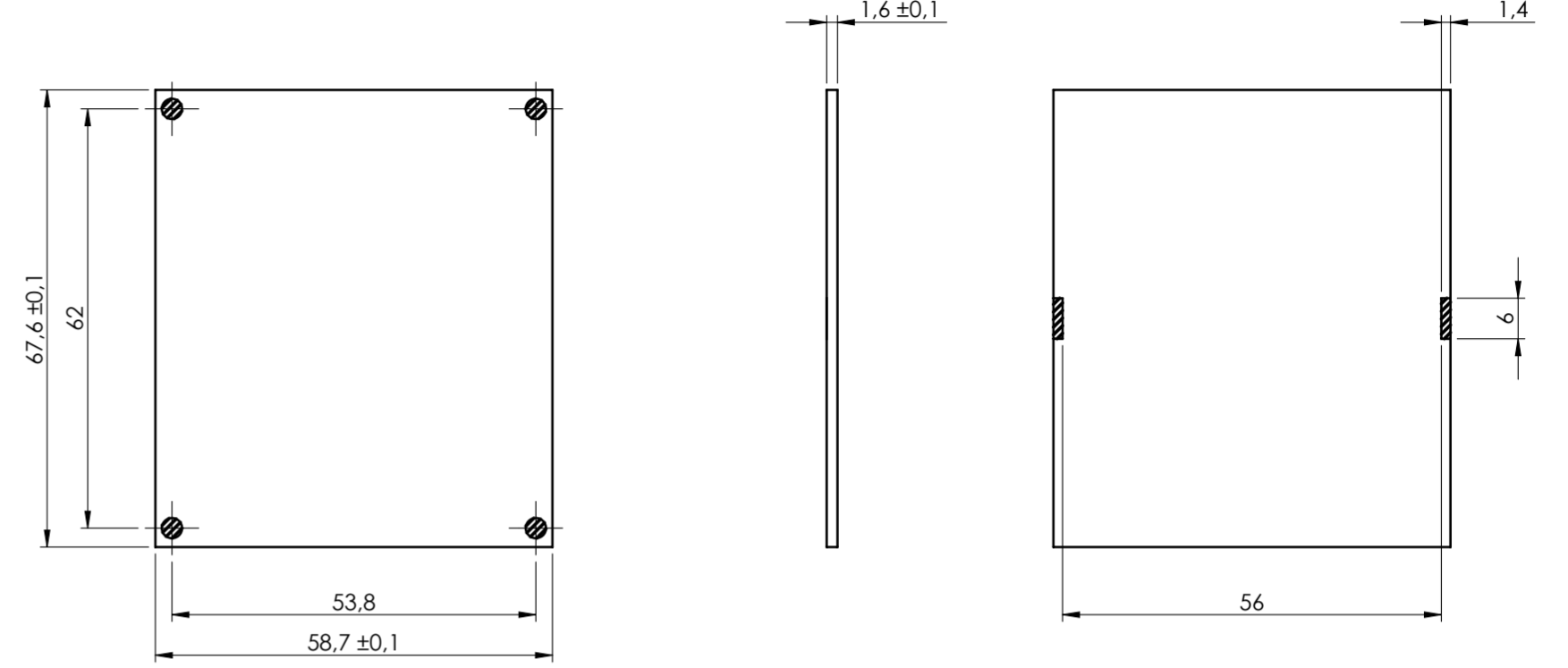
| | | | |
|--|---|--|------|
| enclosures for electronics italtronic.com | Description: | | Rev: |
| | KIT CONTENITORE MODULBOX XT 4MH53V-A VENTILATO KIT ENCLOSURE MODULBOX XT 4MH53V-A WITH VENTS | | |
| Drawing nr.: | 3_250_00206 | | A2 |

PCB A

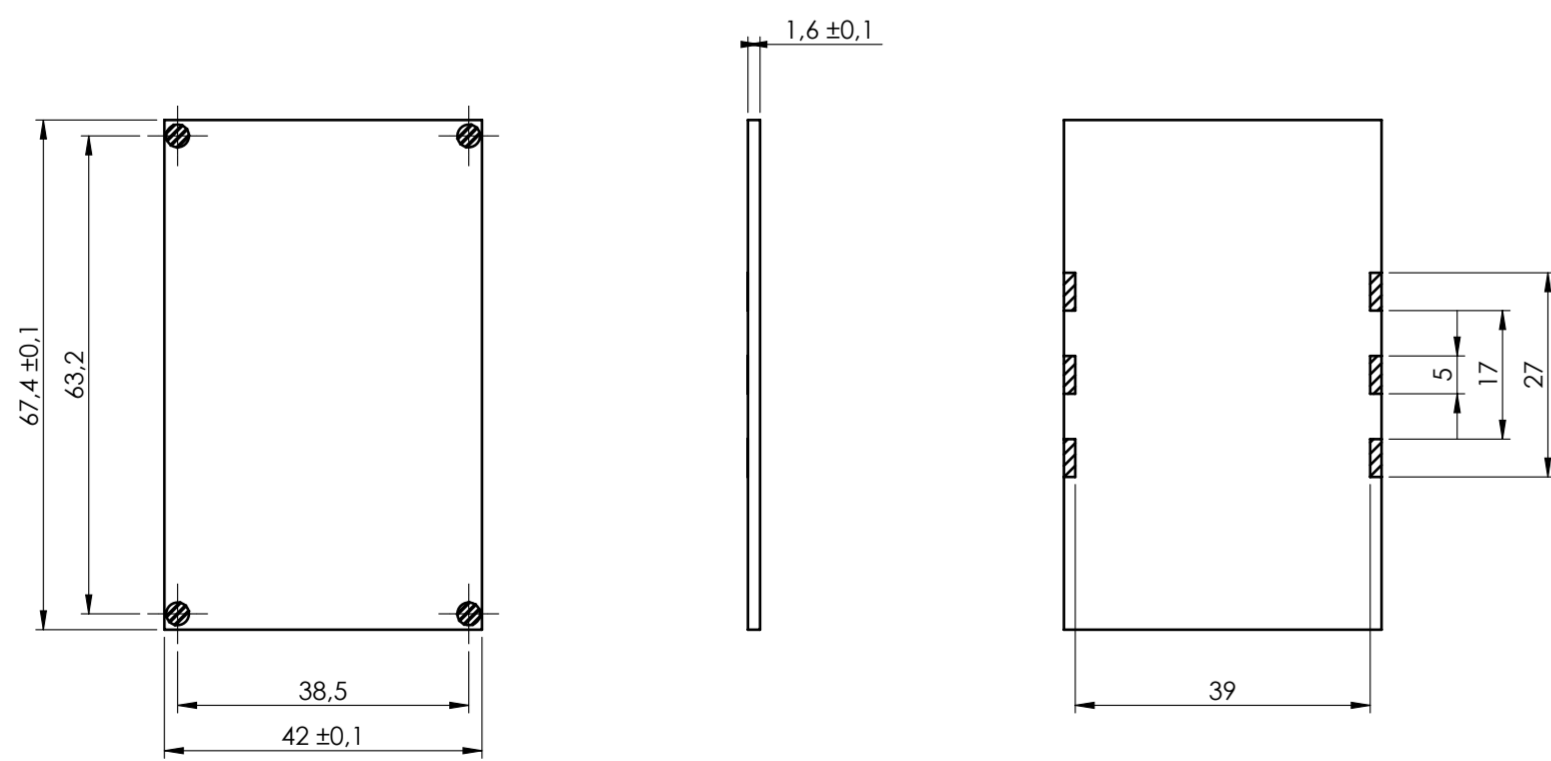
Max height of the terminal:
Modulbox XT/XTS: 18.5 mm



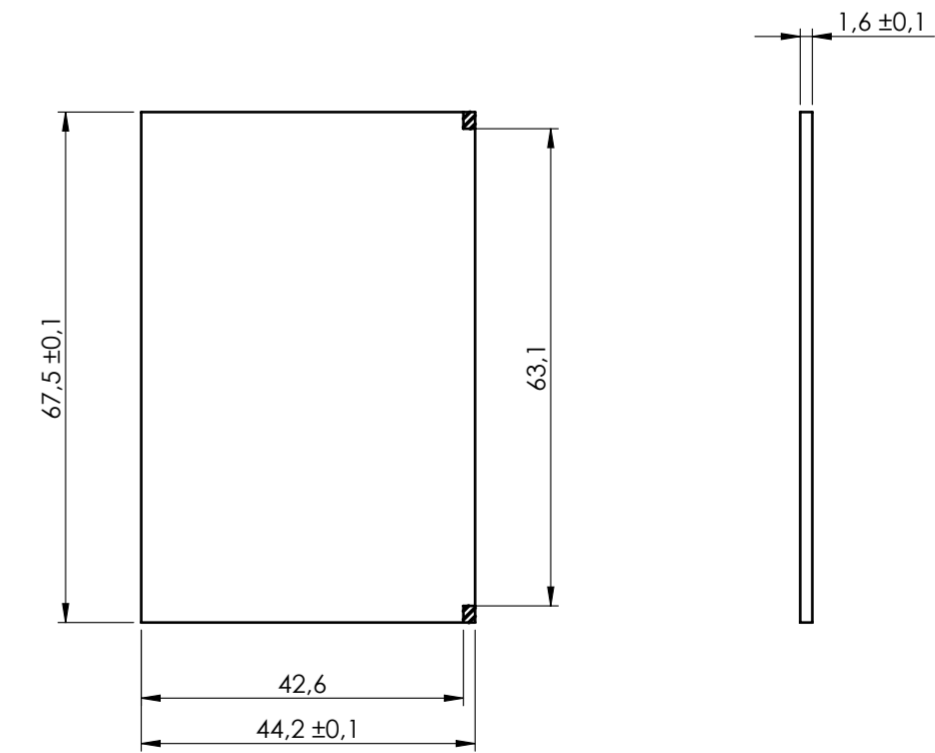
PCB B



PCB C



PCB V2



NO COMPONENTS AREA

| | | | | | |
|--|----------------------|-----------------------|-------------------------|--------------------------|---|
| General Tolerance UNI EN 22768/1 Media (m) | | | | | Sheet: |
| from 0.5 to 3 ± 0.1 | from 3 to 6 ± 0.1 | from 6 to 30 ± 0.2 | from 30 to 120 ± 0.3 | from 120 to 400 ± 0.5 | PCB |
| Scale: | Drawn: | Checked: | Date: | Material: | Process: |
| 1:1 | F.E. | R.N. | 10/10/2024 | | |
| Dimension in mm | | Derived from: | Weight: | Cod. Mold: | |
| | | | gr | -- | |
| enclosures for electronics italtronic.com | | | | | Description: KIT CONTENITORE MODULBOX XT 4MH53V-A VENTILATO KIT ENCLOSURE MODULBOX XT 4MH53V-A WITH VENTS Drawing nr.: 3_250_00206 |
| | | | | Rev.: | A2 |
| | | | | 00 | |