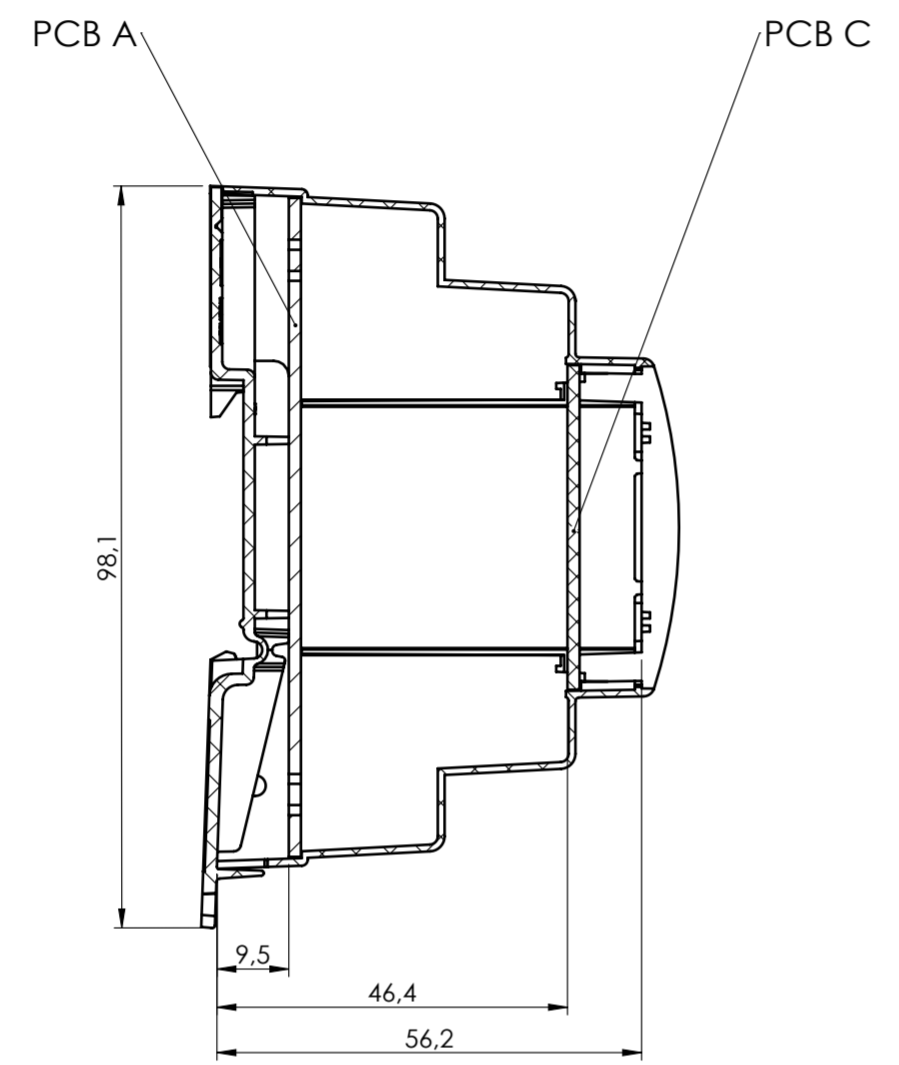
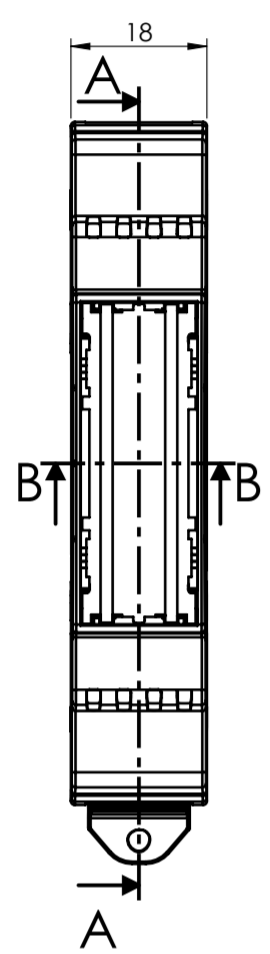
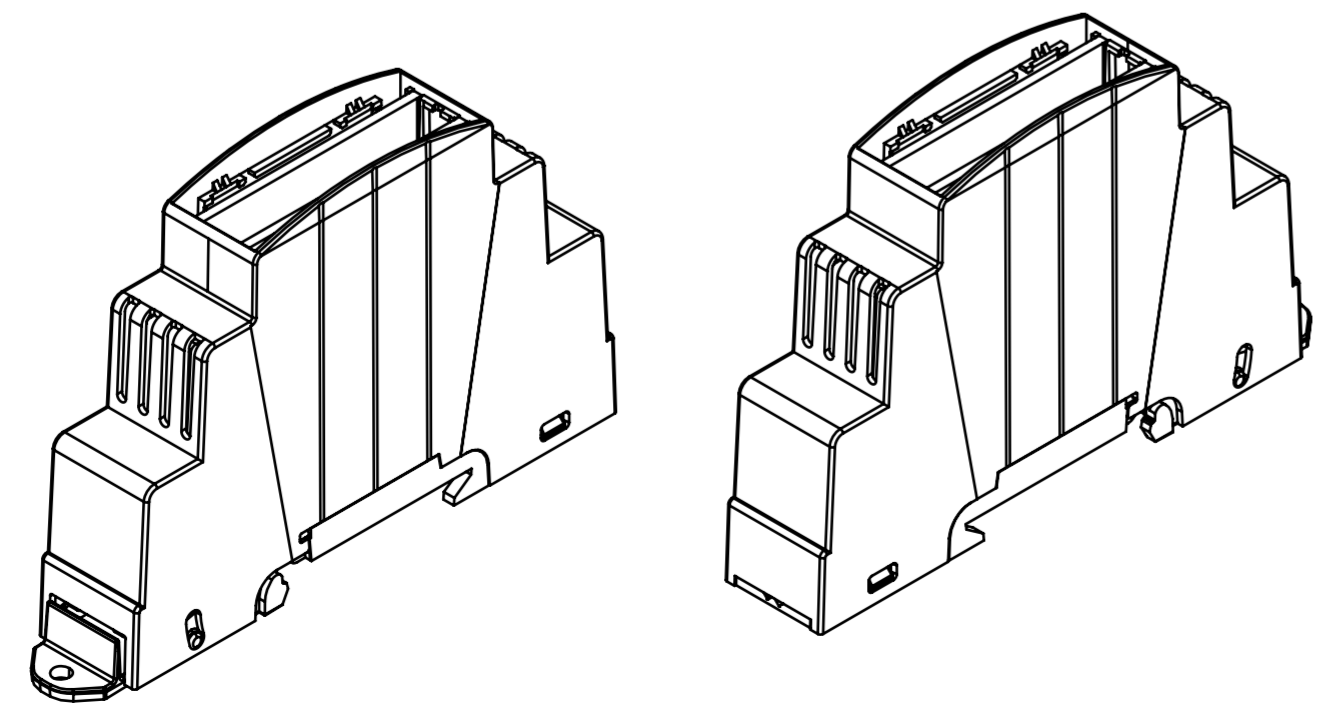
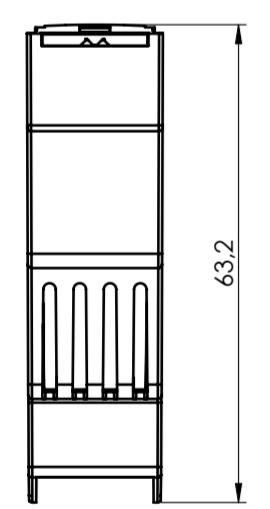


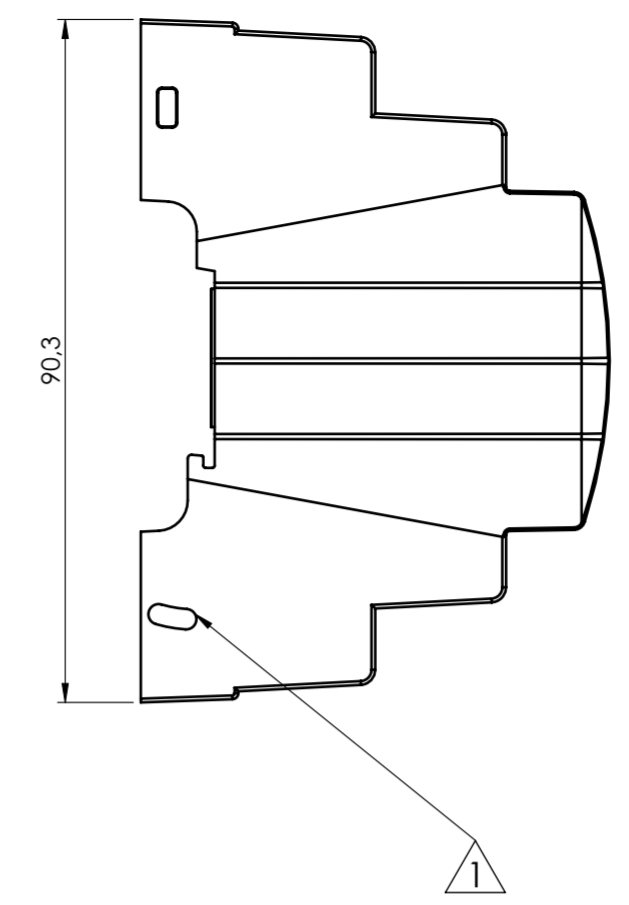
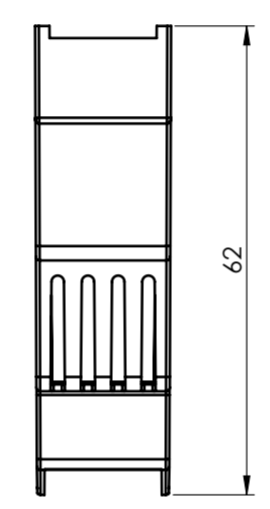
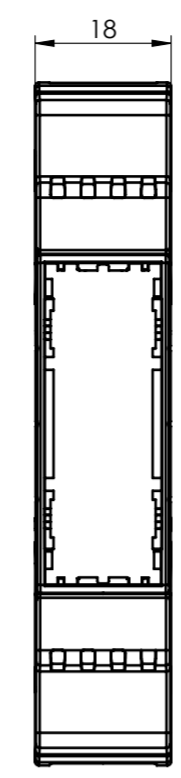
SECTION B-B



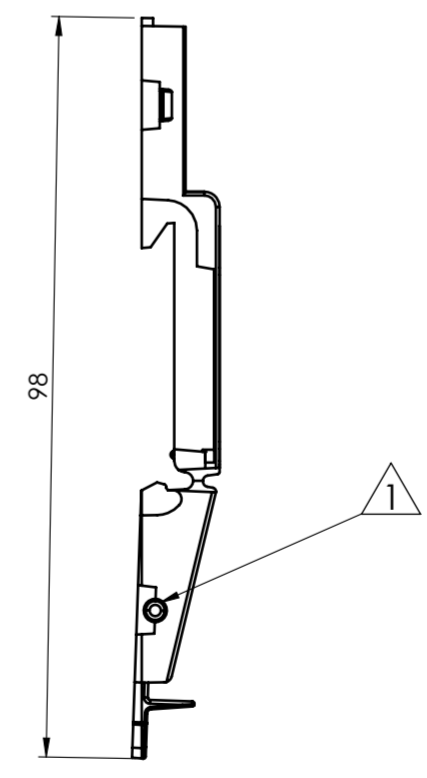
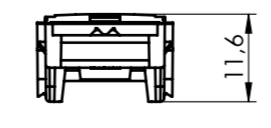
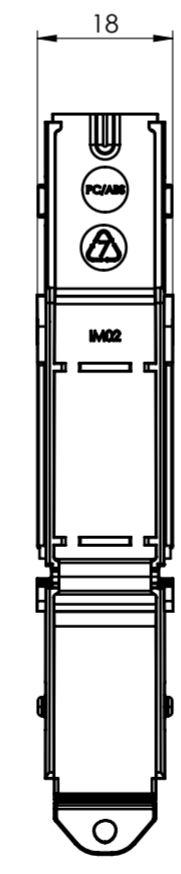
SECTION A-A



BODY ENCLOSURE

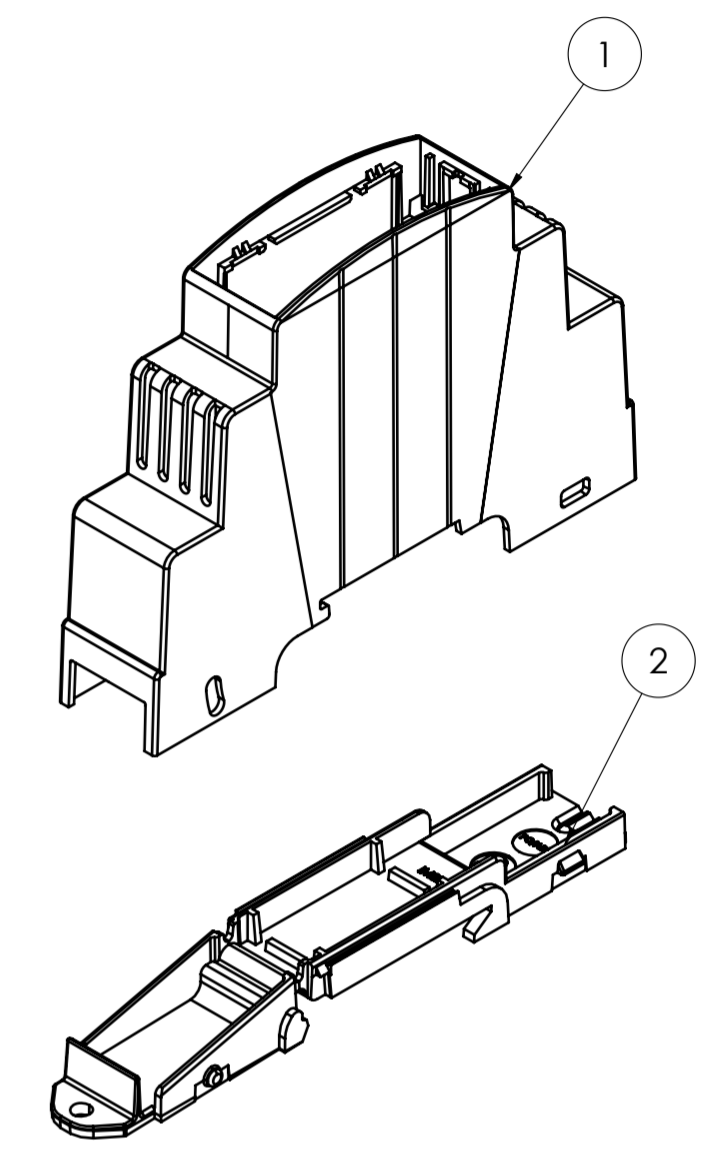


BASE



General information:
 - Workpiece zero point for mechanical processing
 - Minimum recommended radius for machining = R1.0 mm
 - Mounting rail like EN 60715: TH 35-7.5 or TH 35-15
 - Recommended PCB outline on www.italtronic.com

Revisions			
Rev.	Description	Date	Mod. by
1	Modificato il sistema di aggancio della base.	13/06/2024	M.S.



RIF.	Q.TY	DRAWING	DESCRIPTION
1	1	2_250_00167	BODY ENCLOSURE MODULBOX XTS 1M53V-A VENTILATED
2	1	2_250_00092	BASE MODULBOX XTS 1M

General Tolerance UNI EN 22768/1 Media (m)					Sheet:
from 0.5 to 3 ± 0.1	from 3 to 6 ± 0.1	from 6 to 30 ± 0.2	from 30 to 120 ± 0.3	from 120 to 400 ± 0.5	1
Scale:	IM:	Drawn:	Checked:	Date:	Material:
1:1	--	M.S.	R.N.	17/07/2023	Process:
Dimension in mm		Replaces the:		Derived from:	Weight:
		M-06126-00		--	gr

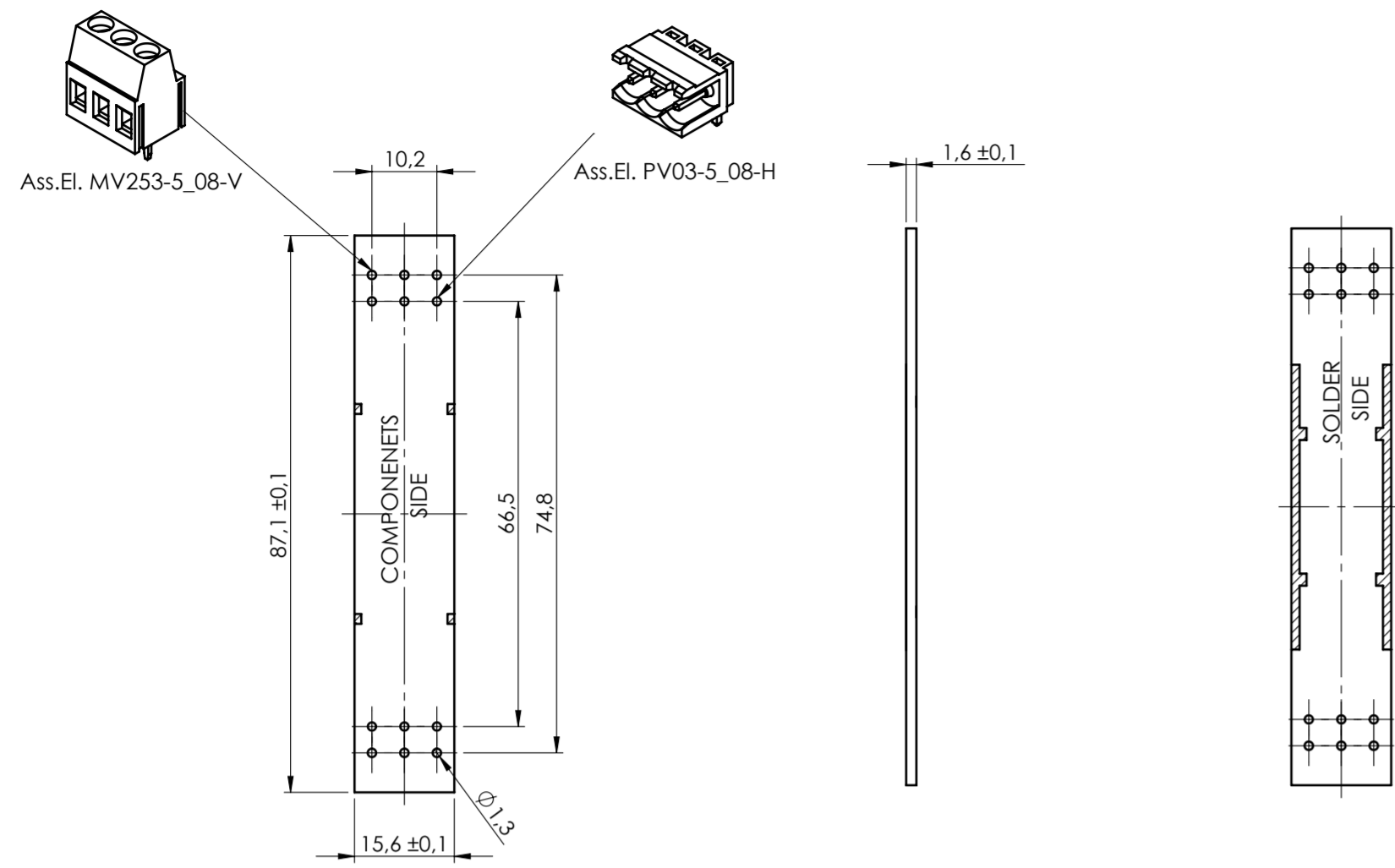
italtronic
 enclosures for electronics
italtronic.com

Description:
 KIT CONTENITORE MODULBOX XTS 1M53V-A
 KIT ENCLOSURE MODULBOX XTS 1M53V-A

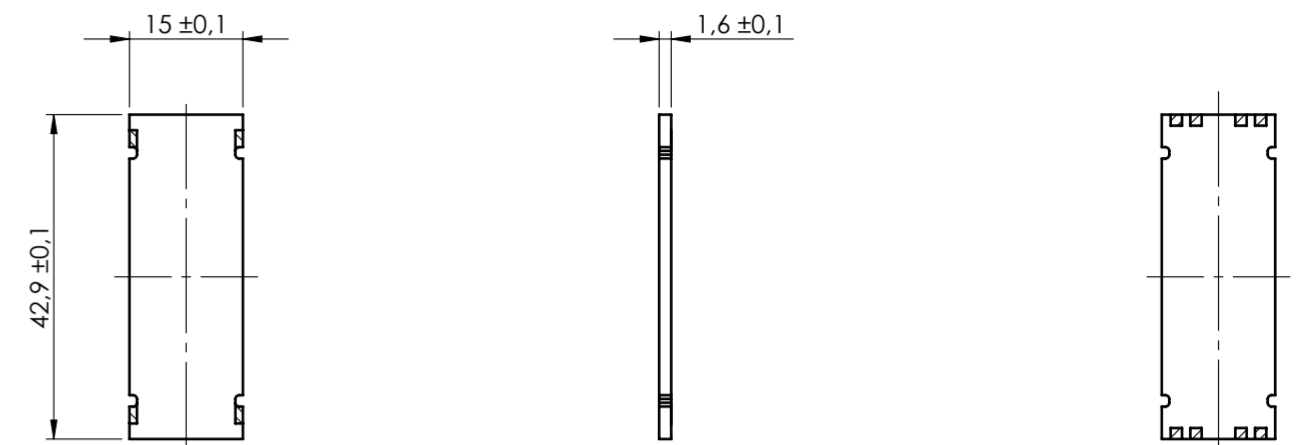
Drawing nr.: **3_250_00141**

Rev.: **01** A2

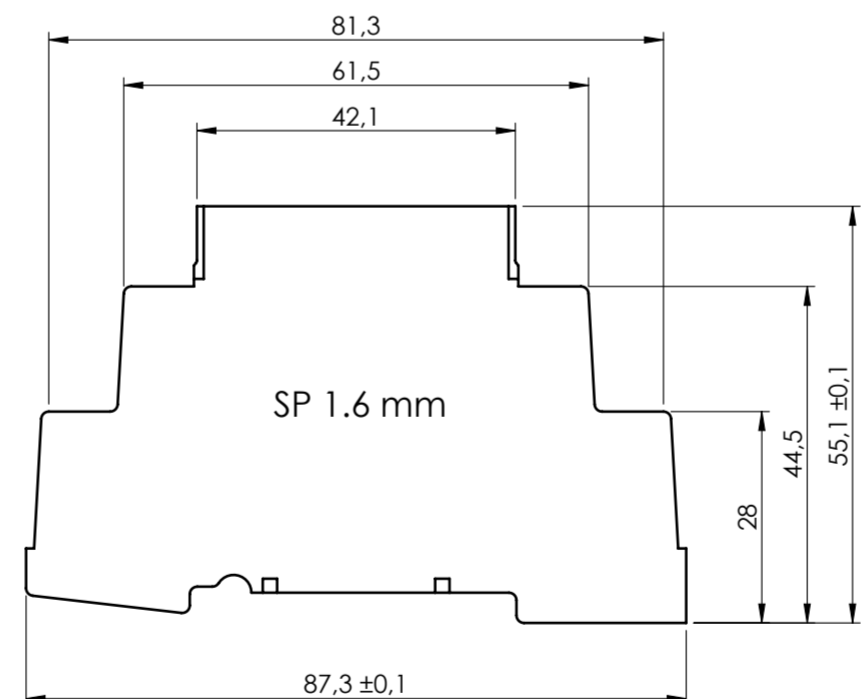
PCB A



PCB C



PCB V



General Tolerance UNI EN 22768/1 Media (m)						Sheet:
from 0.5 to 3 ± 0.1	from 3 to 6 ± 0.1	from 6 to 30 ± 0.2	from 30 to 120 ± 0.3	from 120 to 400 ± 0.5		PCB
Scale:	IM:	Drawn:	Checked:	Date:	Material:	Process:
1:1	--	M.S.	R.N.	17/07/2023		
Dimension in mm		Replaces the:		Derived from:	Weight:	Cod. Mold:
		M-06126-00		--	gr	--
 Description: KIT CONTENITORE MODULBOX XTS 1MS3V-A KIT ENCLOSURE MODULBOX XTS 1MS3V-A Drawing nr.: 3_250_00141						Rev.: 01
NO COMPONENTS AREA						A2