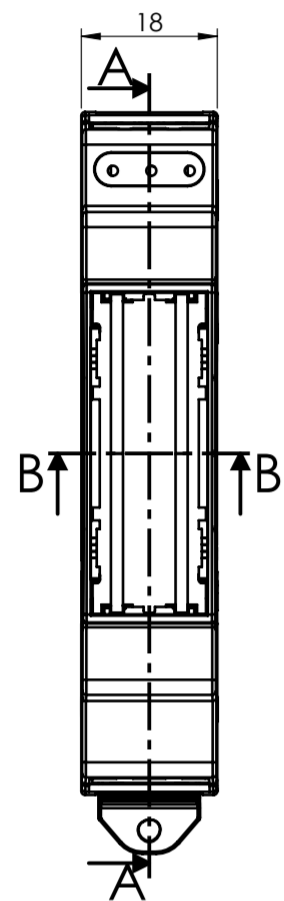
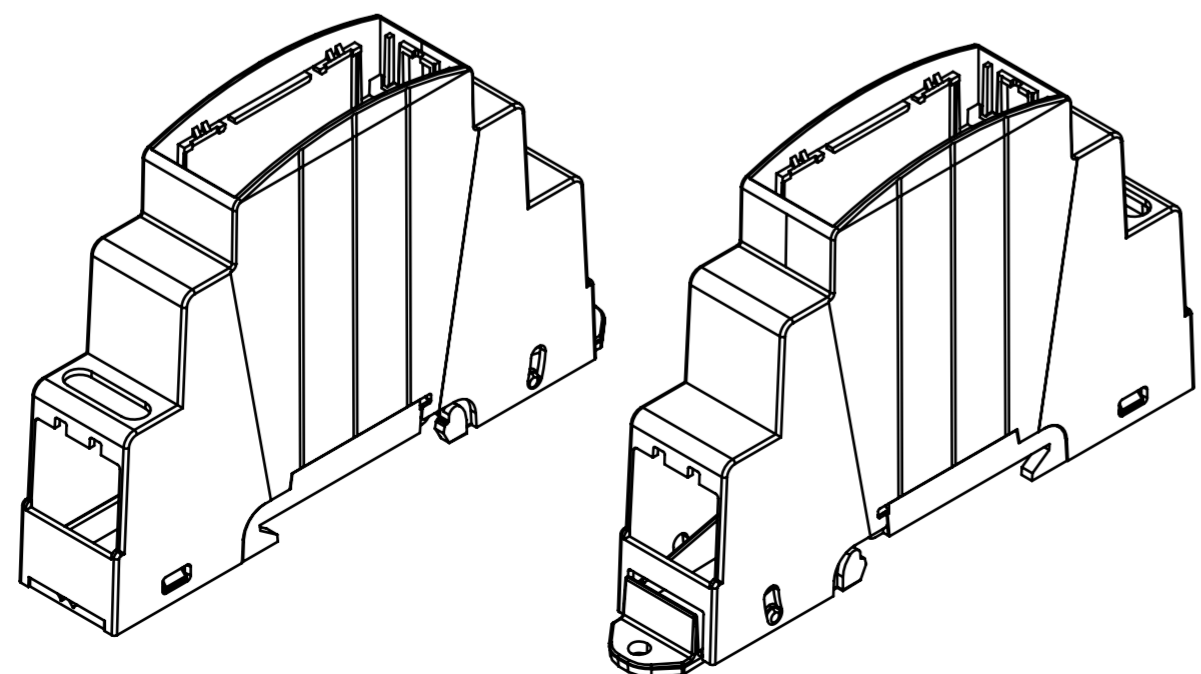
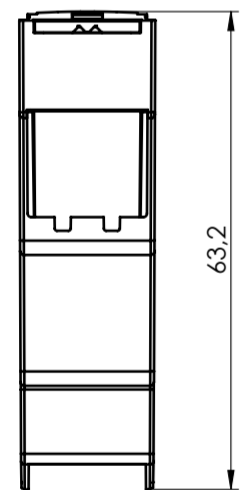


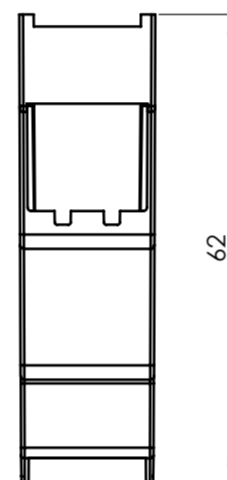
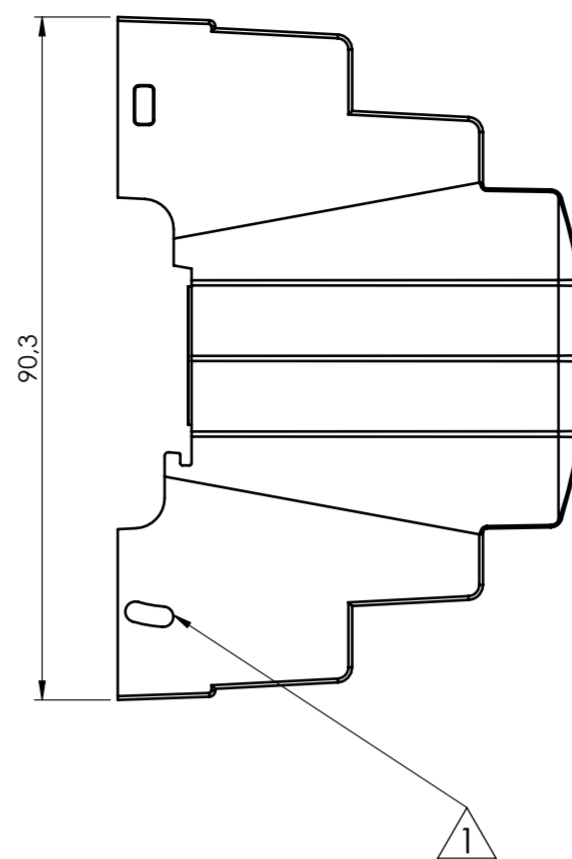
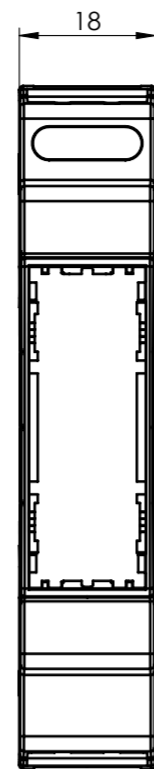
SECTION B-B



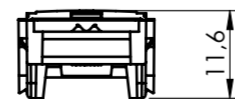
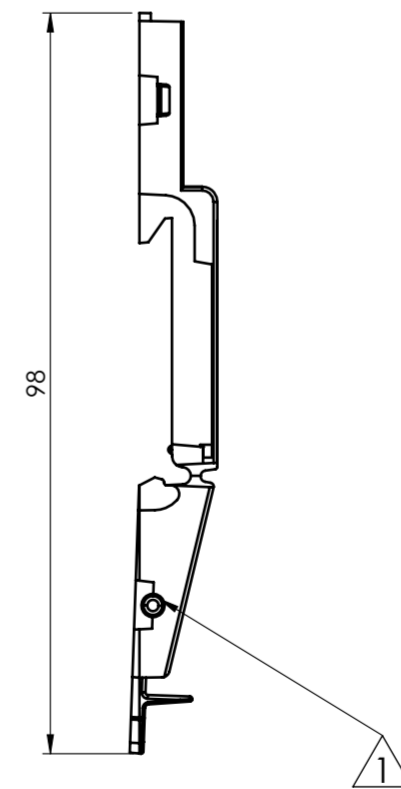
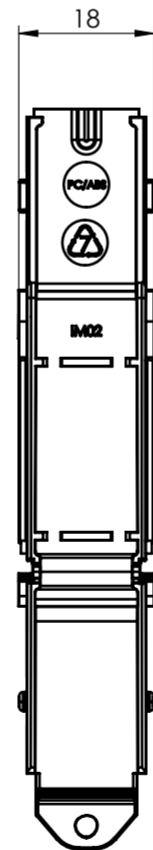
SECTION A-A



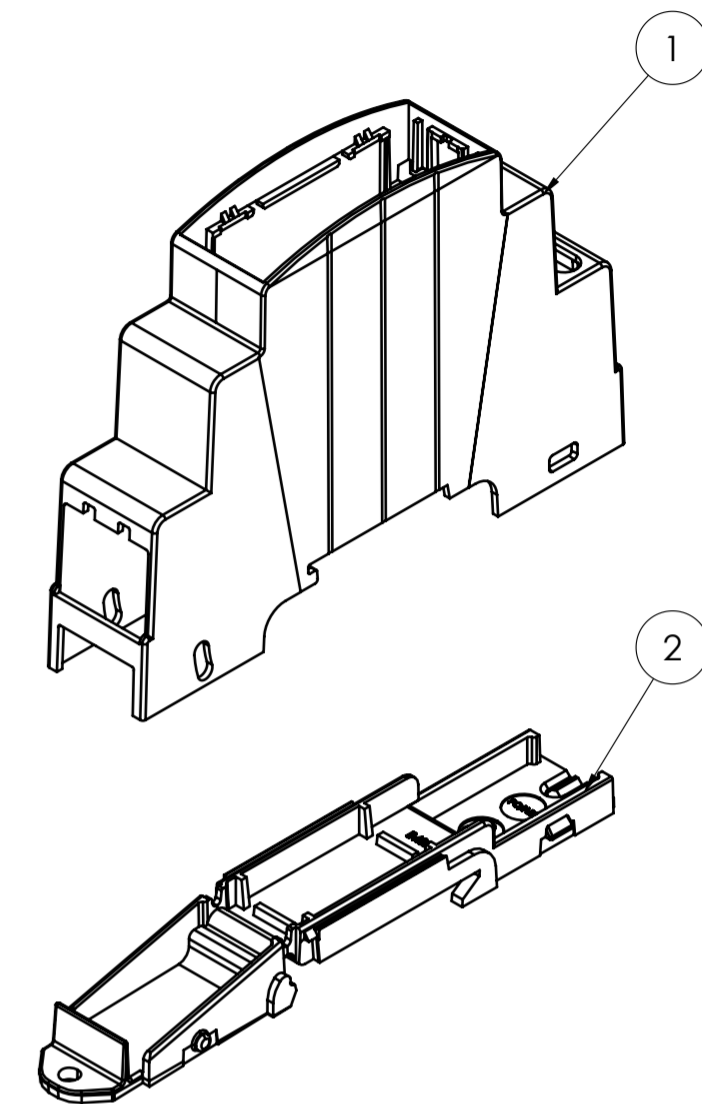
BODY ENCLOSURE



BASE



Revisions			
Rev.	Description	Date	Mod. by
1	Modificato il sistema di aggancio della base.	13/06/2024	M.S.

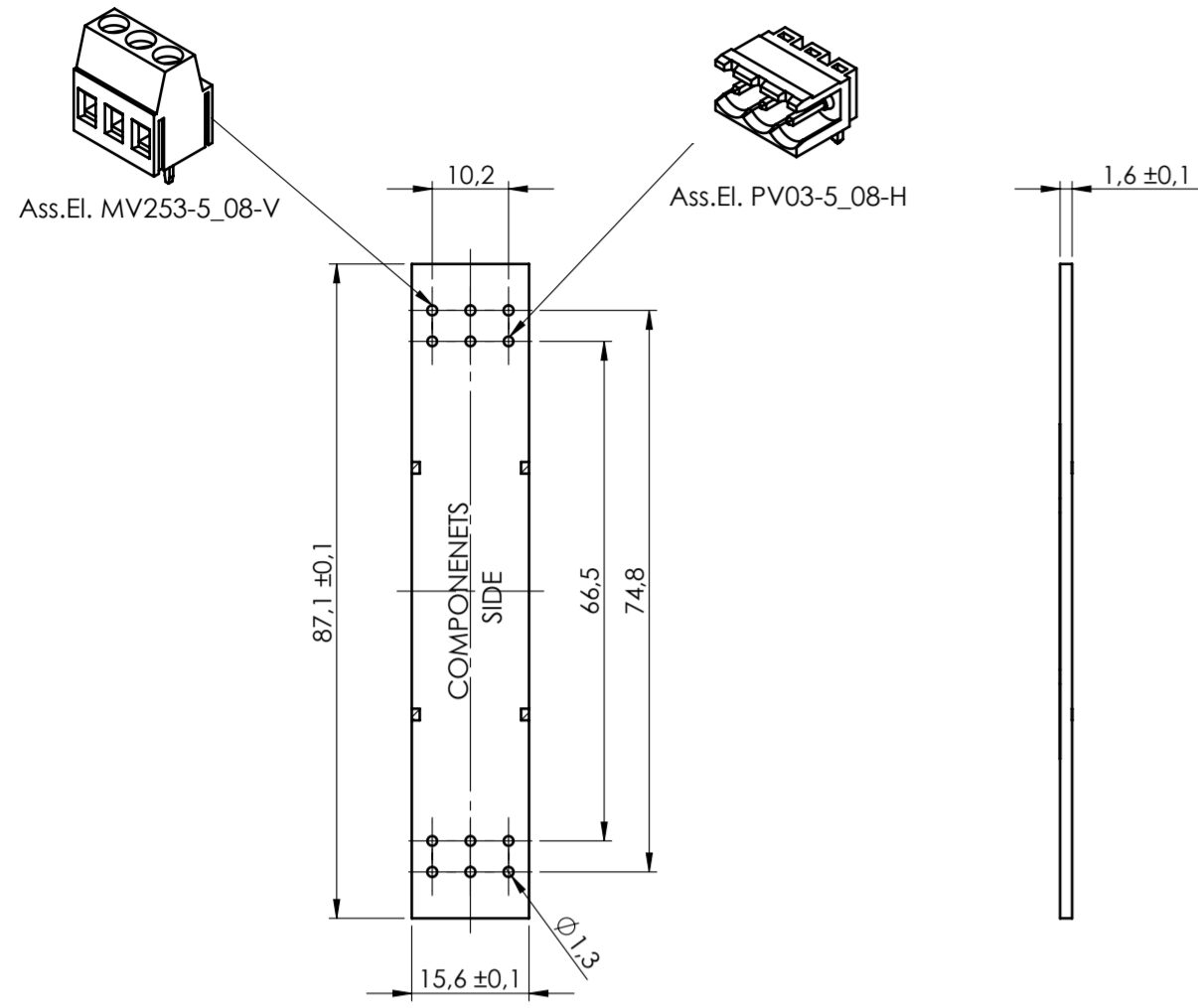


RIF.	Q.TY	DRAWING	DESCRIPTION
1	1	2_250_00170	BODY ENCLOSURE MODULBOX XTS 1M53-A1RJ45
2	1	2_250_00092	BASE MODULBOX XTS 1M

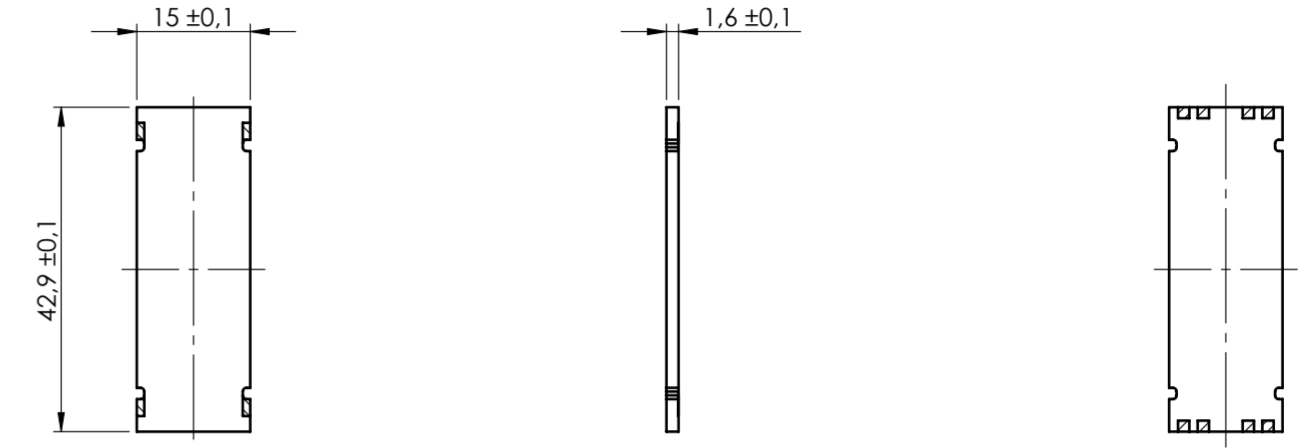
General Tolerance UNI EN 22768/1 Media (m)					Sheet:
from 0.5 to 3 ± 0.1	from 3 to 6 ± 0.1	from 6 to 30 ± 0.2	from 30 to 120 ± 0.3	from 120 to 400 ± 0.5	1
Scale:	IM:	Drawn:	Checked:	Date:	Material:
1:1	--	M.S.	R.N.	17/07/2023	Process:
Dimension in mm		Replaces the:		Derived from:	Weight:
		M-06128-00		--	gr

 enclosures for electronics italtronic.com		Description: KIT CONTENITORE MODULBOX XTS 1M53-A1RJ45 KIT ENCLOSURE MODULBOX XTS 1M53-A1RJ45 Drawing nr.: <b>3_250_00139</b>	Rev.: <b>01</b>	<b>A2</b>
--	--	--	--------------------	-----------

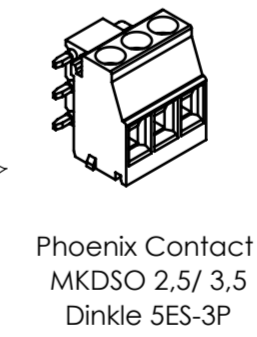
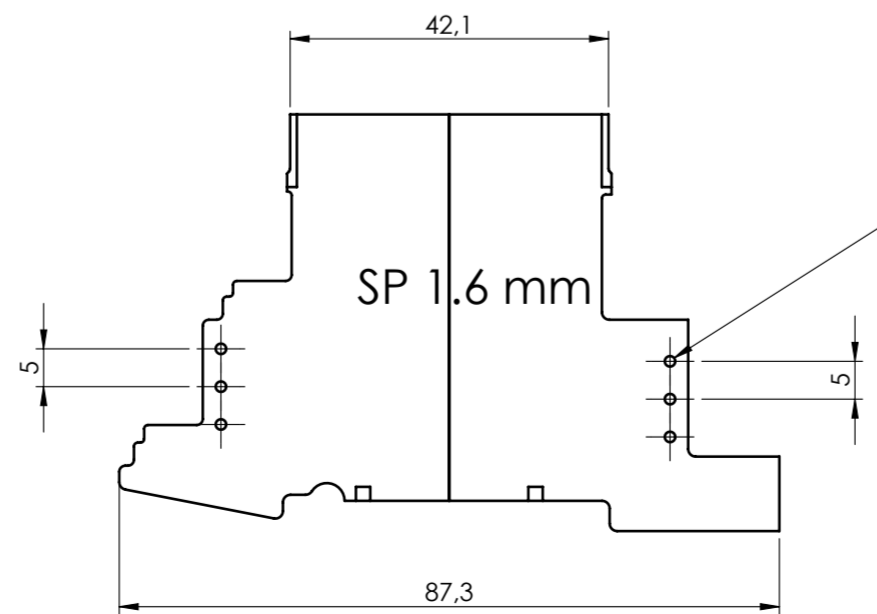
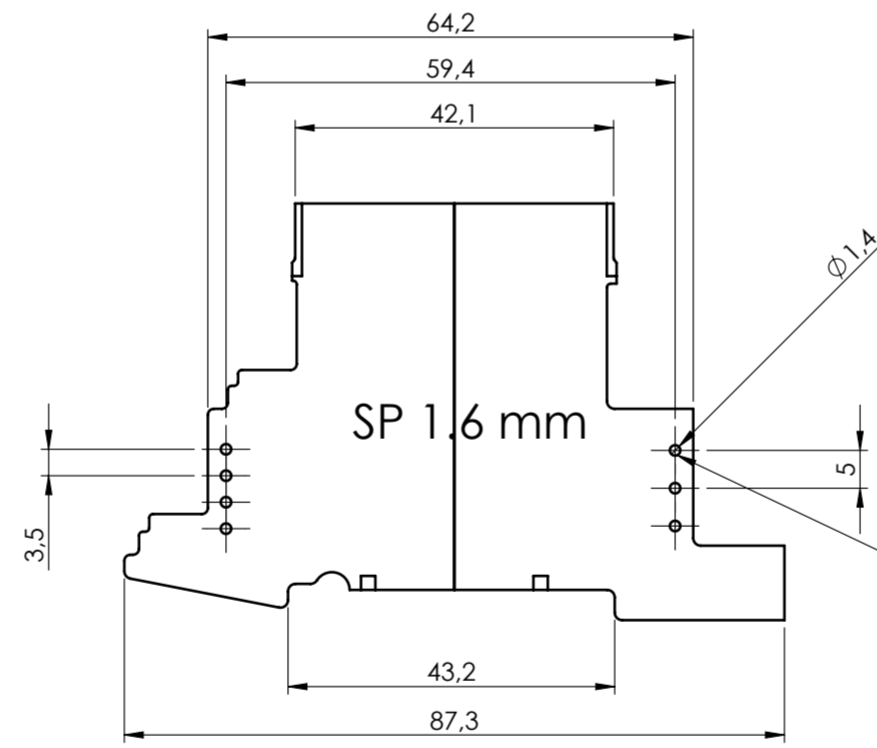
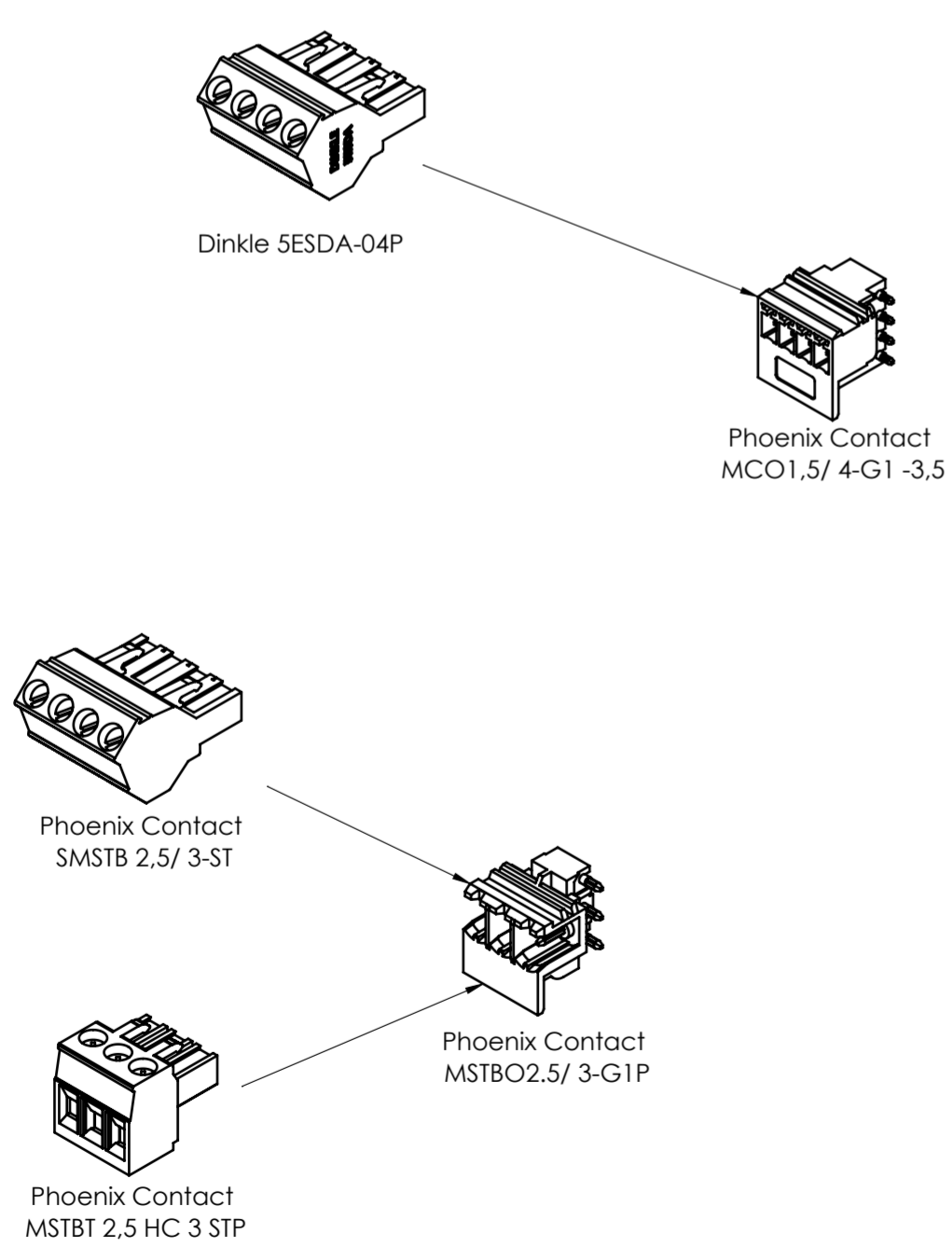
PCB A




PCB C



PCB V



General Tolerance UNI EN 22768/1 Media (m)					Sheet:
from 0.5 to 3 ± 0.1	from 3 to 6 ± 0.1	from 6 to 30 ± 0.2	from 30 to 120 ± 0.3	from 120 to 400 ± 0.5	PCB
Scale:	Drawn:	Checked:	Date:	Material:	Process:
1:1	M.S.	R.N.	17/07/2023		
Dimension in mm	The present drawing cannot be reproduced or communicated to third parties, even partially, without the authorization of Italtronic. Italtronic reserves the right to protect its drawings according to the law.		Derived from:	Weight:	Cod. Mold:
			--	gr	--
 Description: KIT CONTENITORE MODULBOX XTS 1M53-A1R145 KIT ENCLOSURE MODULBOX XTS 1M53-A1R145 Drawing nr.: <b>3_250_00139</b>					Rev.: 01 A2

NO COMPONENTS AREA