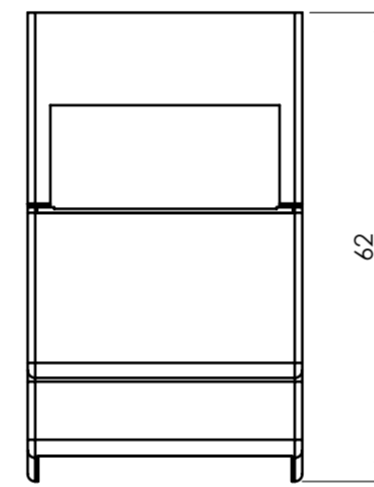
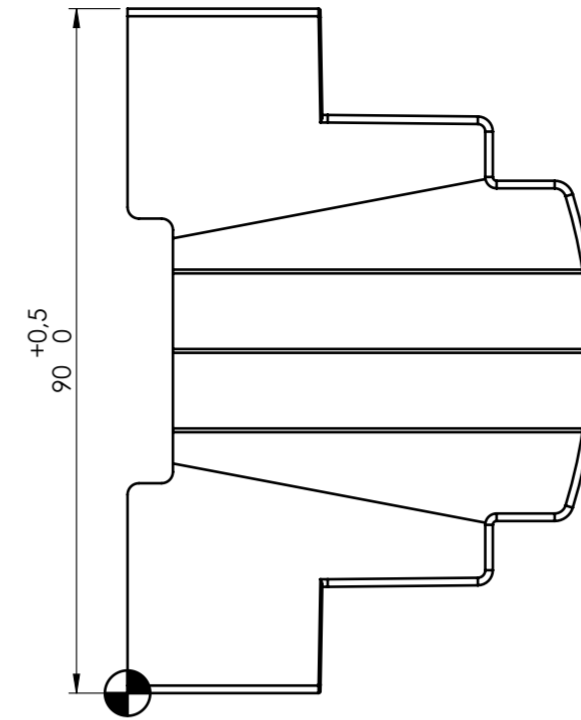
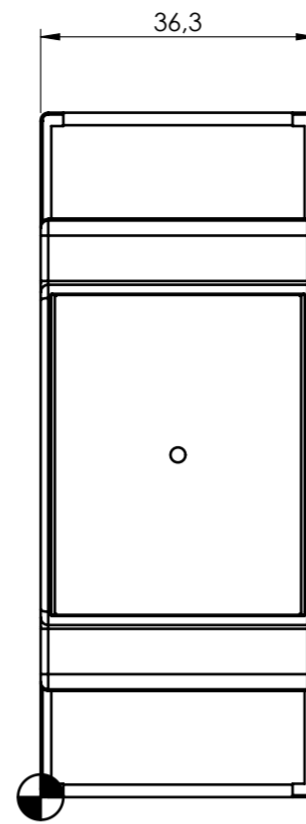
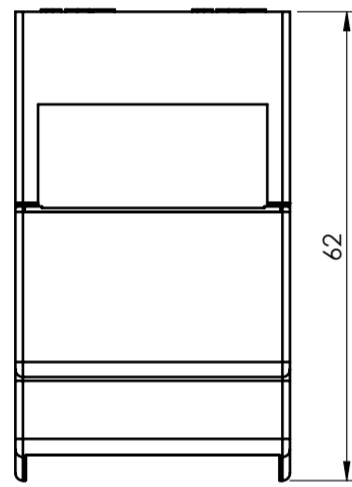
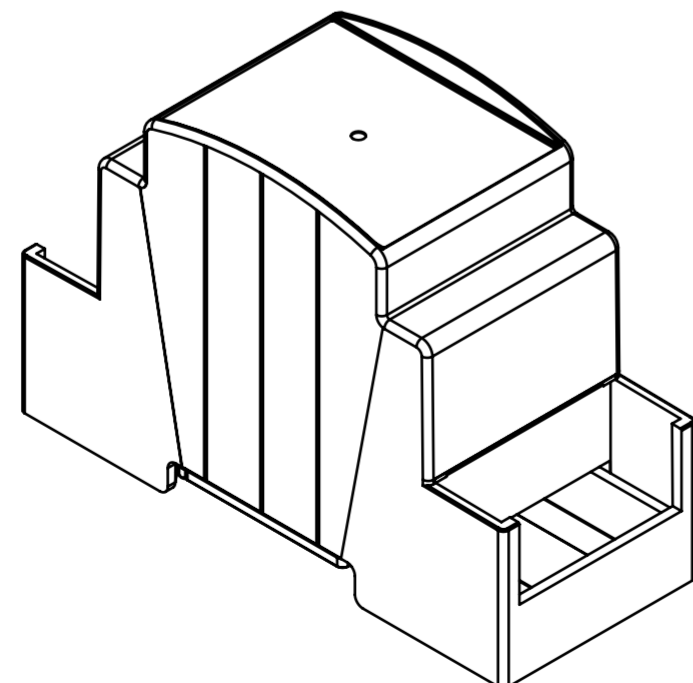
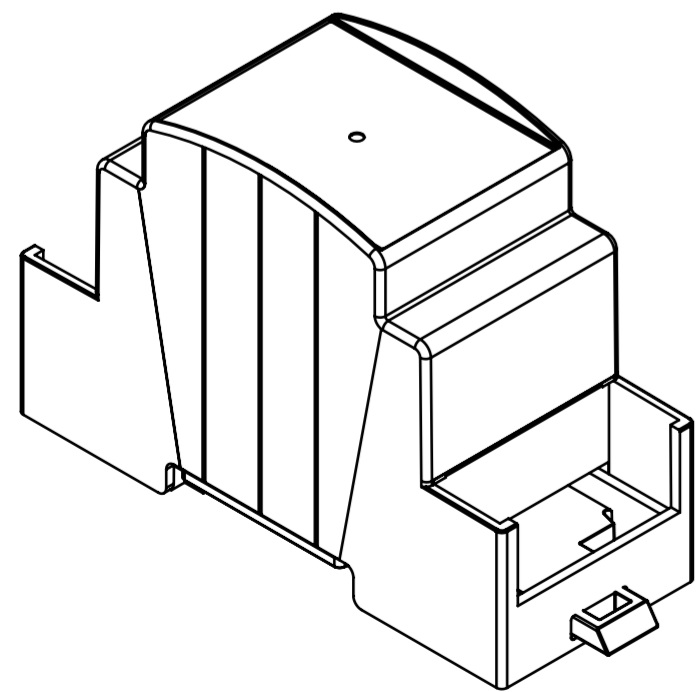
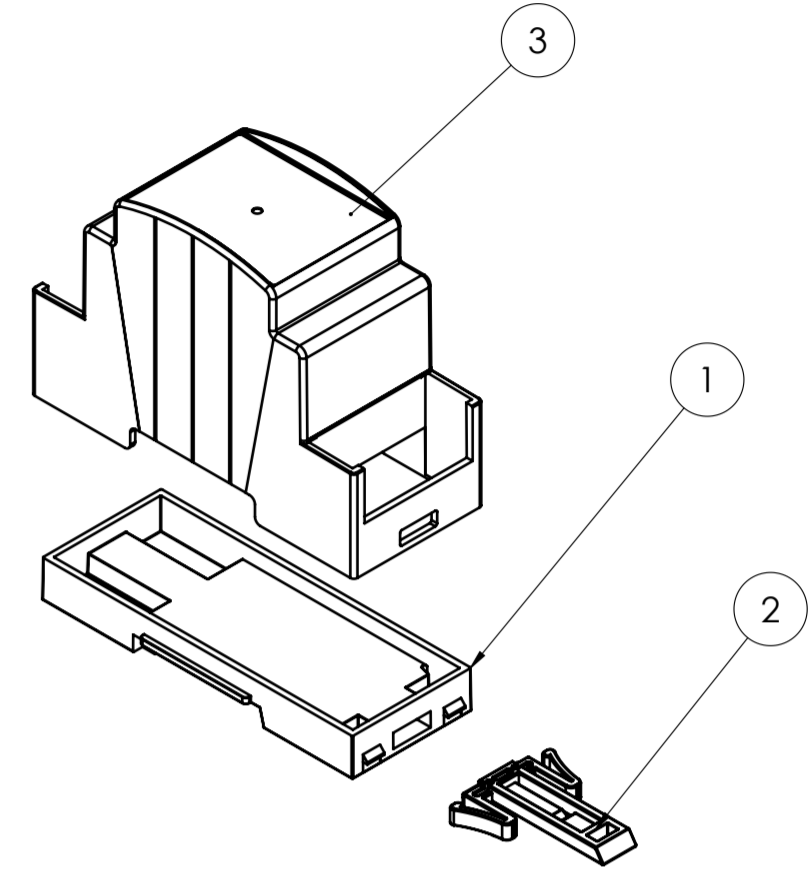


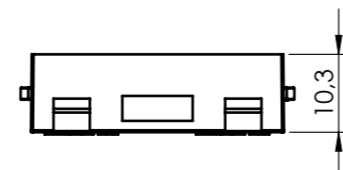
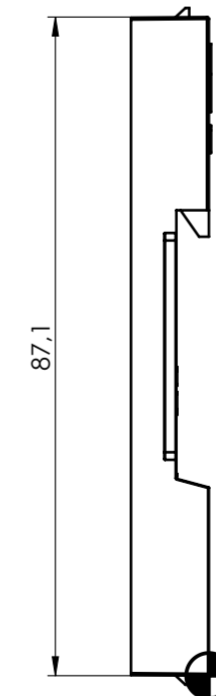
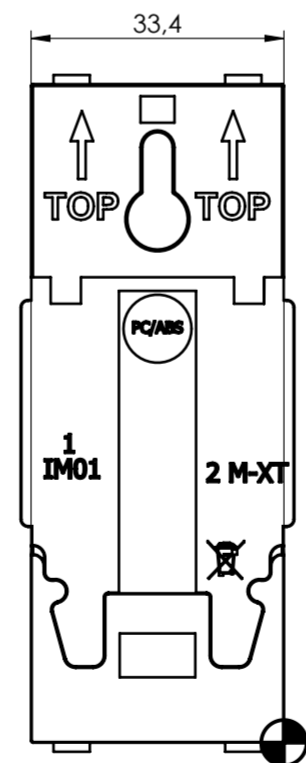
SECTION A-A



BODY ENCLOSURE

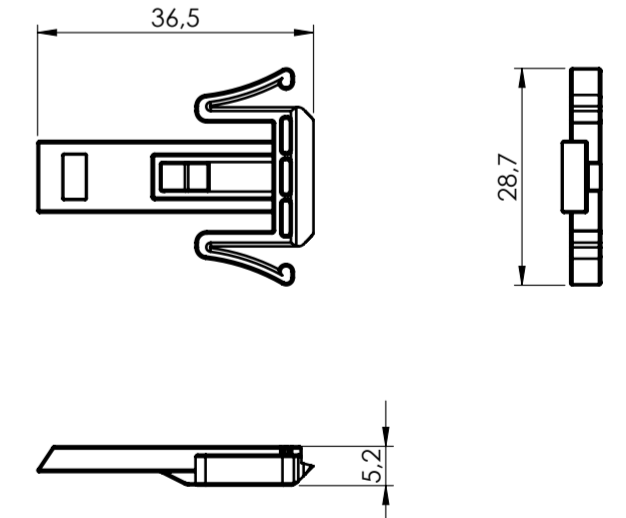


BASE



General information:
 - Workpiece zero point for mechanical processing
 - Minimum recommended radius for machining = R1.0 mm
 - Mounting rail like EN 60715: TH 35-7.5 or TH 35-15
 - Recommended PCB outline on www.italtronic.com

HOOK



RIF.	Q.TY	DRAWING	DESCRIPTION
1	1	2_250_00139	BASE MODULBOX XT/XTS - 2M
2	1	2_250_00072	HOOK FOR MODULBOX XT-XTS
3	1	2_250_00045	BODY MODULBOX XTS 2MC53-A

General Tolerance UNI EN 22768/1 Media (m)						Sheet:
from 0.5 to 3	from 3 to 6	from 6 to 30	from 30 to 120	from 120 to 400		1
± 0.1	± 0.1	± 0.2	± 0.3	± 0.5		
Scale:	IM:	Drawn:	Checked:	Date:	Material:	Process:
1:1	--	R.N.	R.N.	11/04/2023		
Dimension in mm		Replaces the:		Derived from:	Weight:	Cod. Mold:
		--		--	gr	--

italtronic
 enclosures for electronics
italtronic.com

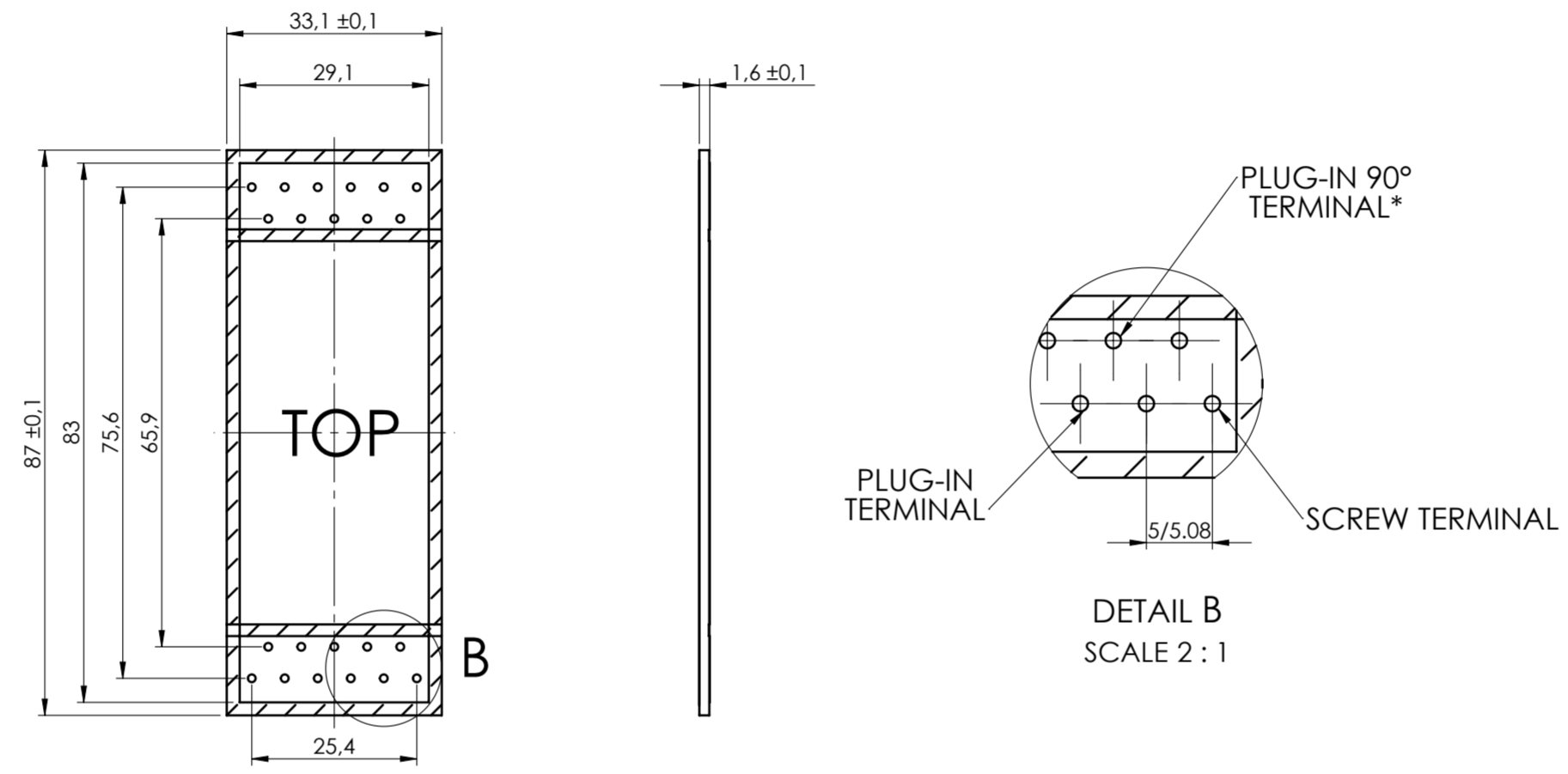
Description:
 KIT CONTENITORE MODULBOX XTS 2MC53-A CHIUSO
 KIT ENCLOSURE MODULBOX XTS 2M53-A CLOSED

Drawing nr.: **3_250_00030**

Rev.: **00** A2

Max height of the terminal:
 Modulbox XT/XTS: 18.5 mm
 Modulbox ONE: 20 mm

PCB A



**To use the PLUG-IN terminals in Modulbox ONE use plug-in adapter P05000003E (5/5.08 pitch) and P05000004E (7,5/7.62 pitch)*

NO COMPONENTS AREA

General Tolerance UNI EN 22768/1 Media (m)						Sheet:
from 0.5 to 3 ± 0.1	from 3 to 6 ± 0.1	from 6 to 30 ± 0.2	from 30 to 120 ± 0.3	from 120 to 400 ± 0.5		PCB
Scale:	IM:	Drawn:	Checked:	Date:	Material:	Process:
1:1	--	R.N.	R.N.	11/04/2023		
Dimension in mm		Replaces the:		Derived from:	Weight:	Cod. Mold:
		--		--	gr	--
 italtronic enclosures for electronics italtronic.com		Description: KIT CONTENITORE MODULBOX XTS 2MCS3-A CHIUSO KIT ENCLOSURE MODULBOX XTS 2MS3-A CLOSED				Rev.:
		Drawing nr.: 3_250_00030				00
						A2