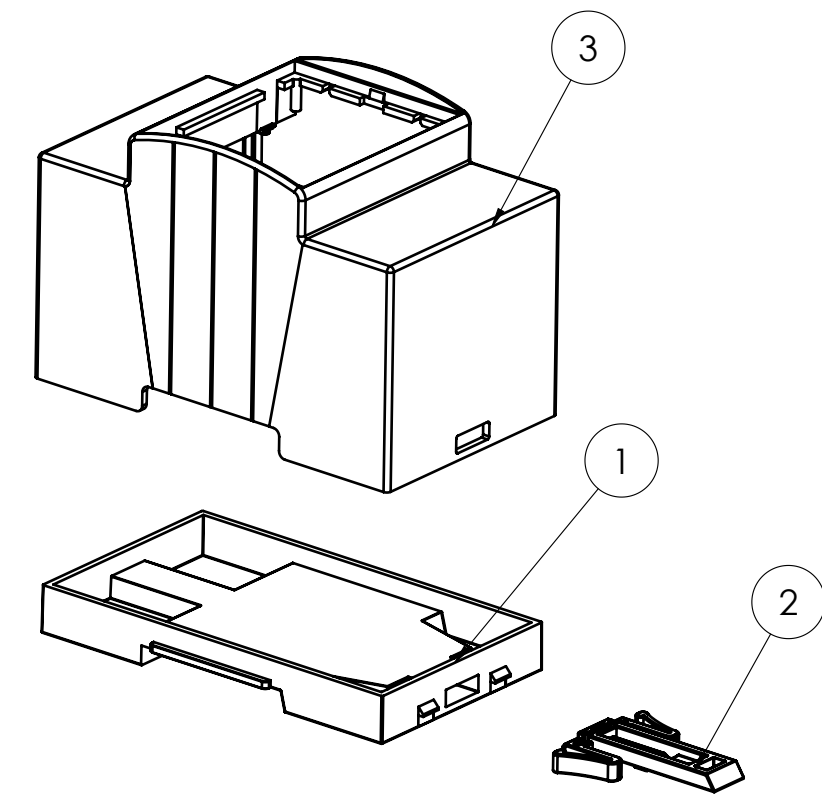
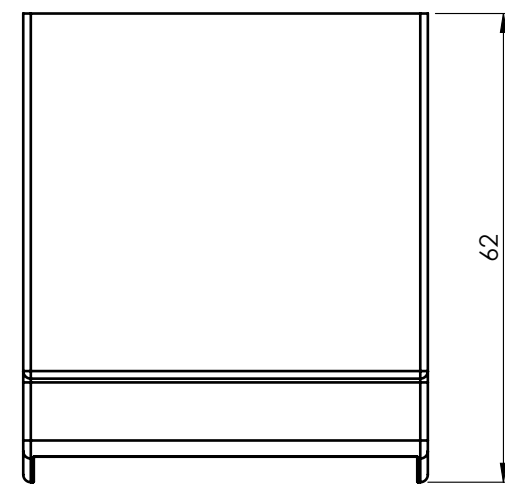
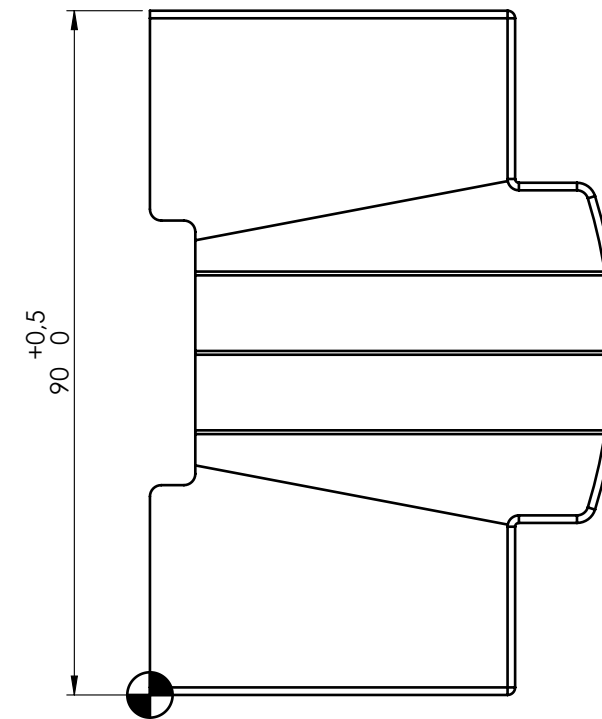
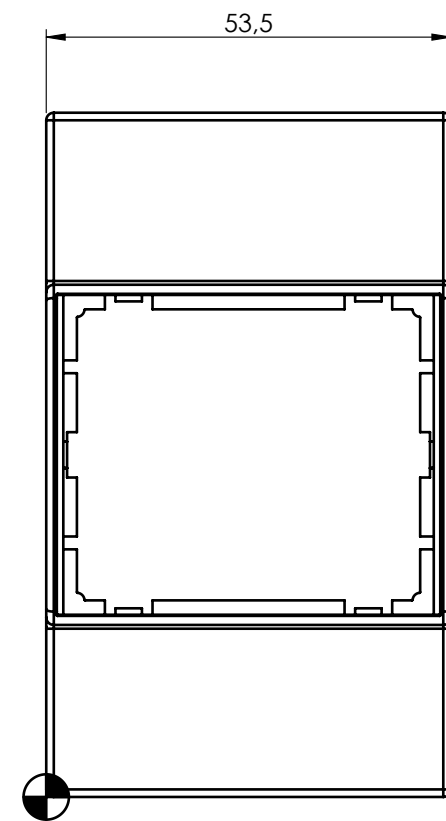
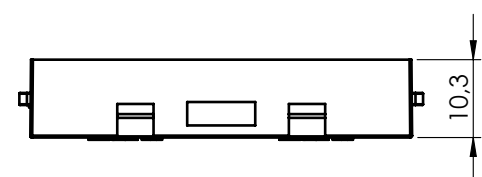
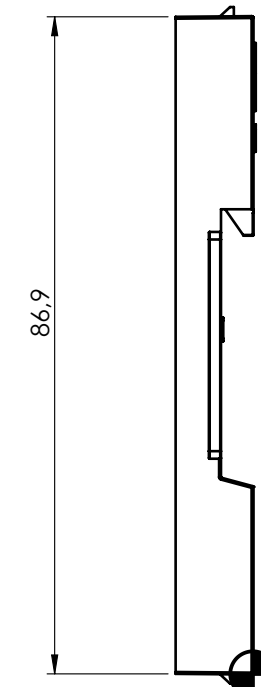
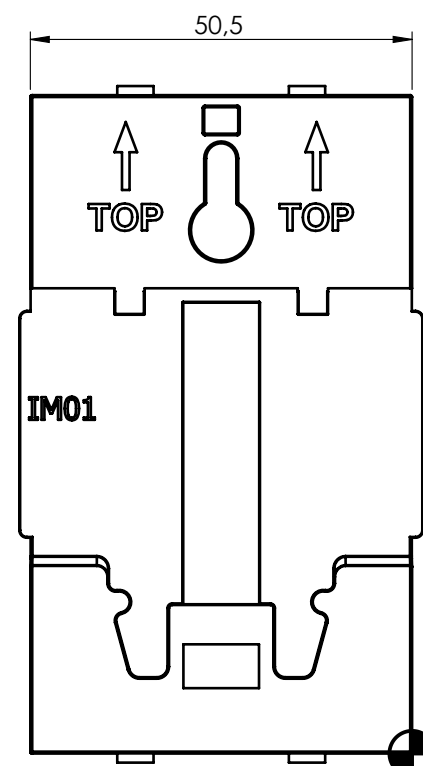


BODY ENCLOSURE

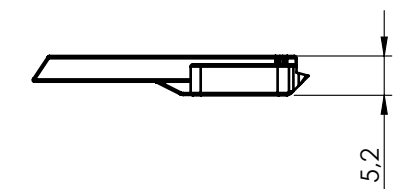
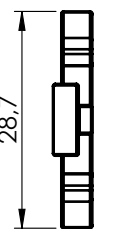
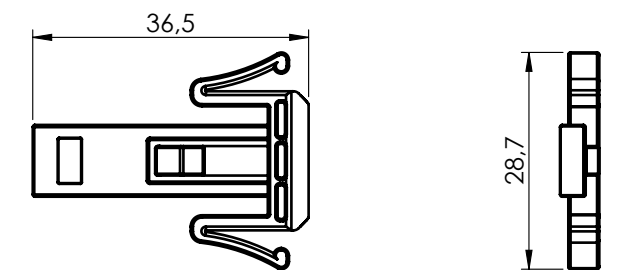


BASE



General information:
 - Workpiece zero point for mechanical processing
 - Minimum recommended radius for machining = R1.0 mm
 - Mounting rail like EN 60715: TH 35-7.5 or TH 35-15
 - Recommended PCB outline on www.italtronic.com

HOOK



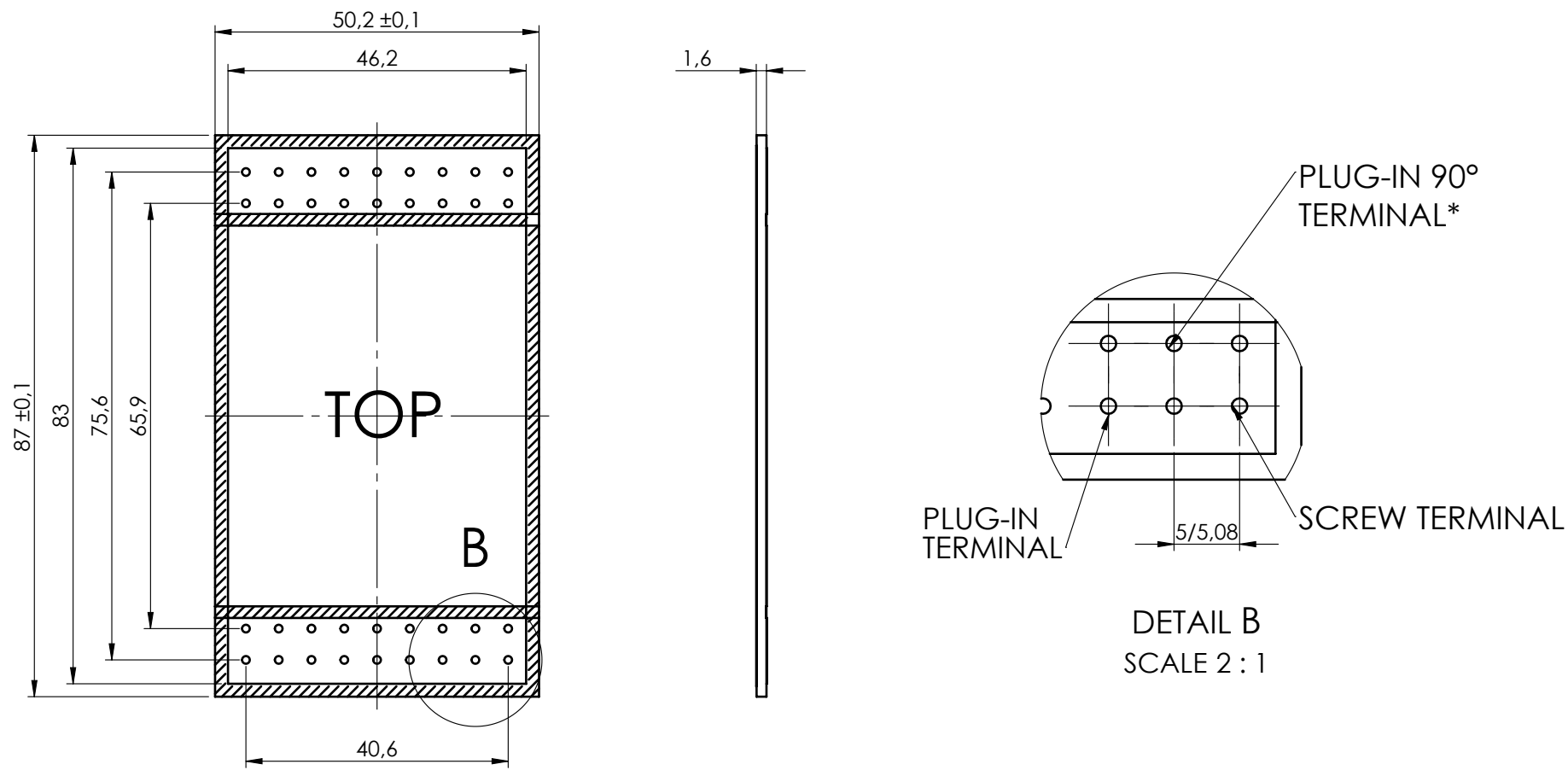
RIF.	Q.TY	DRAWING	DESCRIPTION
1	1	2_250_03677	BASE MODULBOX XT/XTS - 3M
2	1	2_250_00072	HOOK FOR MODULBOX XT-XTS
3	1	2_250_00063	BODY MODULBOX XTS 3M53-C

General Tolerance UNI EN 22768/1 Media (m)						Sheet:
from 0.5 to 3	from 3 to 6	from 6 to 30	from 30 to 120	from 120 to 400		1
± 0.1	± 0.1	± 0.2	± 0.3	± 0.5		
Scale:	IM:	Drawn:	Checked:	Date:	Material:	Process:
1:1	02	R.N.	R.N.	14/04/2023		
Dimension in mm		Replaces the:		Derived from:	Weight:	Cod. Mold:
		M-04069-01		--	gr	--

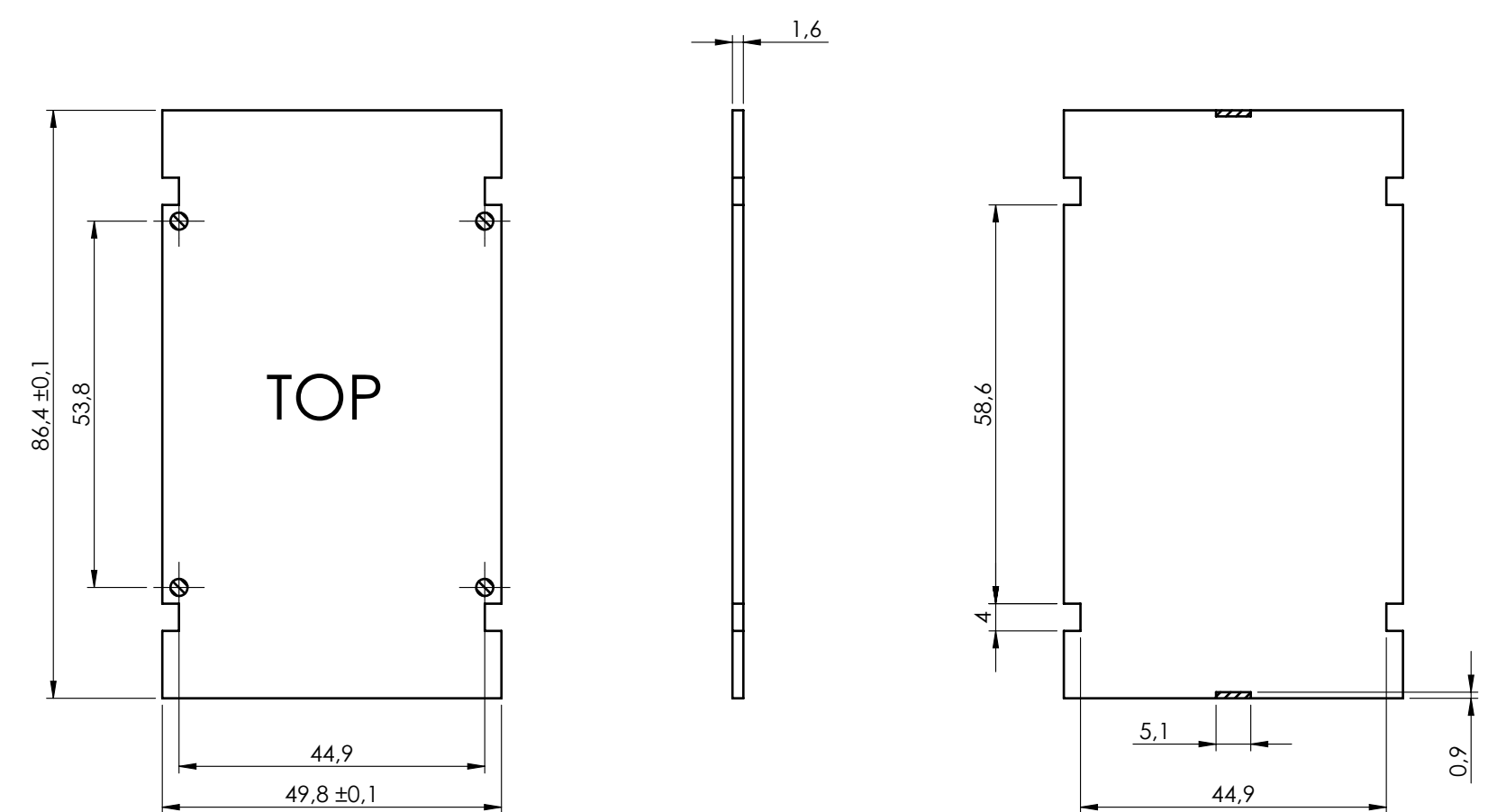
		Description:		Rev.:	
enclosures for electronics		KIT CONTENITORE MODULBOX XTS 3M53-C		00	
italtronic.com		KIT ENCLOSURE MODULBOX XTS 3M53-C		A2	
		Drawing nr.:			
		3_250_00042			

PCB A

Max height of the terminal:
 Modulbox XT/XTS: 18.5 mm
 Modulbox ONE: 20 mm

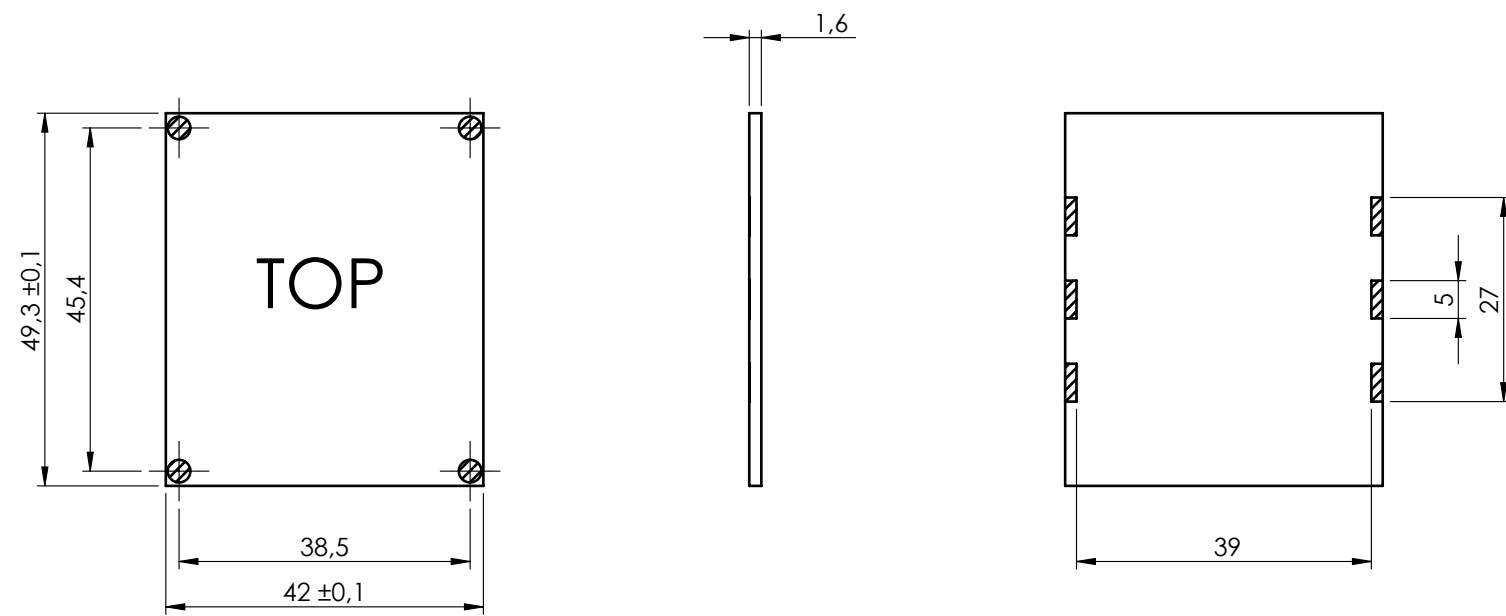


PCB B

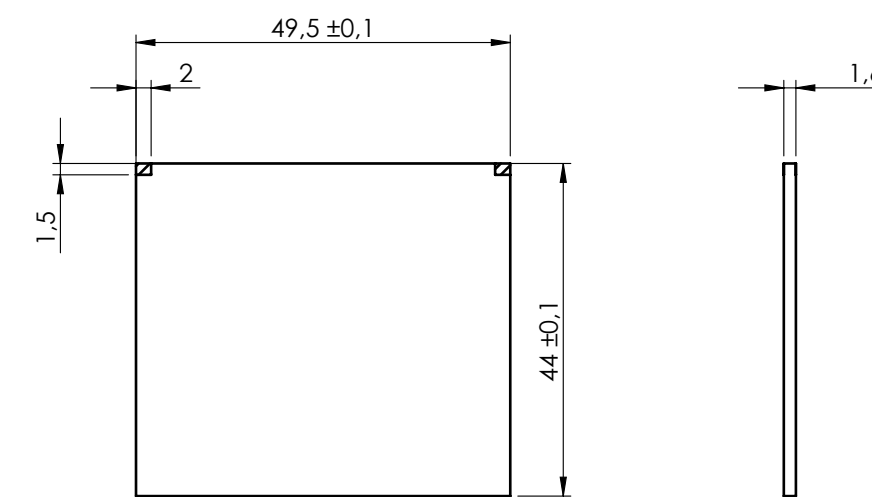


*To use the PLUG-IN terminals in Modulbox ONE use plug-in adapter P05000003E (5/5.08 pitch) and P05000004E (7.5/7.62 pitch)

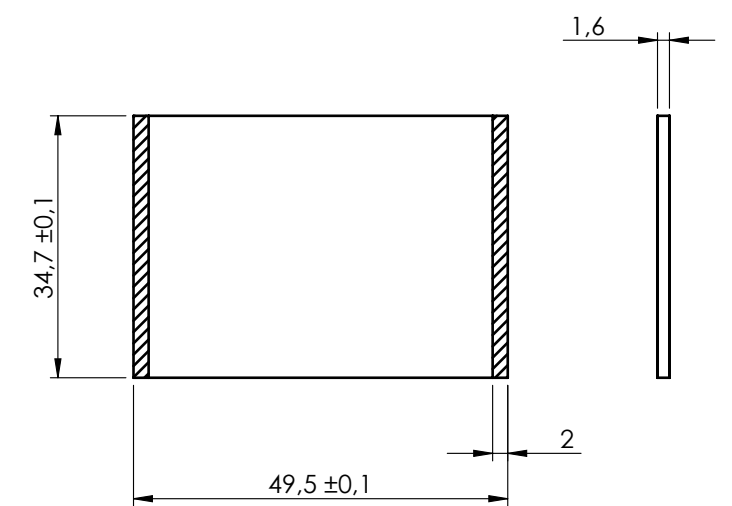
PCB C



PCB O2



PCB O1



NO COMPONENTS AREA

General Tolerance UNI EN 22768/1 Media (m)					Sheet:
from 0.5 to 3 ± 0.1	from 3 to 6 ± 0.1	from 6 to 30 ± 0.2	from 30 to 120 ± 0.3	from 120 to 400 ± 0.5	PCB
Scale: 1:1	IM: 02	Drawn: R.N.	Checked: R.N.	Date: 14/04/2023	Process:
Dimension in mm		Replaces the: M-04069-01	Derived from: --	Weight: gr	Cod. Mold: --
 italtronic.com		Description: KIT CONTENITORE MODULBOX XTS 3MS3-C KIT ENCLOSURE MODULBOX XTS 3MS3-C			Rev.: 00
Drawing nr.: 3_250_00042				A2	