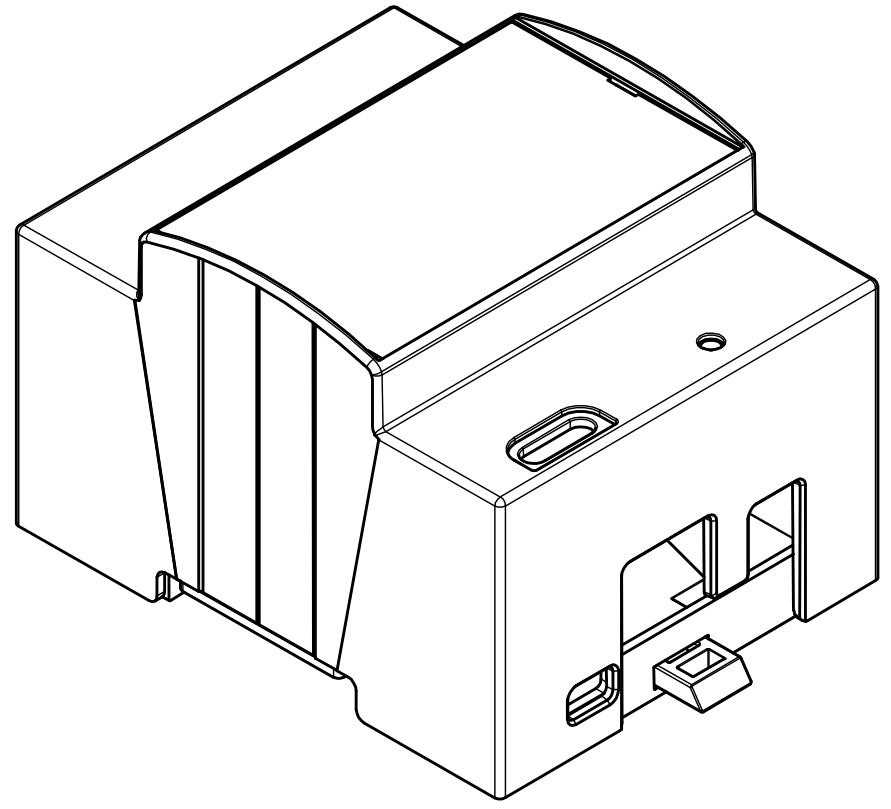
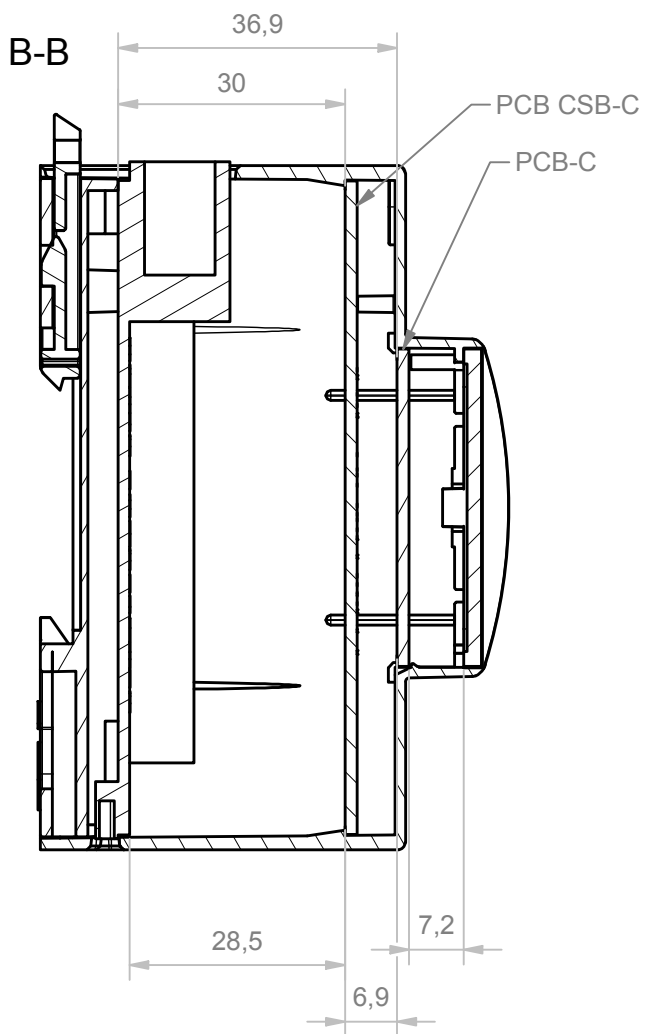


PCB TYPE	PCB DIMENSION	TOLERANCE
B	67.6X86.4	+/- 0.1 mm
C	67.4X42.0	+/- 0.1 mm



RIF.	Q.TY	DESCRIPTION	DRAWING
1	1	BASE 4M XT BEAGLEBONE	2_050_00021
2	1	BODY 4M53-C XTS BEAGLEBONE	2_250_00066
3	1	PANEL 4M WITHOUT FRAME	2_250_00088
4	1	MODULAR HOOK LONG	2_250_00072
5	2	SCREW d 2.9 X 6.5 TC+ TRUNK-POINT	8_100_00003

General Tolerance UNI EN 22768/1 Media (m)				
from 0.5 to 3	from 3 to 6	from 6 to 30	from 30 to 120	from 120 to 400
± 0.1	± 0.1	± 0.2	± 0.3	± 0.5

Scale: 1 : 1	Sheet nr.: 1 / 1	Drawn: F.F.	Checked:	Date: 24/08/2018
--------------	------------------	-------------	----------	------------------

Material:	Weight:	Cod. Mold:
	-	-

 enclosures for electronics italtronic.com	Description:	KIT 4M BEAGLEBONE BLACK KYT 4M BEAGLEBONE BLACK
	Drawing nr.	3_250_00048

01	Revision description
01	

24/08/2018 F.F. Updated cartouche with new code (code passed M-05339-01)

RESERVED PROPERTY: The present drawing cannot be reproduced or communicated to 3rd parties, even partially, without the authorization of ITALTRONIC Srl. Italtronic reserves to protect its own rights according to the law.