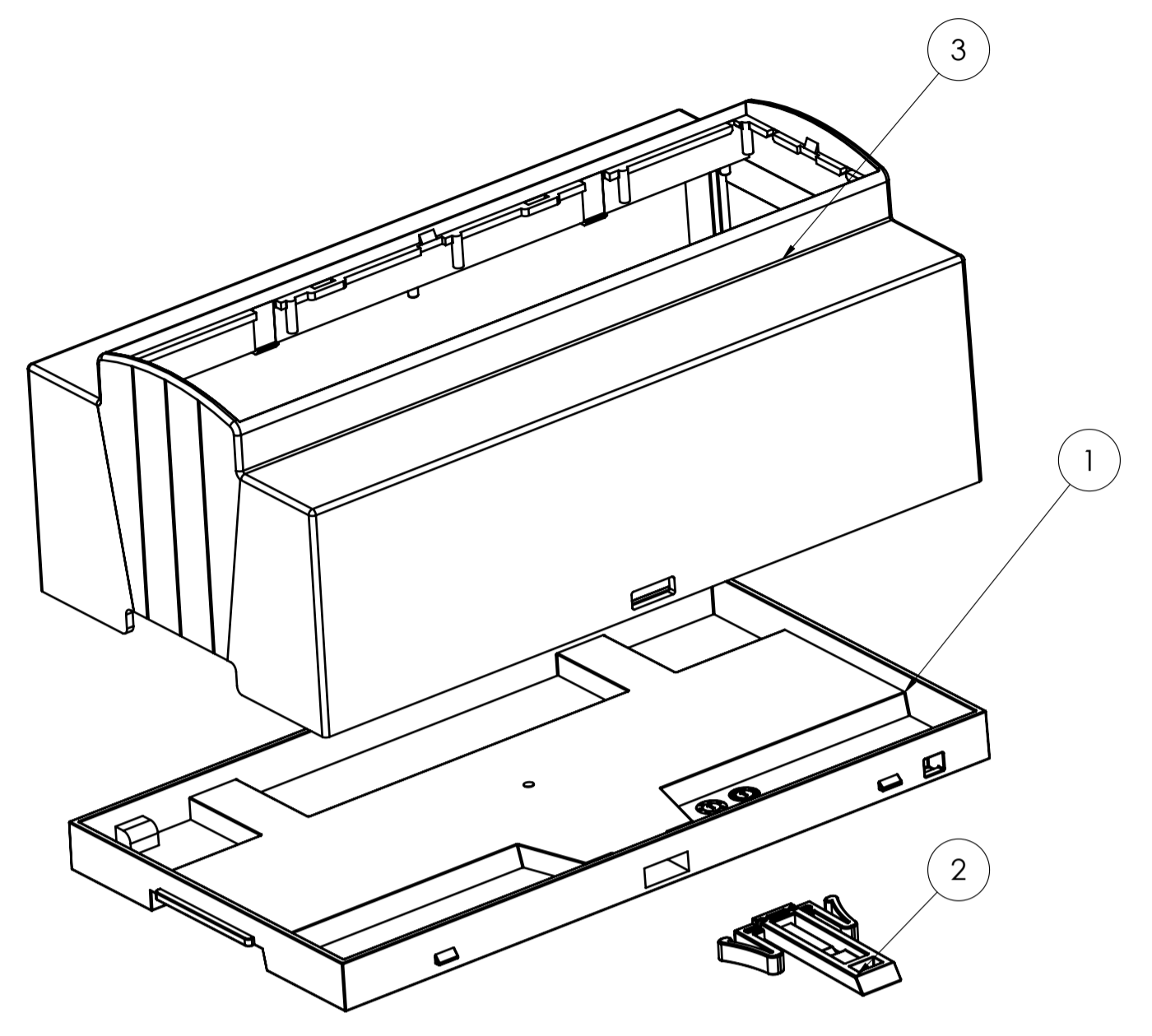
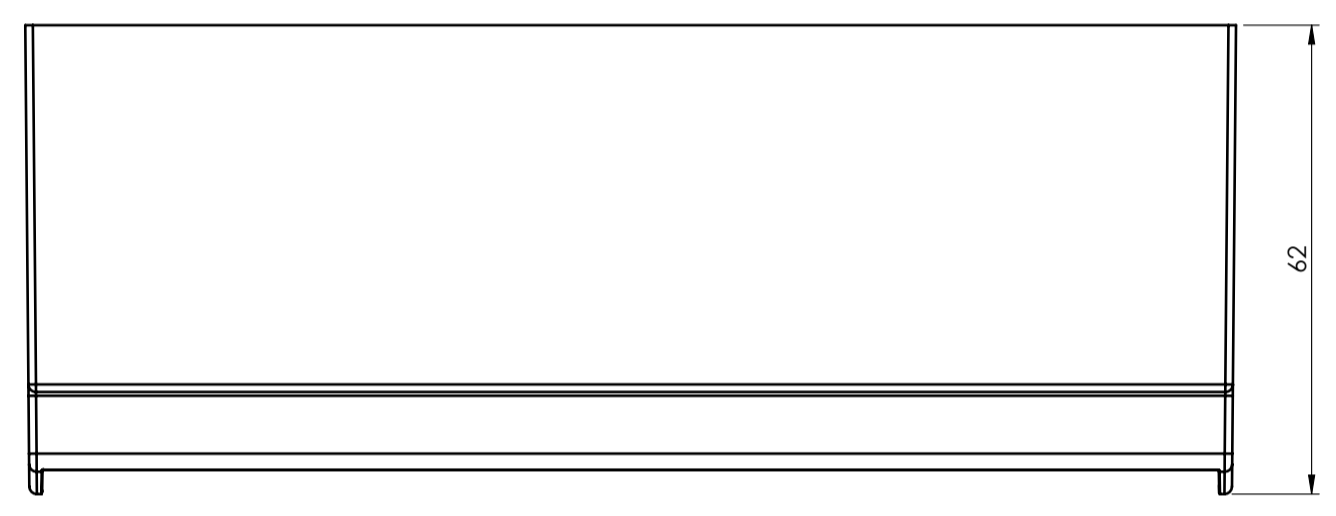
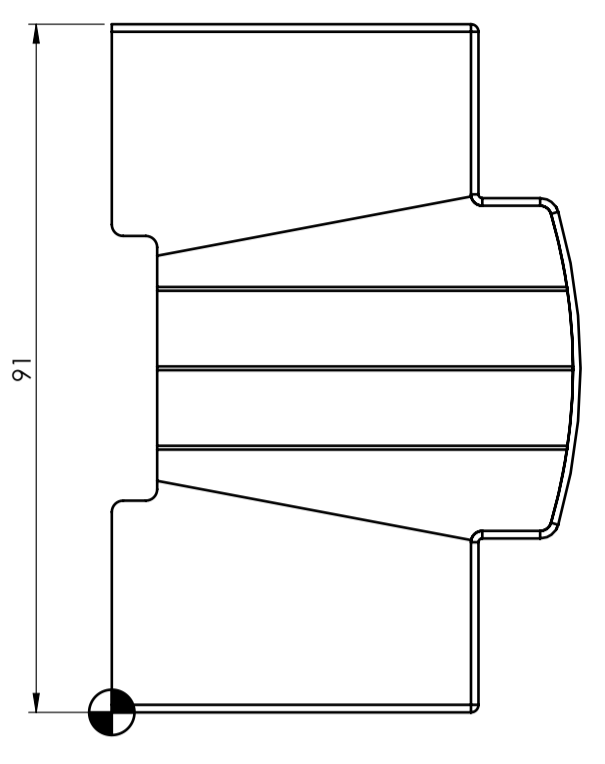
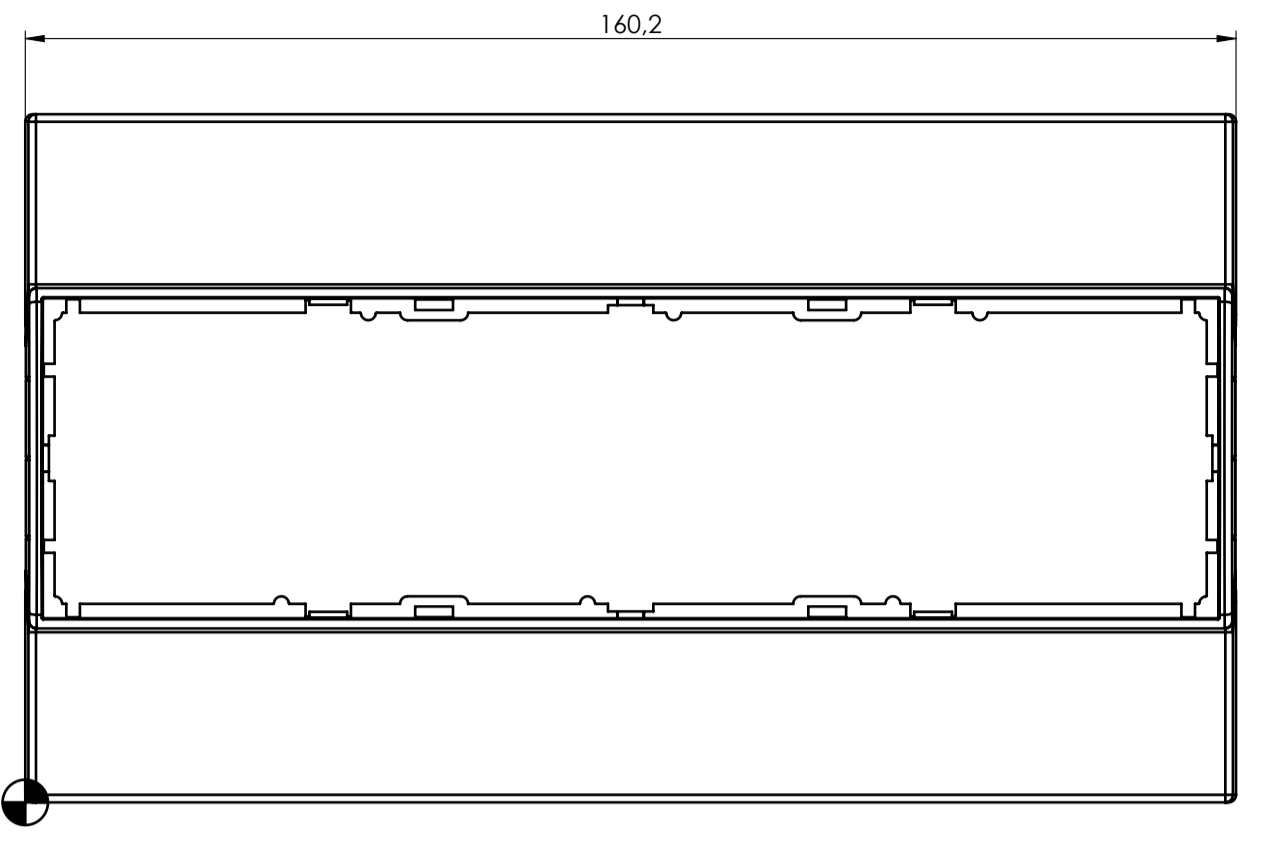
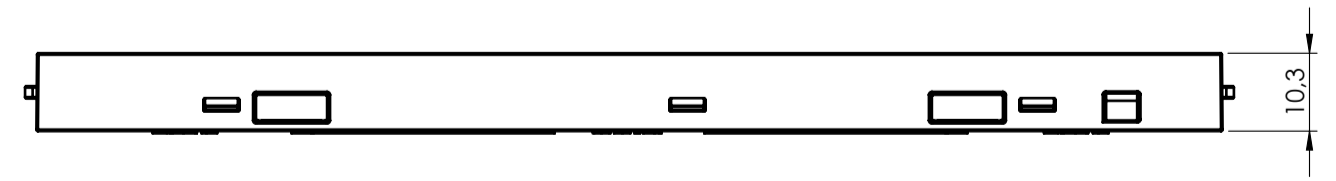
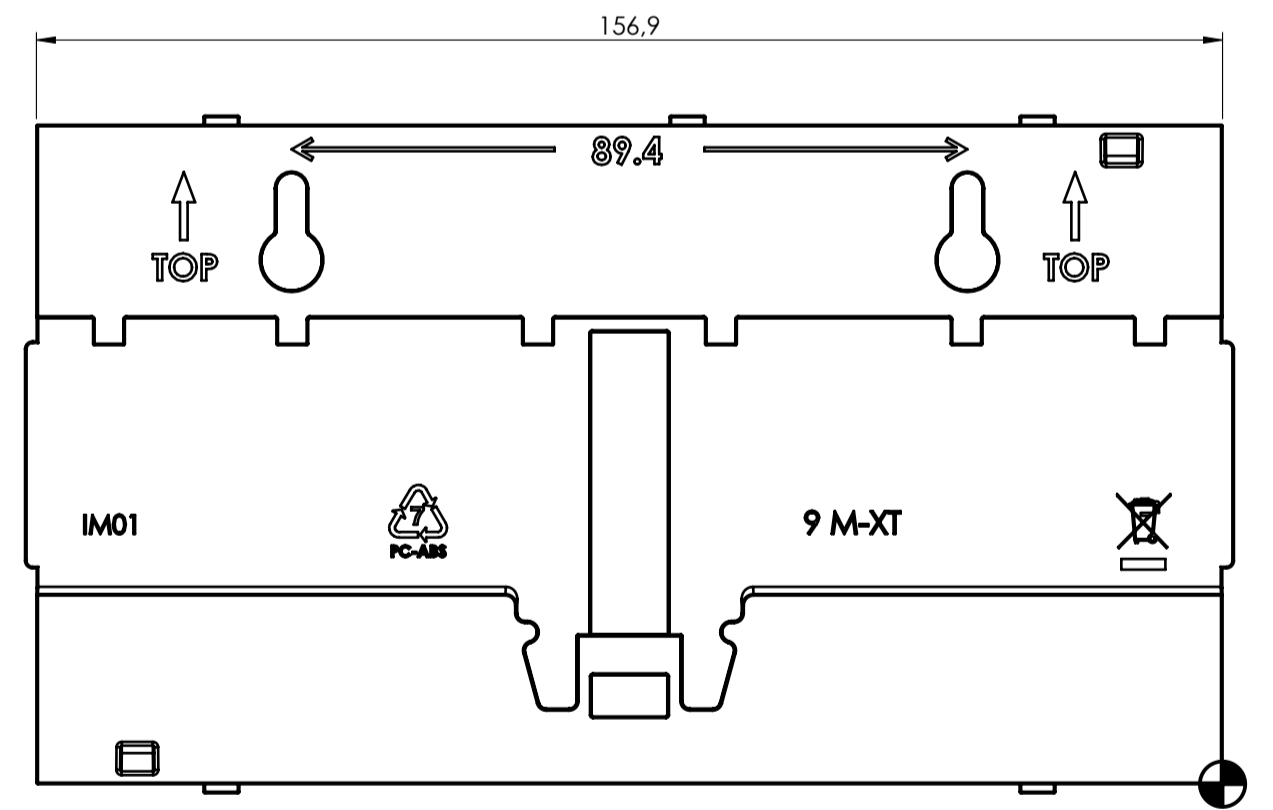


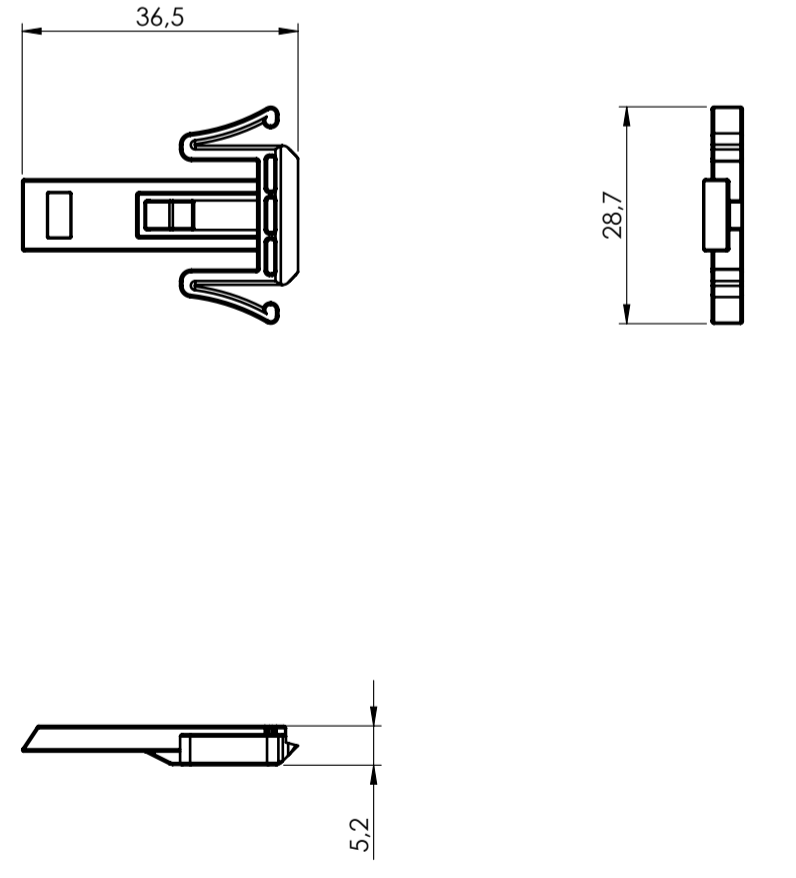
BODY ENCLOSURE



BASE



HOOK



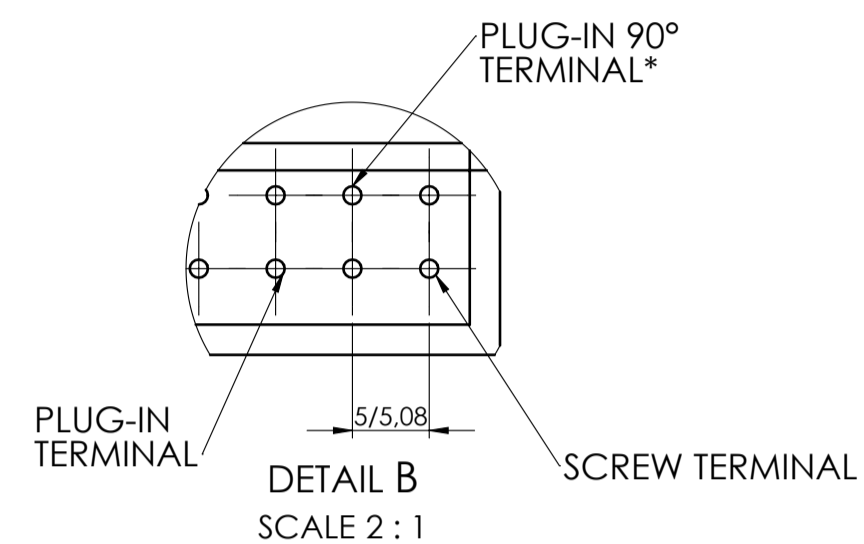
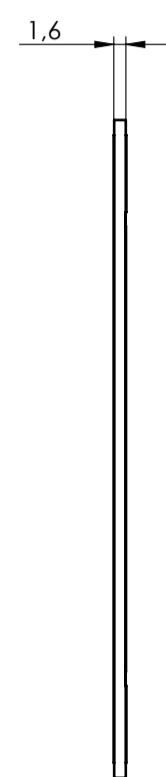
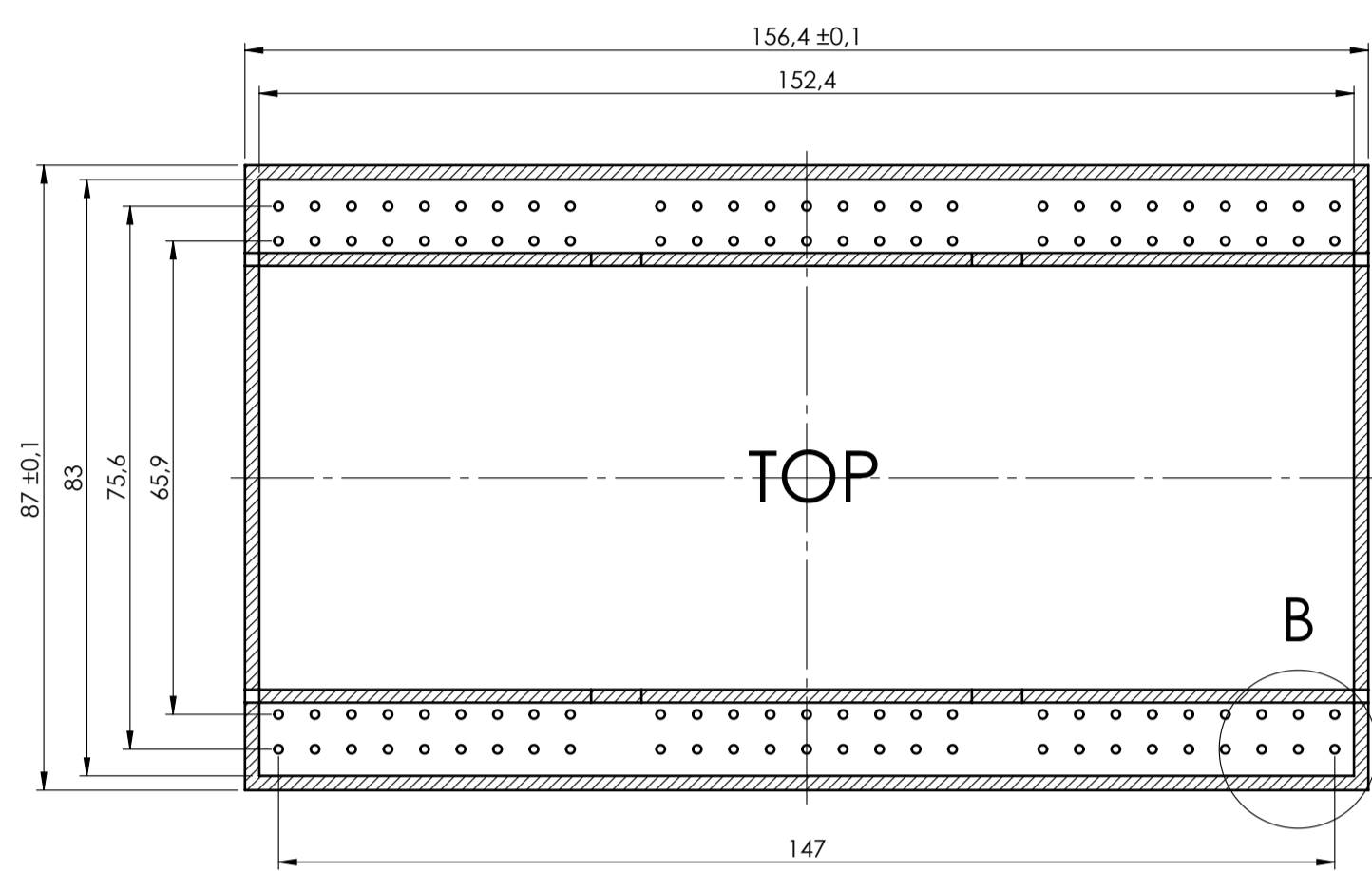
General information:
 - Workpiece zero point for mechanical processing
 - Minimum recommended radius for machining = R1.0 mm
 - Mounting rail like EN 40715: TH 35-7.5 or TH 35-15
 - Recommended PCB outline on www.italtronic.com

RIF.	Q.TY	DRAWING	DESCRIPTION
1	1	2_250_00086	BASE 9M MODULBOX XT-XTS
2	1	2_250_00072	HOOK FOR MODULBOX XT-XTS
3	1	2_250_03667	BODY MODULBOX XTS 9M53-C

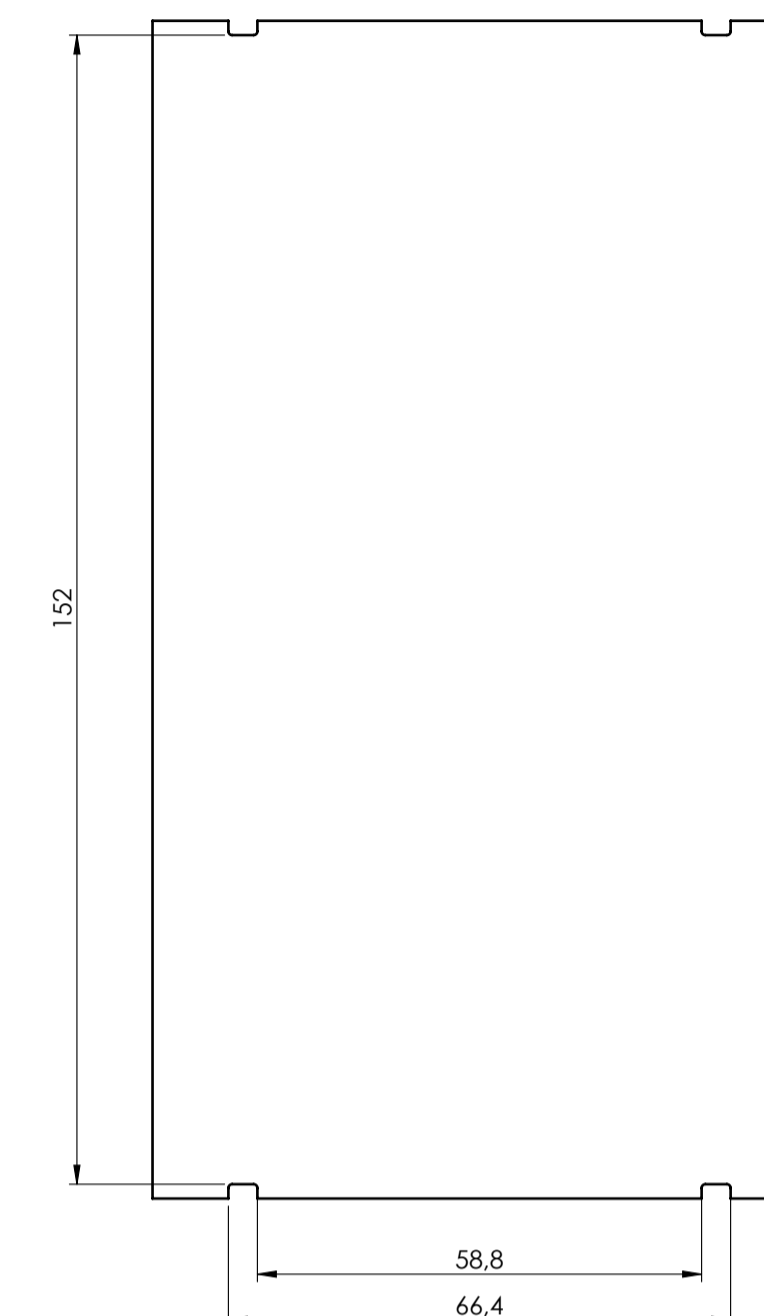
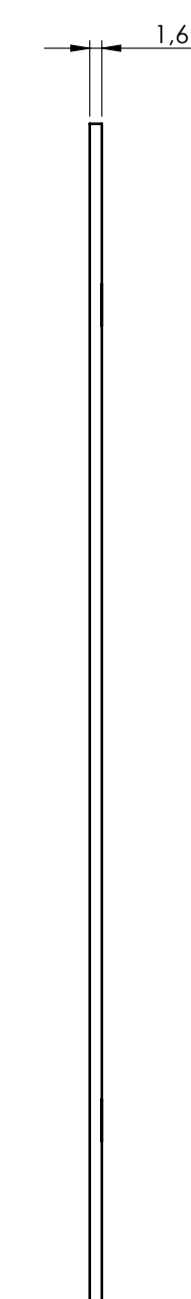
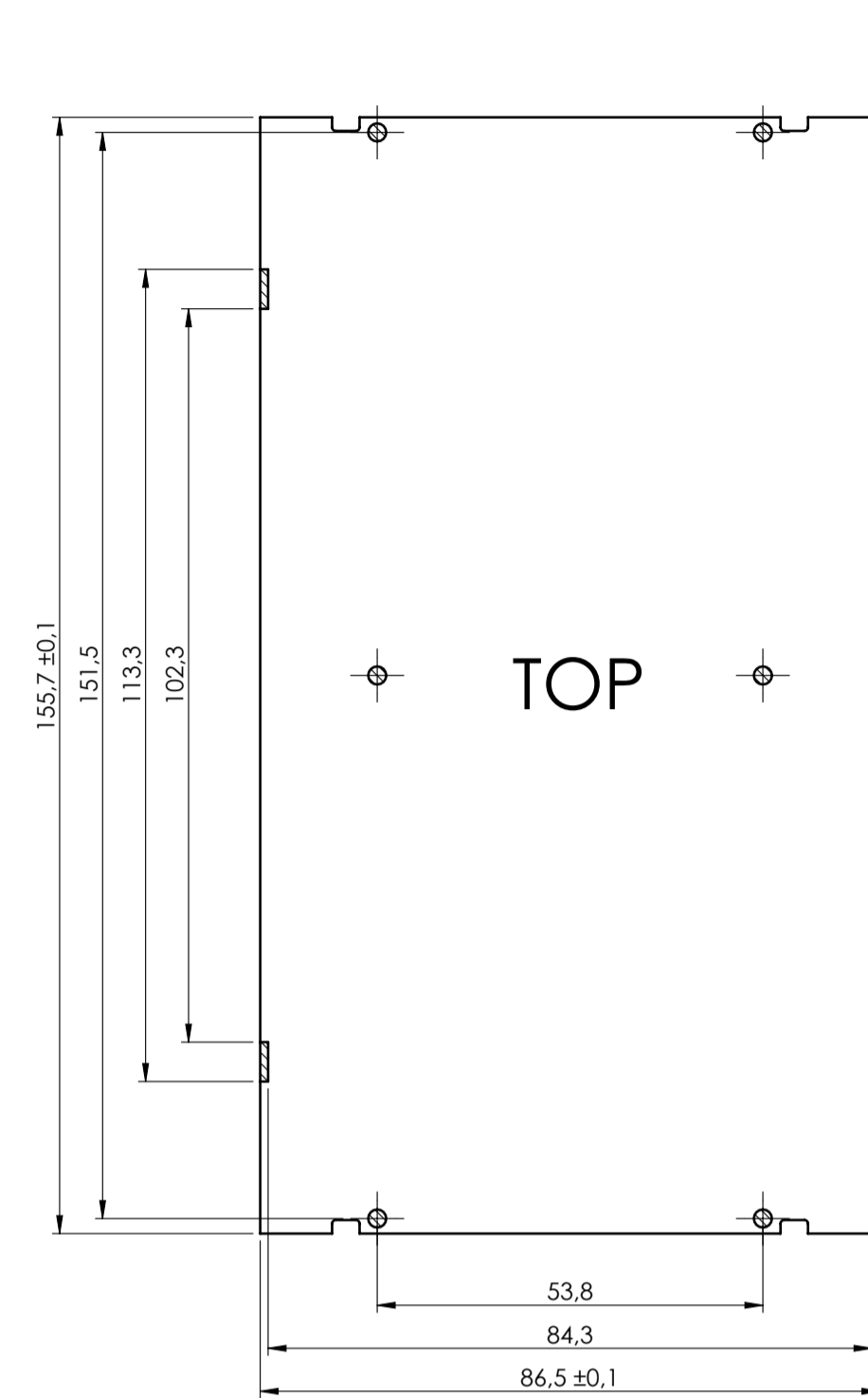
General Tolerances (UNE EN 22768/1 - Media 1mm)	Sheet:	1
from 0.5 to 3 ±0.1	from 3 to 6 ±0.1	from 6 to 30 ±0.2
from 30 to 120 ±0.3	from 120 to 400 ±0.5	
Scale:	Drawn:	Checked:
1:1	R.N.	04/05/2023
Material:	Weight:	Cod. Mold:
	gr	--
Description: KIT CONTENITORE MODULBOX XTS 9M53-C KIT ENCLOSURE MODULBOX XTS 9M53-C Drawing nr. 3_250_00107 Rev.: - A1		

PCB A

Max height of the terminal:
 Modulbox XT/XTS: 18.5 mm
 Modulbox ONE: 20 mm

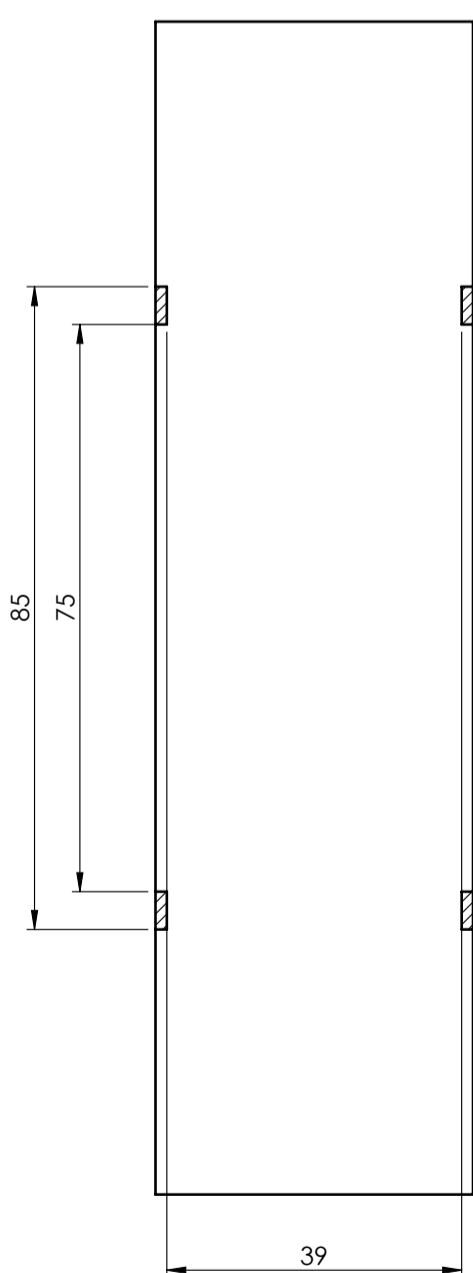
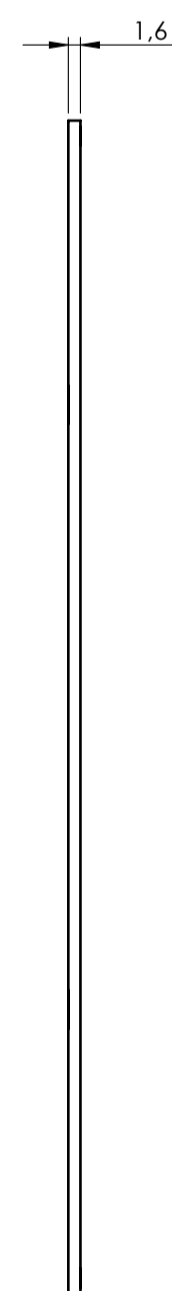
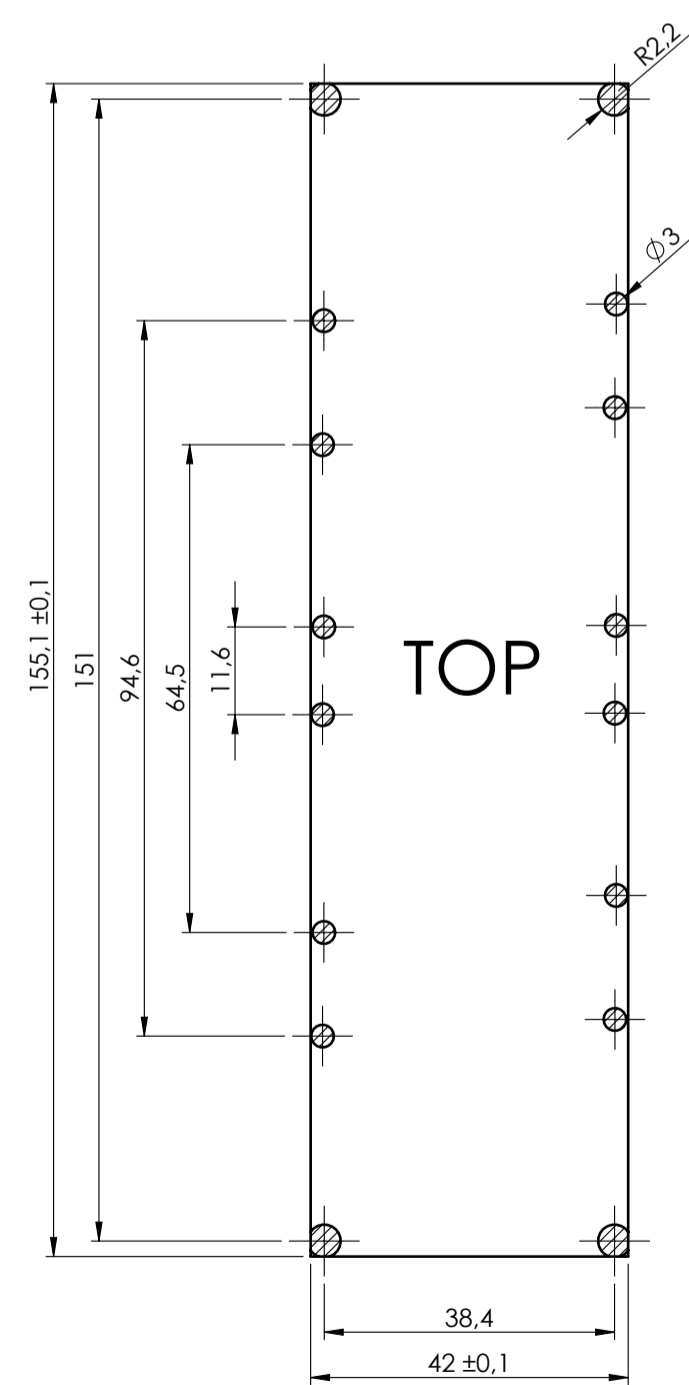


PCB B

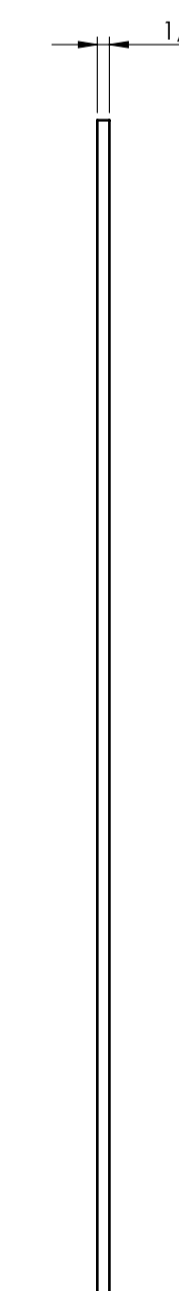
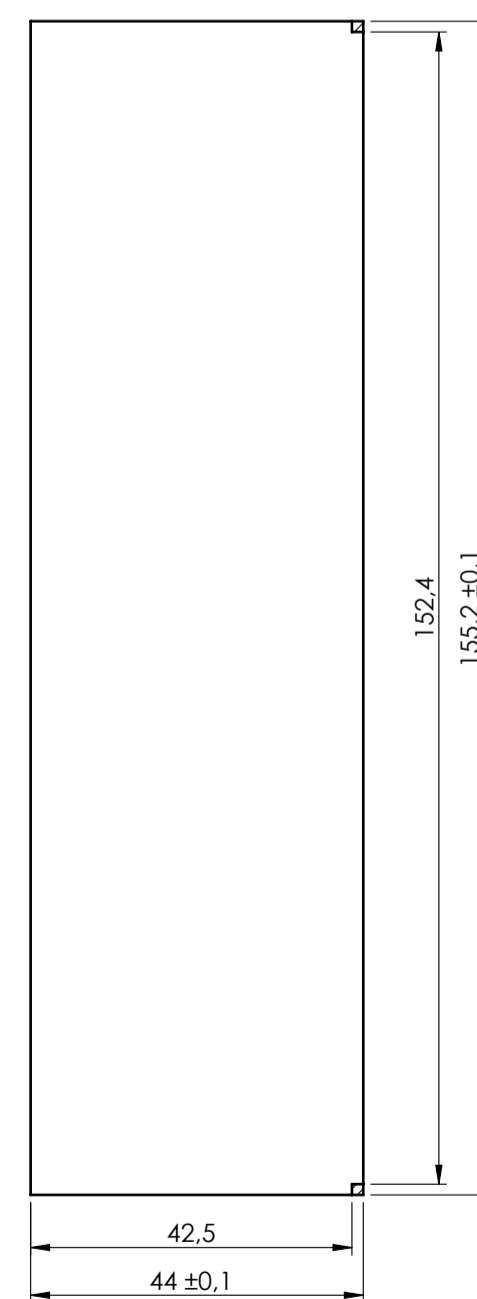


*To use the PLUG-IN terminals in Modulbox ONE use plug-in adapter P05000003E (5/5.08 pitch) and P05000004E (7.5/7.62 pitch)

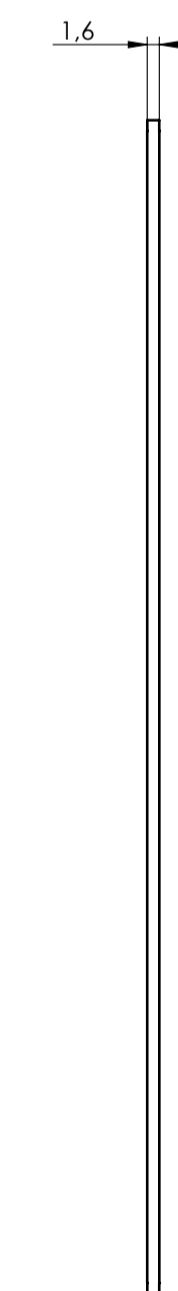
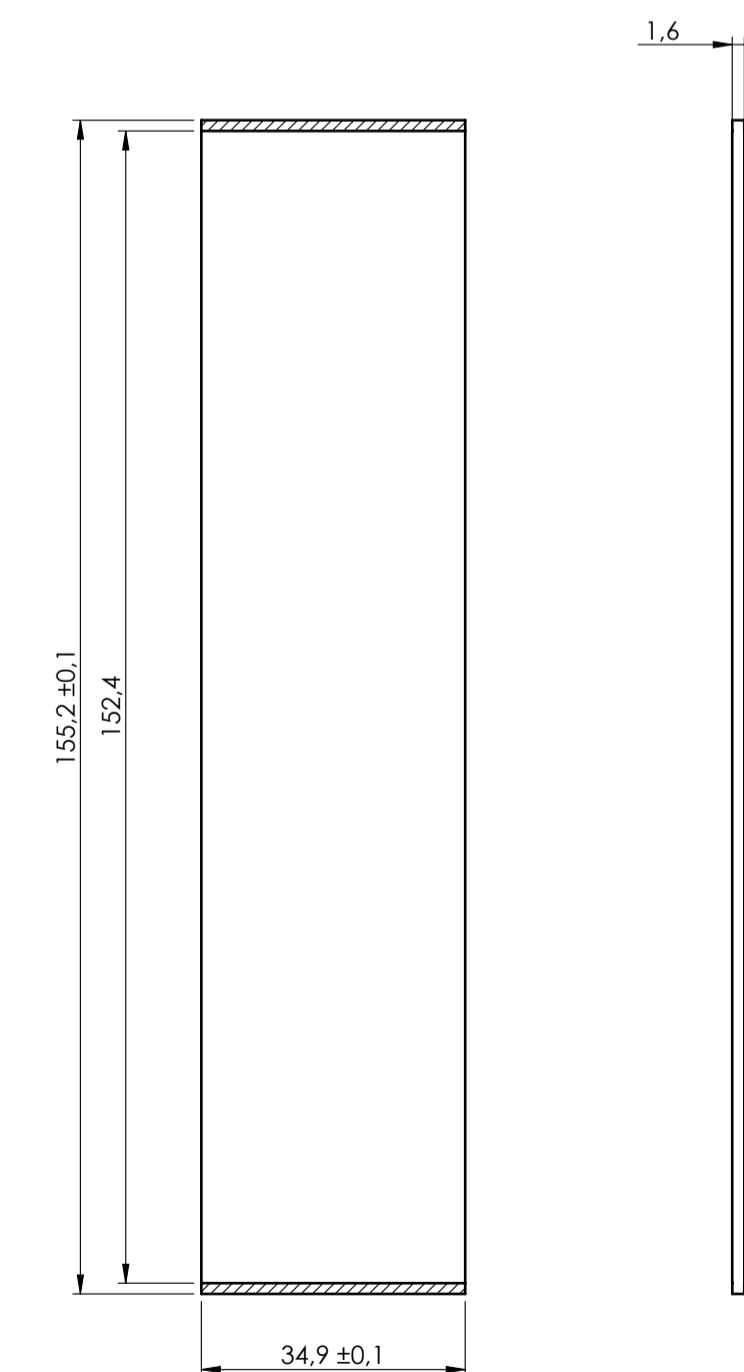
PCB C



PCB V2



PCB V2



General Tolerance IIR EN 22768/1 Media (m)				Sheet:	
from 0.5 to 3 ± 0.1	from 3 to 6 ± 0.1	from 6 to 30 ± 0.2	from 30 to 120 ± 0.3	from 120 to 400 ± 0.5	PCB
Scale:	Drawn:	Checked:	Date:	Material:	Process:
1:1		R.N.	04/05/2023		
Dimension in mm	Description:		Weight:	Cod. Mold:	
	KIT CONTENITORE MODULBOX XTS 9M53-C KIT ENCLOSURE MODULBOX XTS 9M53-C		gr	--	
 enclosures for electronics italtion.com		Drawn by: 3.250_00107	Rev:		A1
					-

NO COMPONENTS AREA