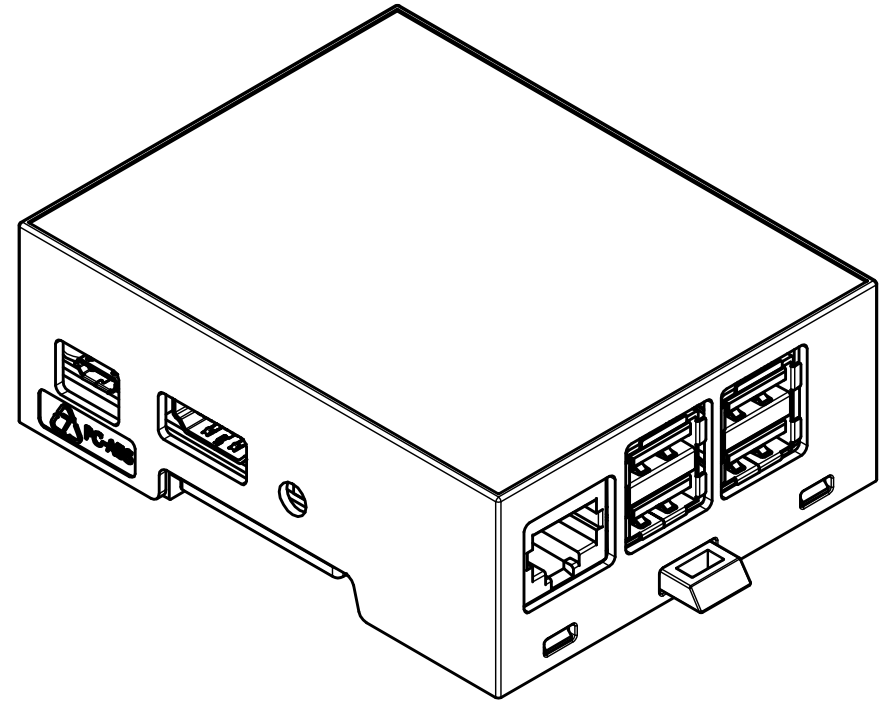
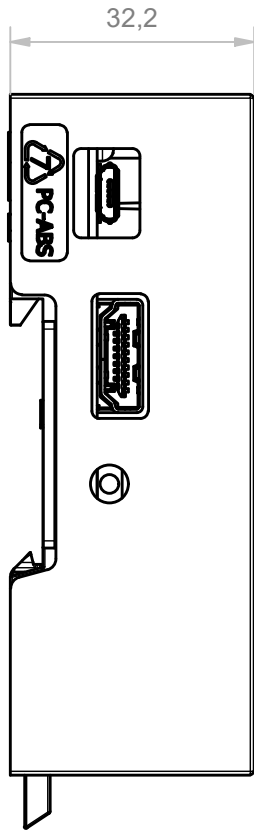
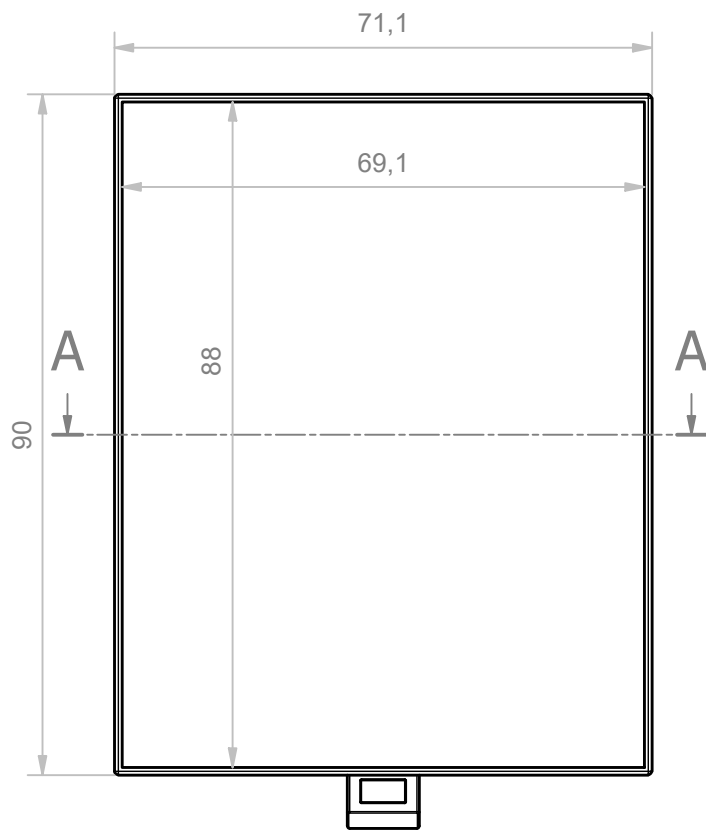
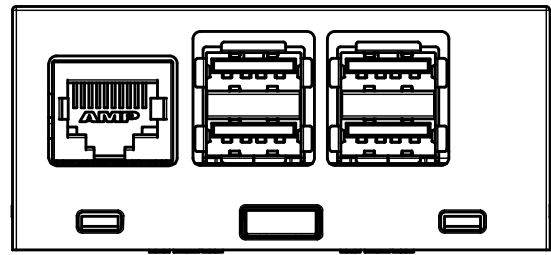
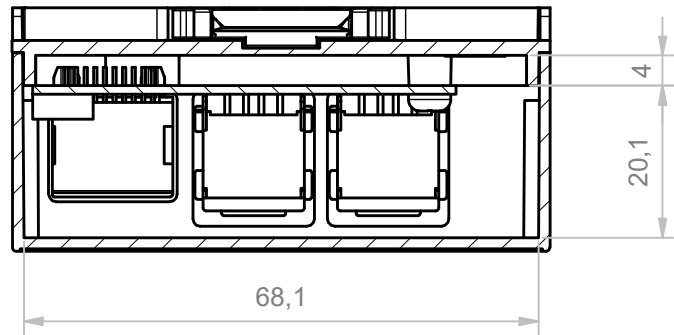


D  
C  
B  
A

D  
C  
B  
A



A-A (1:1)



RIF.	Q.TY	DESCRIPTION	CODE
1	1	BASE 4M XT RASPBERRY B+/A+/ODROID	M-05556
2	2	SCREW 2.9X6.5 d TRUNC	PM10012021
3	1	HOOK MODULBOX LONG	M-01900
4	1	BODY 4MC33-C XTS COMPACT ODROID C1+	M-06463

General Tolerance UNI EN 22768/1 Media (m)				
da 0.5 a 3	da 3 a 6	da 6 a 30	da 30 a 120	da 120 a 400
± 0.1	± 0.1	± 0.2	± 0.3	± 0.5
Scale: 1 : 1	Sheet nr.: 1 / 1	Drawn: Rigato N.	Checked: Fanin F.	Date: 18/01/2017
Dimension in mm		Material:	Weight:	Cod. Mold:
Description: KIT 4M XTS COMPACT ODROID C1+		Drawing nr. M-06855-00		
				Rev.

RESERVED PROPERTY: The present drawing cannot be reproduced or communicated to 3rd parties, even partially, without the authorization of ITALTRONIC Srl. Italtronic reserves to protect its own rights according to the law.

6

1

5

1

4

3

1

2

1

1

6

1

5

1

4

3

1

2

1

1