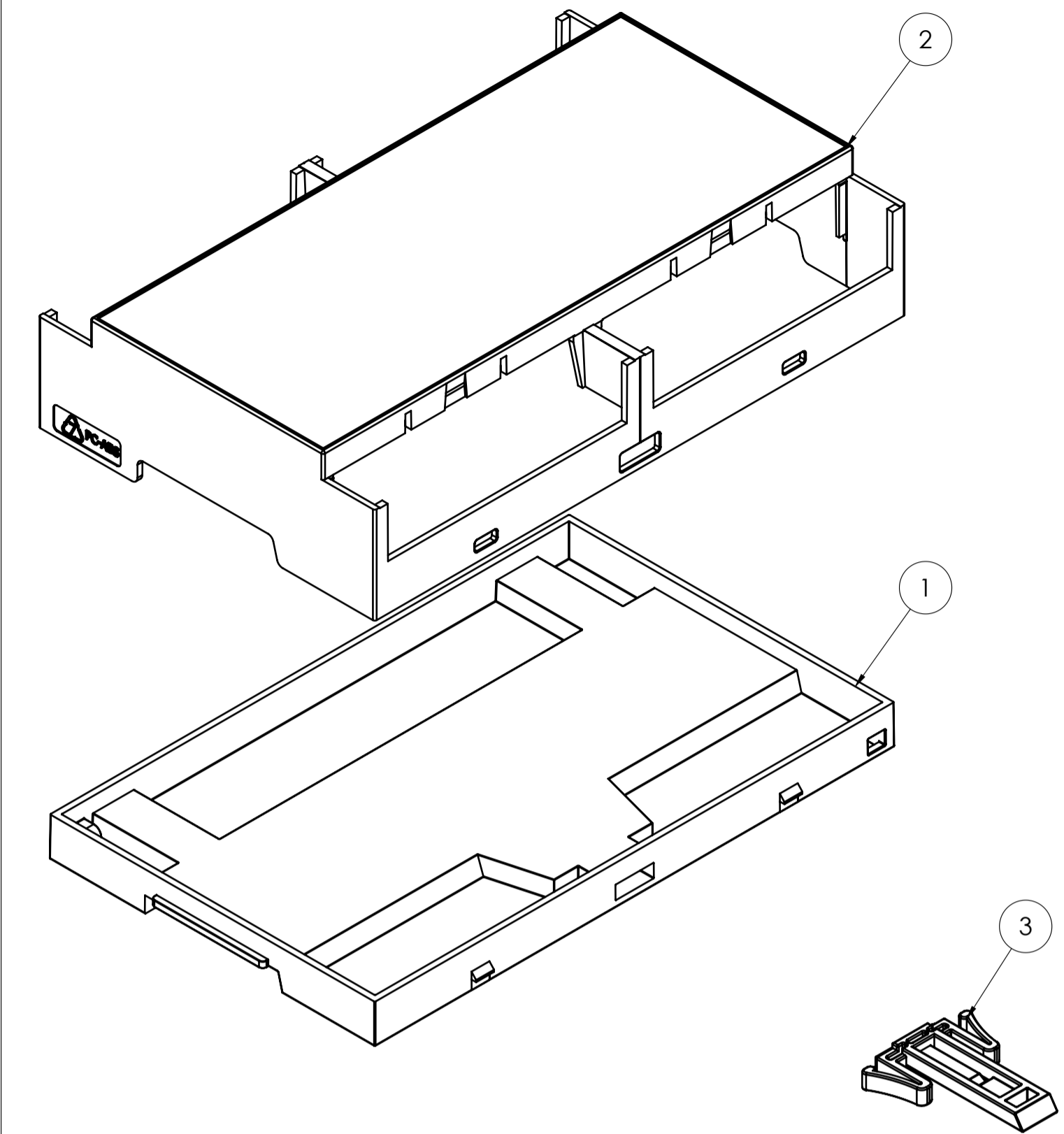
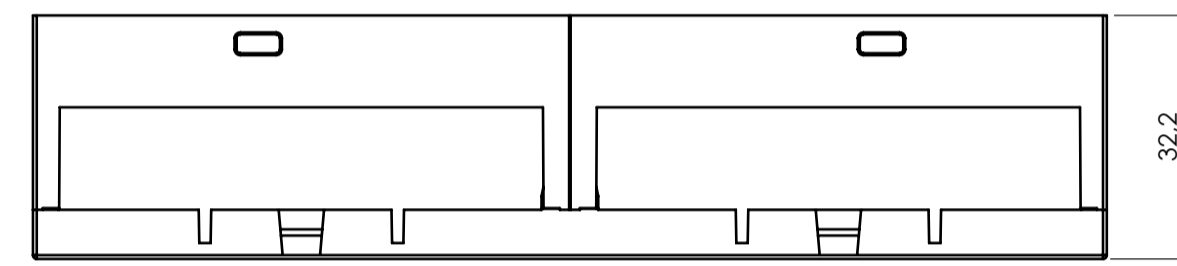
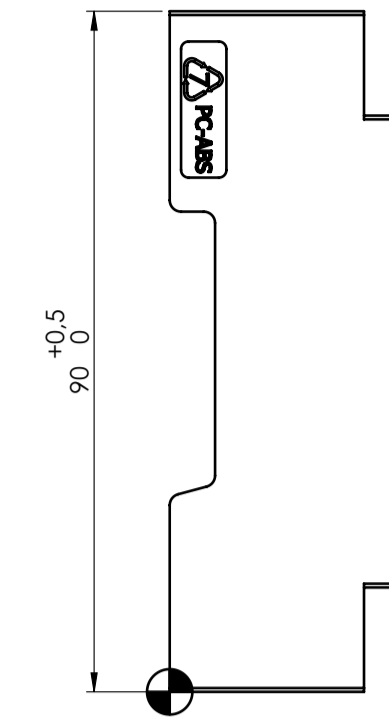
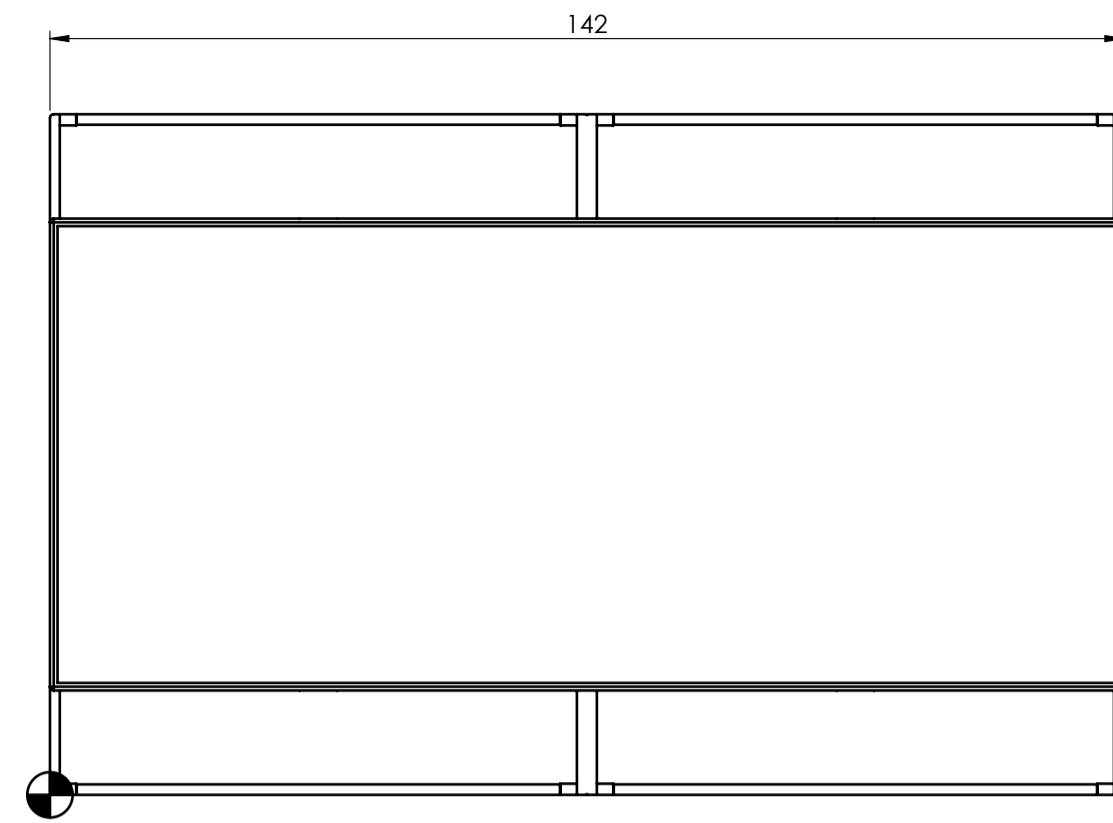
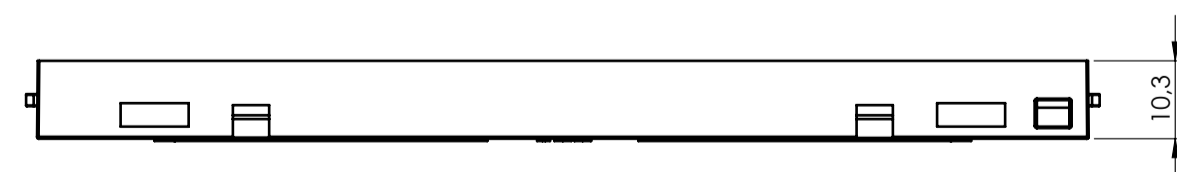
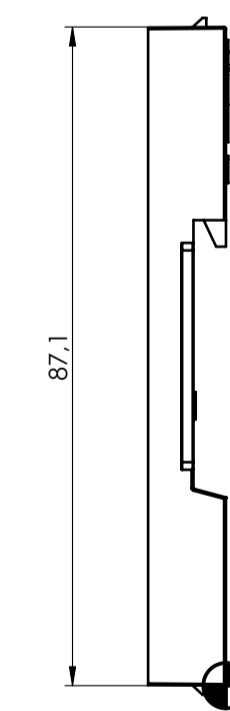
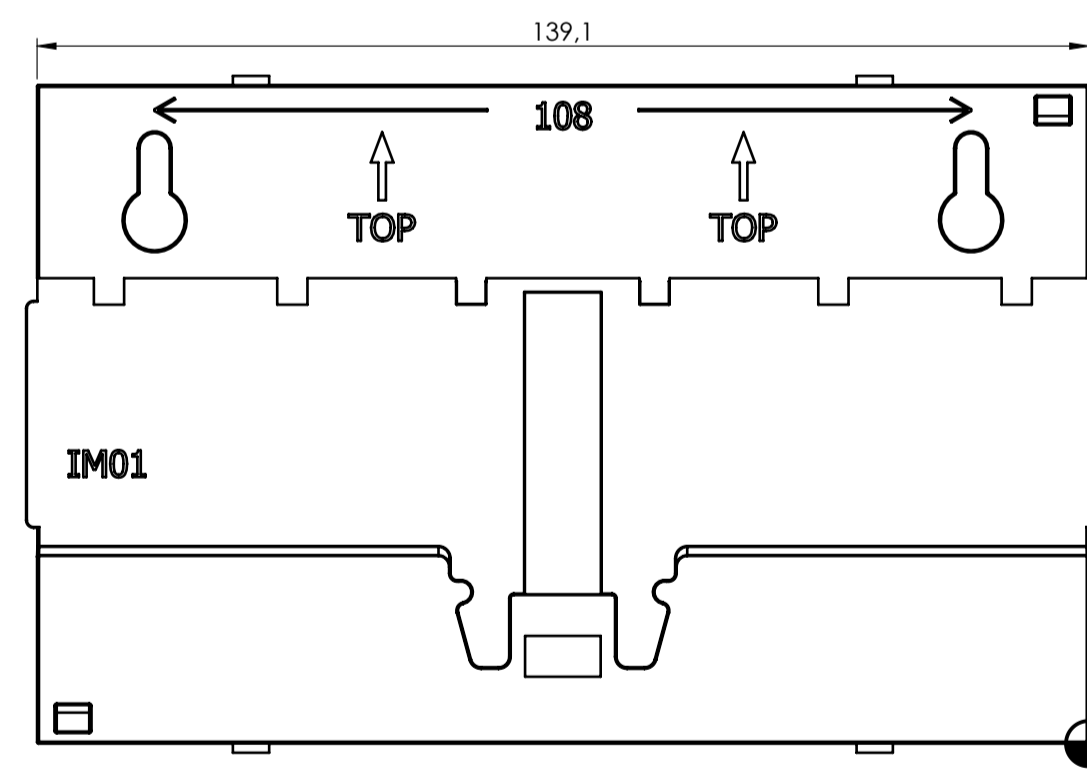


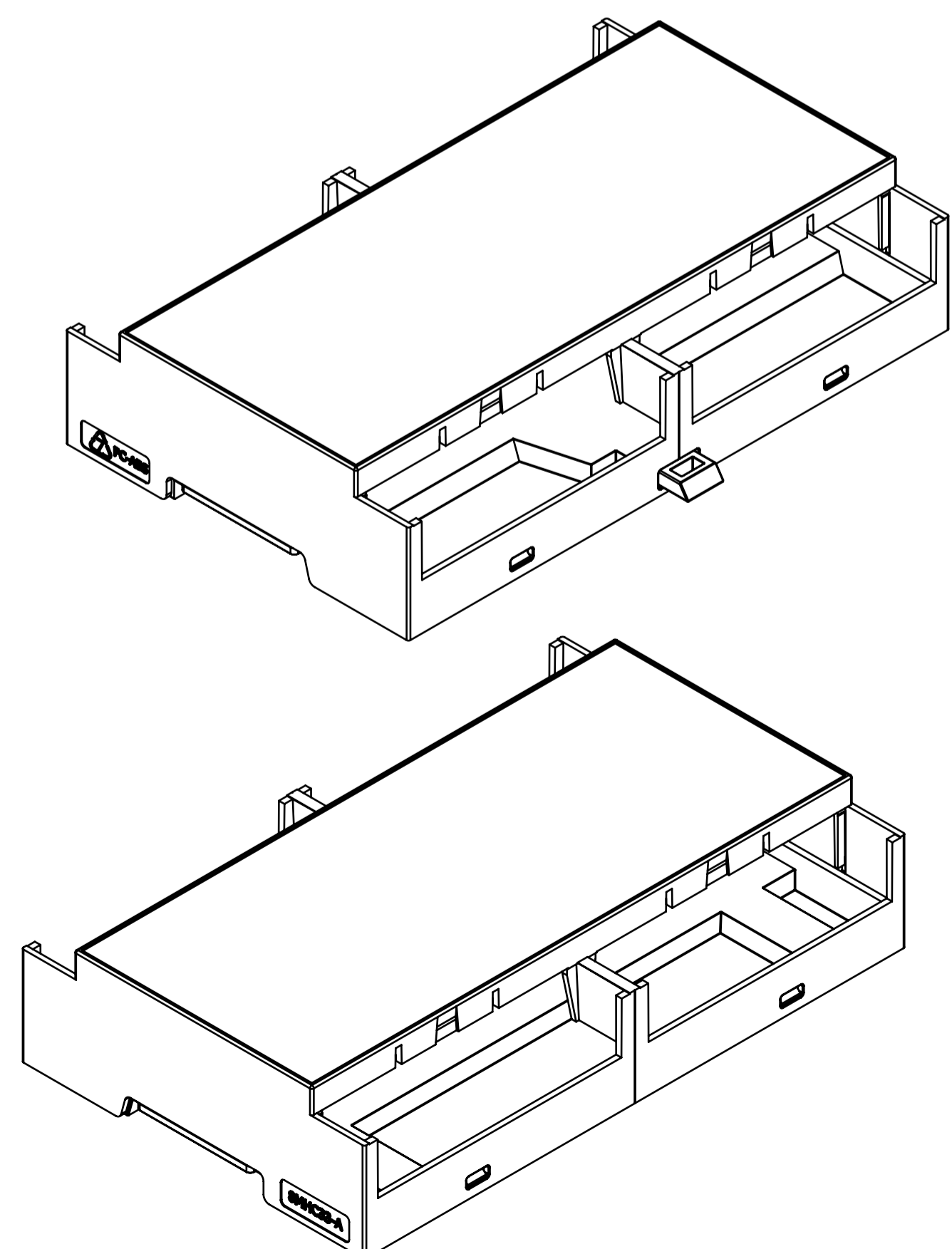
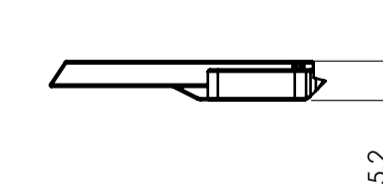
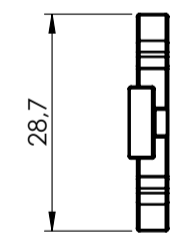
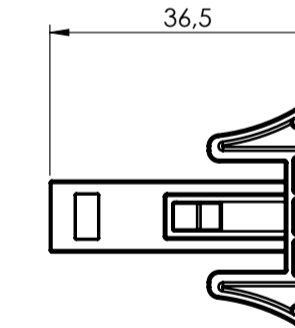
BODY ENCLOSURE



BASE



HOOK



General information:
 - Workpiece zero point for mechanical processing
 - Minimum recommended radius for machining = R1.0 mm
 - Mounting rail like EN 60715: TH 35-7.5 or TH 35-15
 - Recommended PCB outline on www.italtronic.com
 - Medium thickness = 1.5 mm

REF.	Q.TY	DRAWING	DESCRIPTION
1	1	2_250_03649	BASE MODULBOX XT/XTS - BM
2	1	2_250_00015	BODY MODULBOX XTS BMHC33-A CLOSED COMPACT
3	1	2_250_00072	HOOK FOR MODULBOX XT-XTS

General Tolerances (UNE EN 22768/1 Medio [M])

from 0.5 to 3	from 3 to 6	from 6 to 30	from 30 to 120	from 120 to 400	Sheet:
± 0.1	± 0.1	± 0.2	± 0.3	± 0.5	1

Scale: 1:1
 Dimension in mm
 M.S.
 R.N.
 14/03/2024
 M-05181-00
 gr
 --

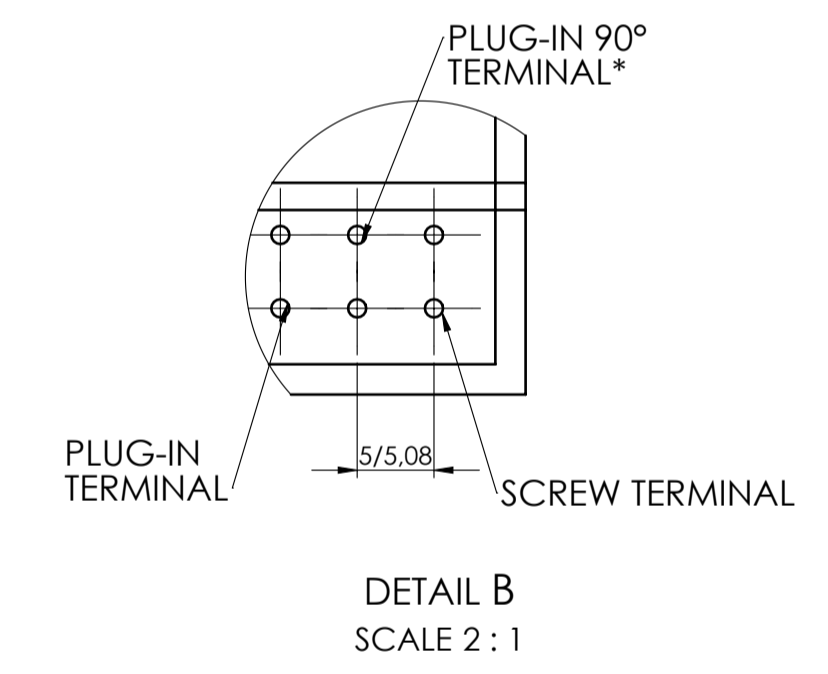
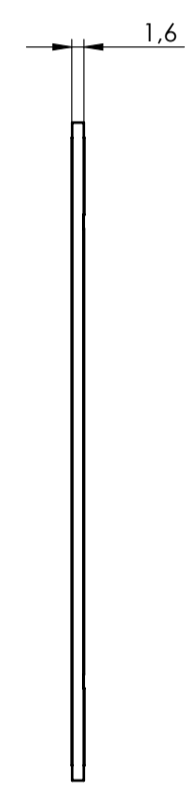
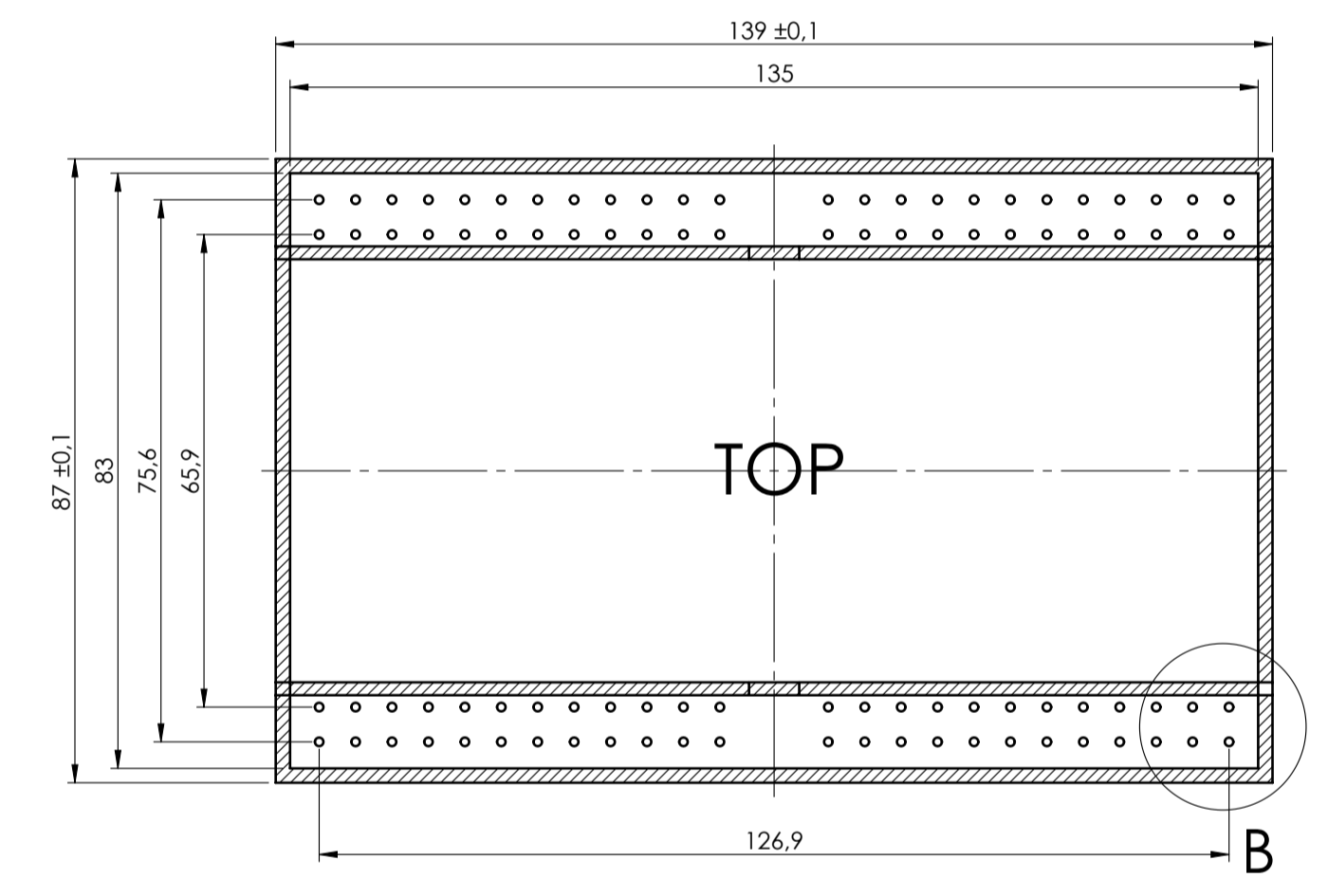
Replaces the: --
 Derived from: --
 Weight: --
 Cod. Mold: --

Description:
 KIT CONTENITORE MODULBOX XTS COMPACT BMHC33-A
 KIT ENCLOSURE MODULBOX XTS COMPACT BMHC33-A

italtronic
 enclosures for electronics
 3_250_00016
 00 A1

PCB A

Max height of the terminal:
Modulbox XT/XTS: 18.5 mm



General Tolerance IIR EN 22768/1 Media [m]					Sheet:
from 0.5 to 3	from 3 to 6	from 6 to 30	from 30 to 120	from 120 to 400	PCB
±0.1	±0.1	±0.2	±0.3	±0.5	Process:
Scale:	1:1	1:1	1:1	1:1	Material:
IM:	M.S.	R.N.	14/03/2024	Weight:	Cod. Mold:
Dimension in mm	Replaces the:		Derived from:	gr	--
Description:		KIT CONTENITORE MODULBOX XTS COMPACT BMHC33-A			Rev: 00
Drawing by:		3_250_00016			A1
Drawing by:		3_250_00016			

NO COMPONENTS AREA

