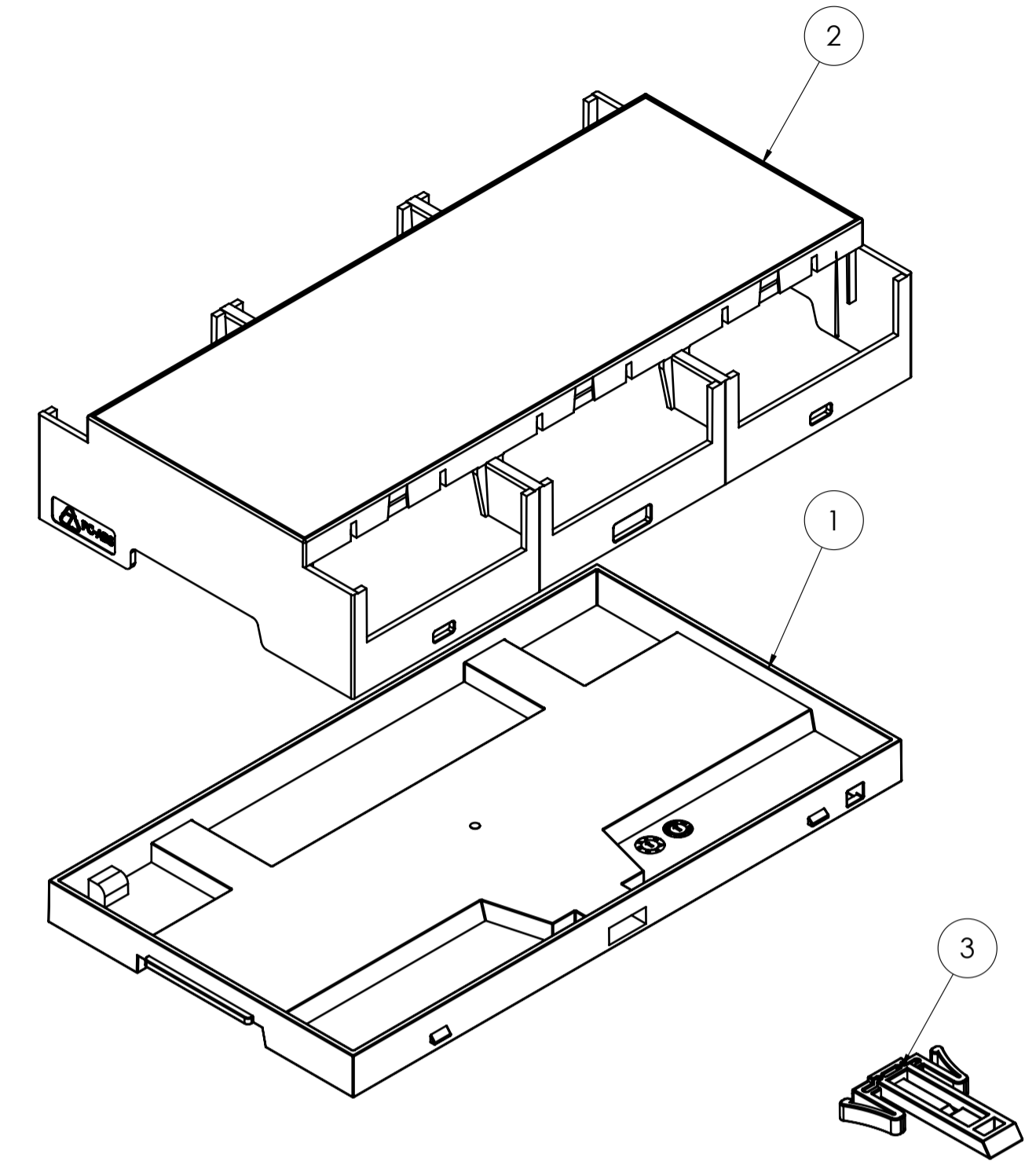
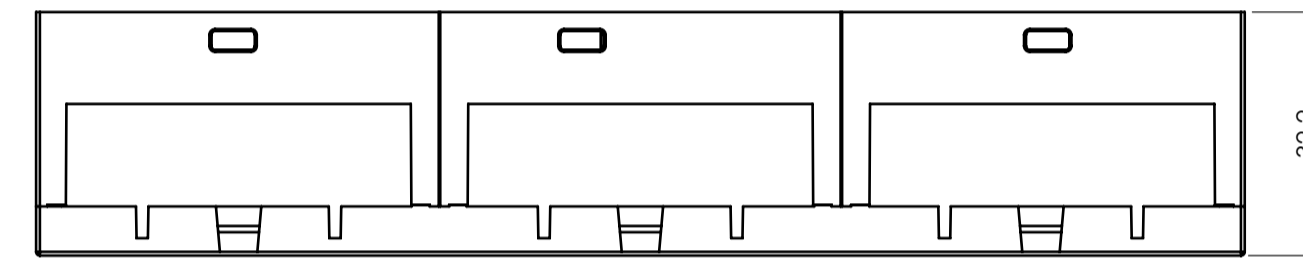
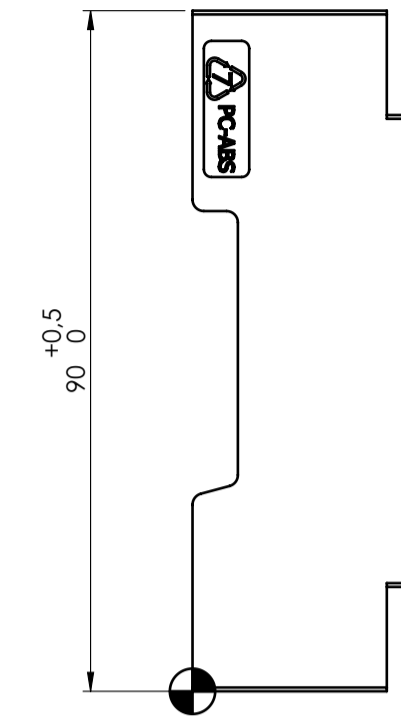
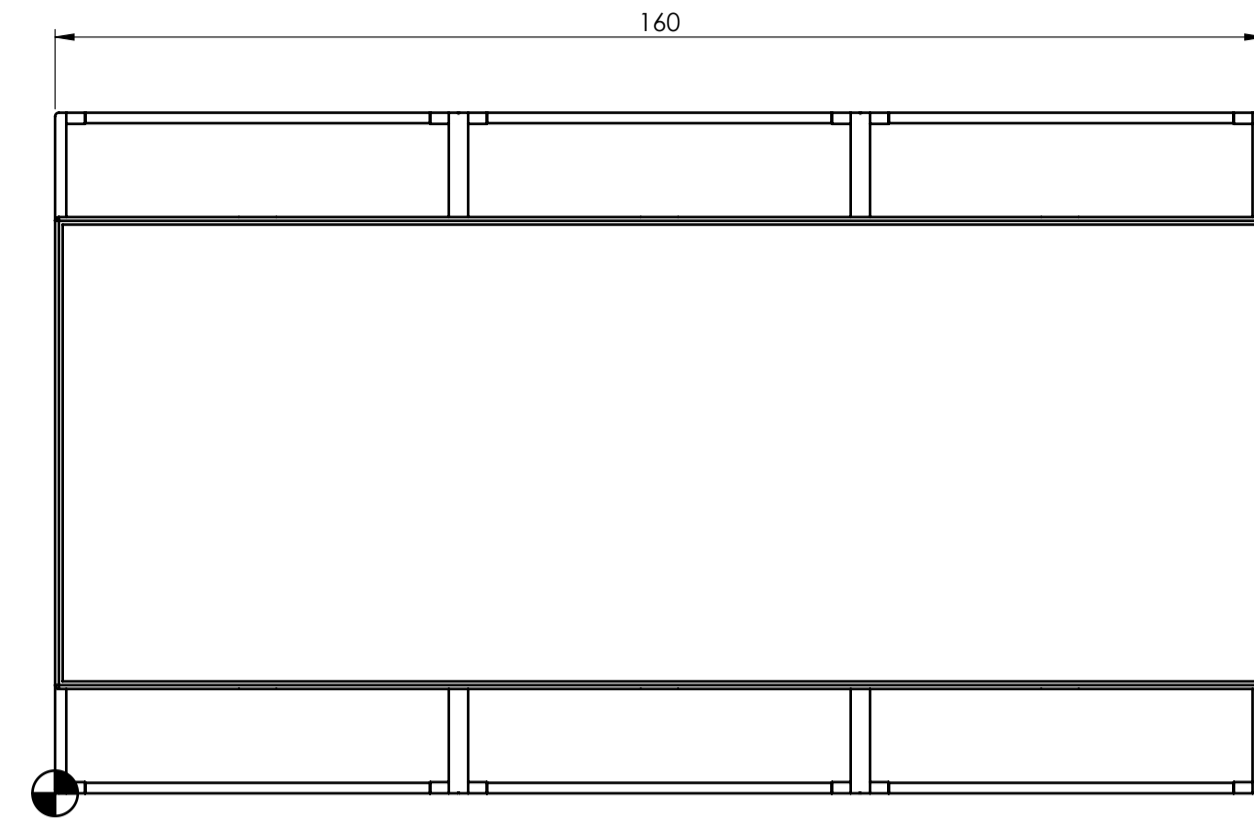
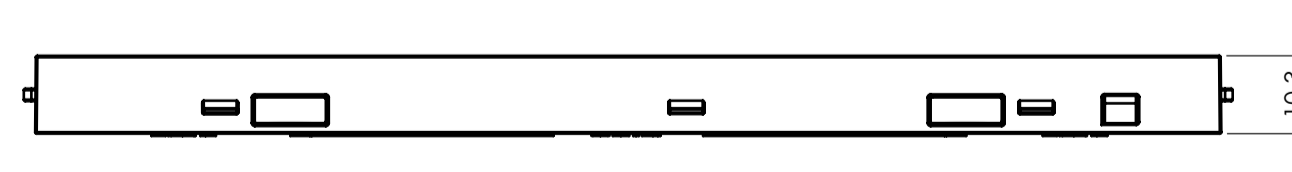
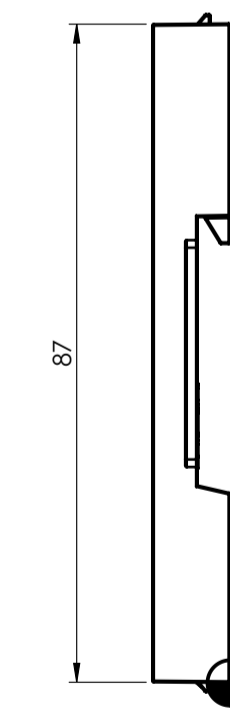
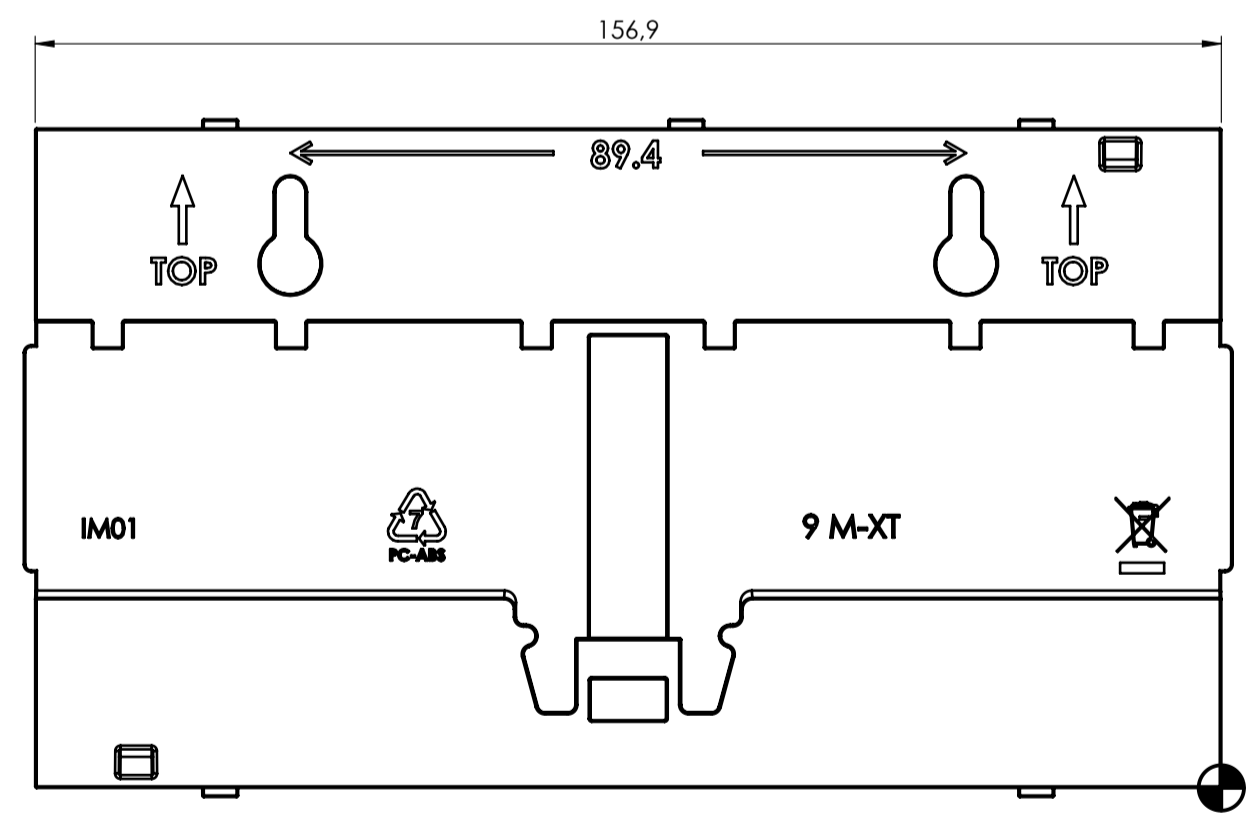


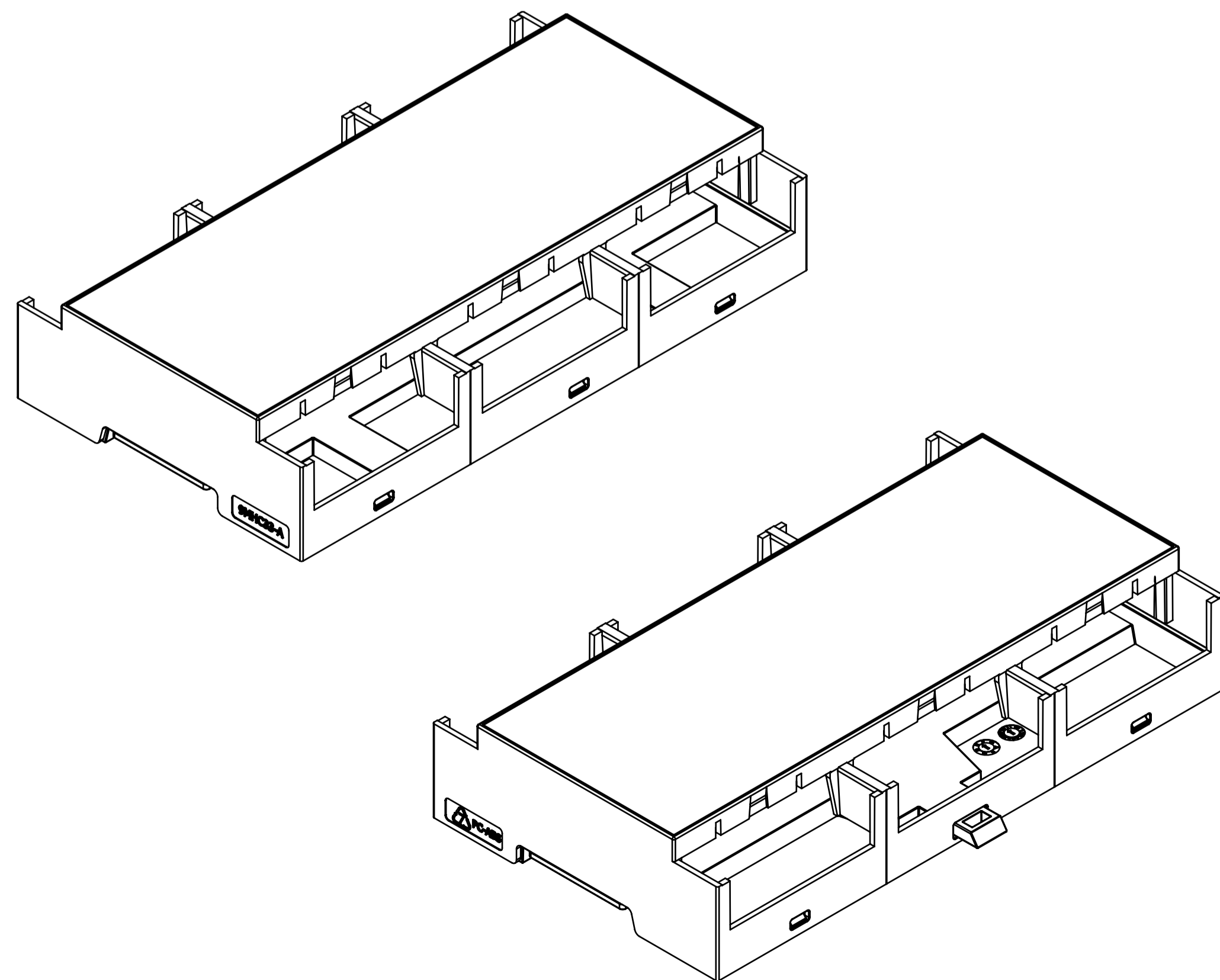
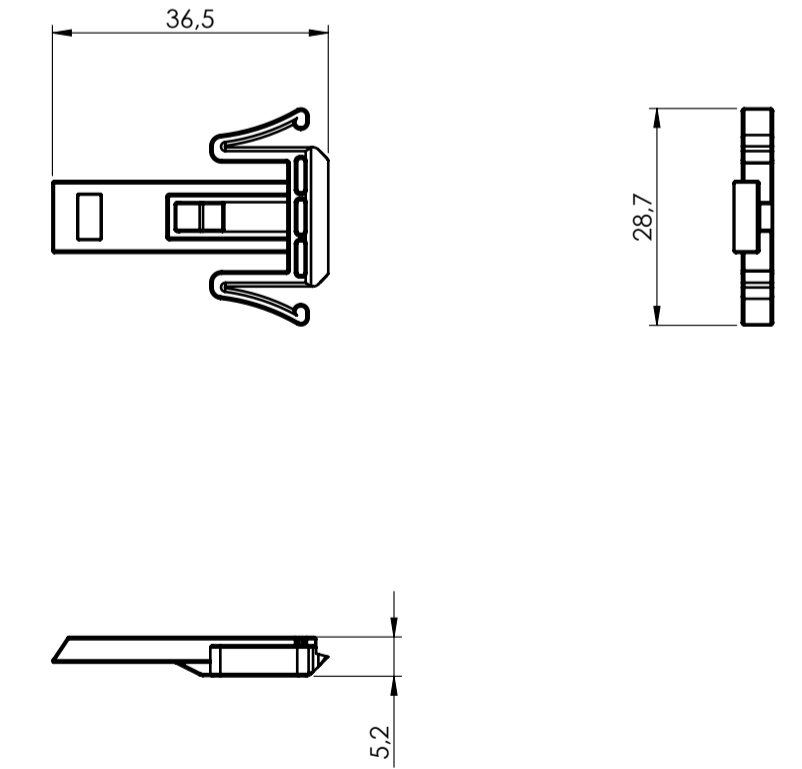
BODY ENCLOSURE



BASE

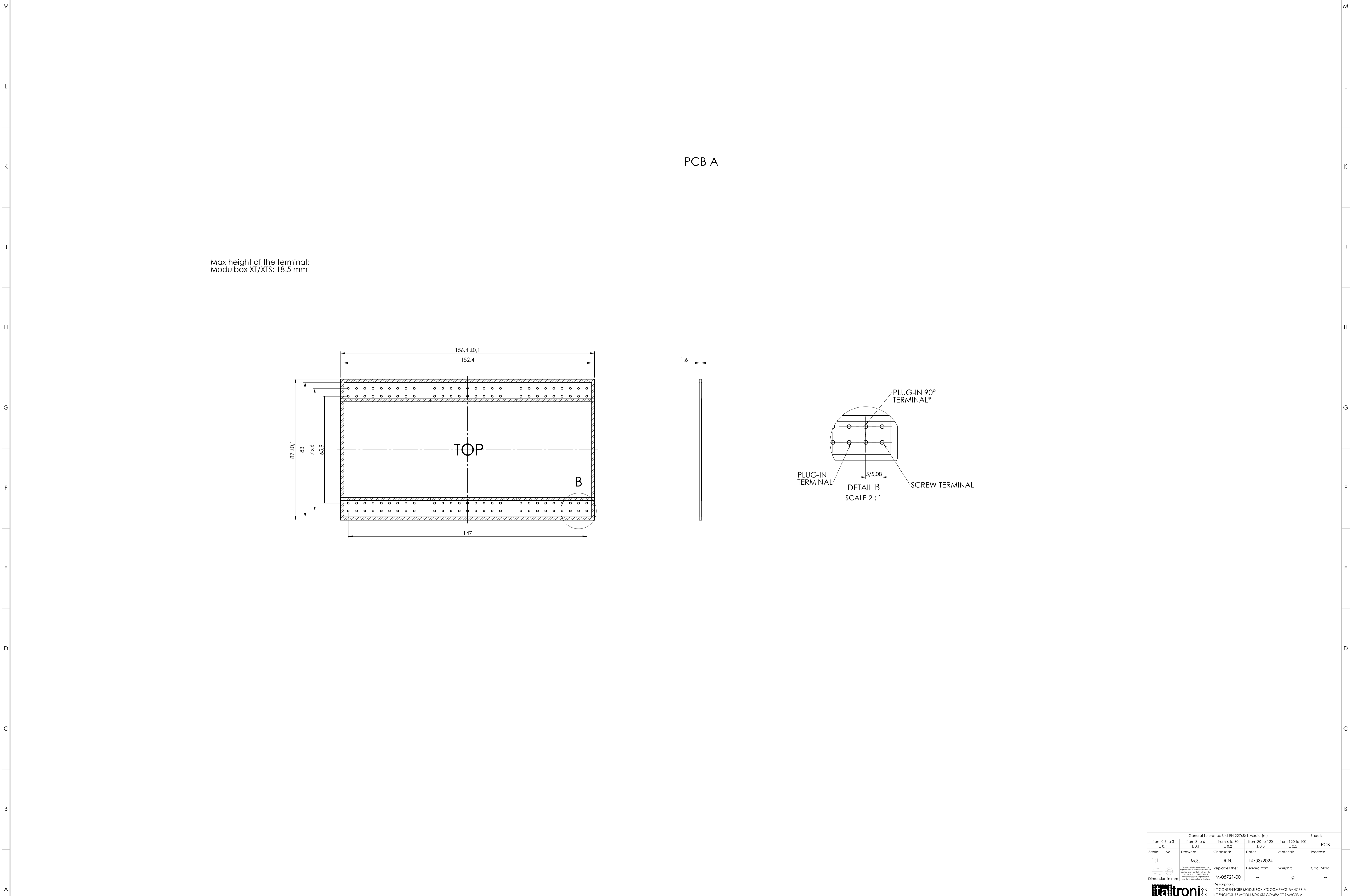


HOOK



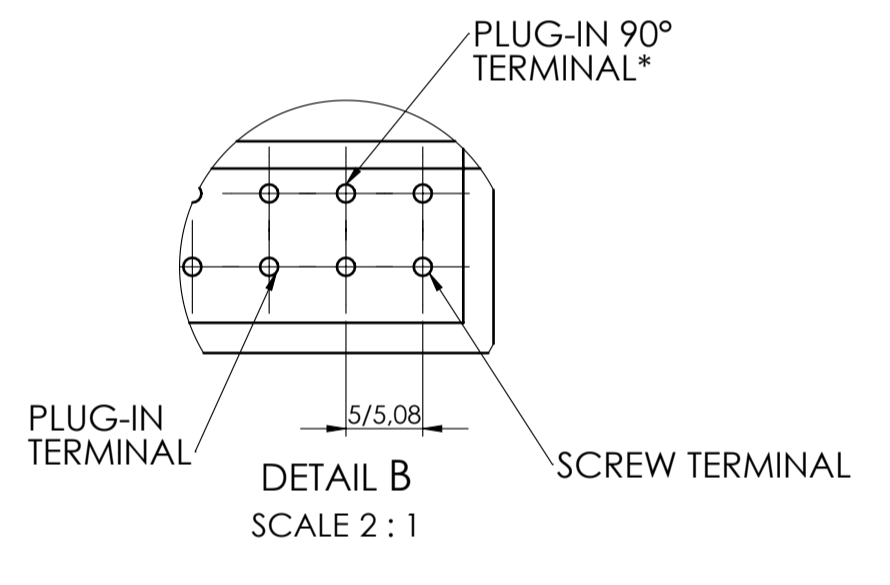
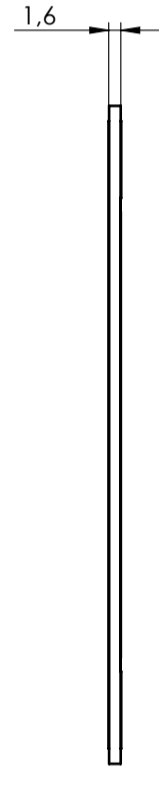
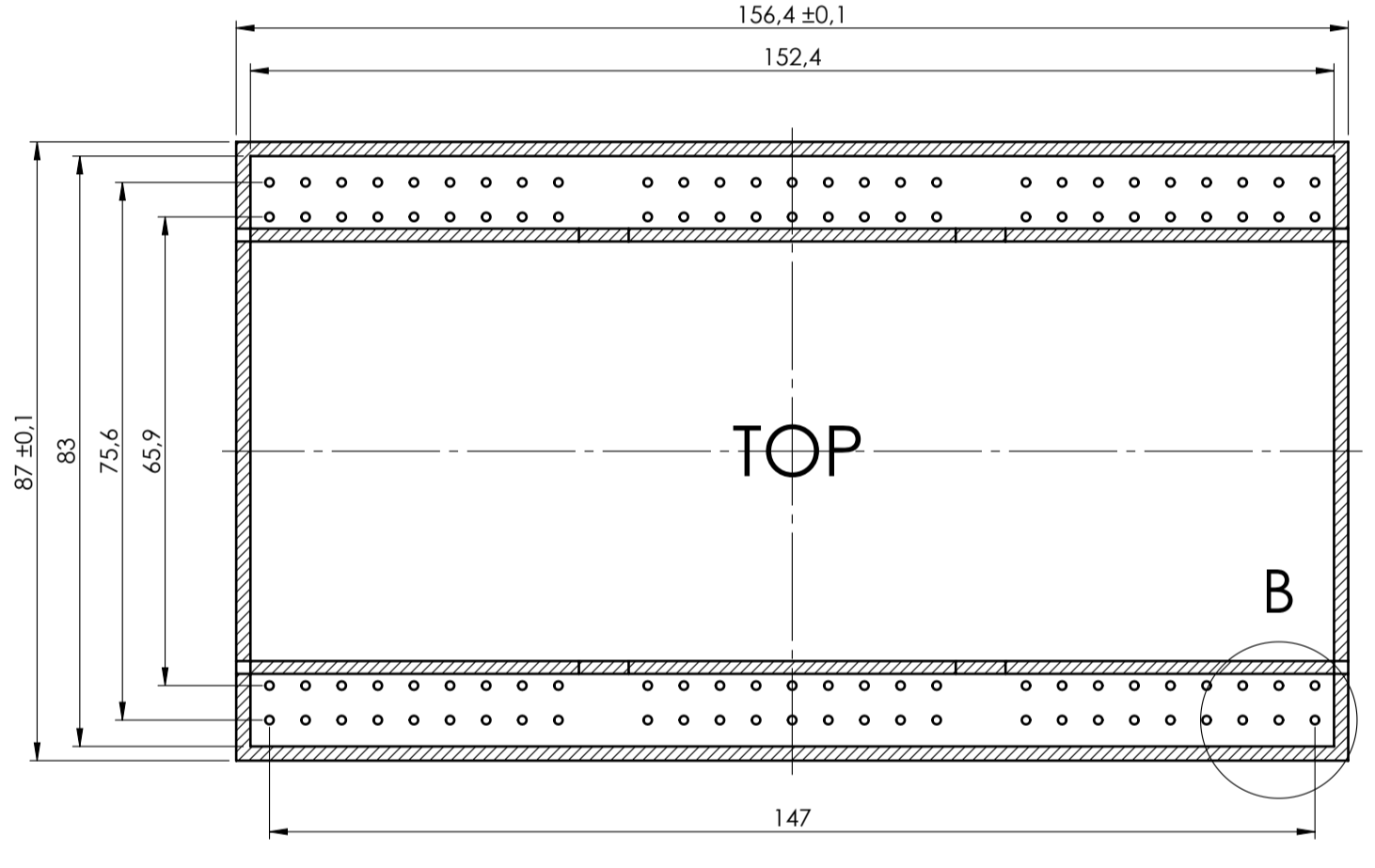
General information:
 ● Workpiece zero point for mechanical processing
 - Minimum recommended radius for machining = R1.0 mm
 - Mounting rail like EN 60715: TH 35-7.5 or TH 35-15
 - Recommended PCB outline on www.italtronic.com
 - Medium thickness = 1.5 mm

General Tolerance 198 EN 22768/1 Media [m]				Sheet:	
from 0.5 to 3	from 3 to 6	from 6 to 30	from 30 to 120	from 120 to 400	1
± 0.1	± 0.1	± 0.2	± 0.3	± 0.5	
Scale: 1:1	IM: --	Drawn: M.S.	Checked: R.N.	Date: 14/03/2024	Material: --
Dimension in mm			Replaces the: M-05721-00	Derived from: --	Weight: gr
Description:				Cod. Mod: --	
 enclosures for electronics italtronic.com				3_250_00023 Rev: 00 A1	



PCB A

Max height of the terminal:
Modulbox XT/XTS: 18.5 mm



General Tolerance IIR EN 22768/1 Media [m]					Sheet:
from 0.5 to 3	from 3 to 6	from 6 to 30	from 30 to 120	from 120 to 400	PCB
± 0.1	± 0.1	± 0.2	± 0.3	± 0.5	Process:
Scale: 1:1	IM:	Drawn: M.S.	Checked: R.N.	Date: 14/03/2024	Material:
Dimension in mm			Replaces the: M-05721-00	Derived from:	Weight: gr
Description:					Cod. Mold:
italtronic enclosures for electronics itatronic.com					KIT CONTENITORE MODULBOX XTS COMPACT 9MHC33-A KIT ENCLOSURE MODULBOX XTS COMPACT 9MHC33-A Drawing n°: 3_250_00023
					Rev.: 00 A1

NO COMPONENTS AREA