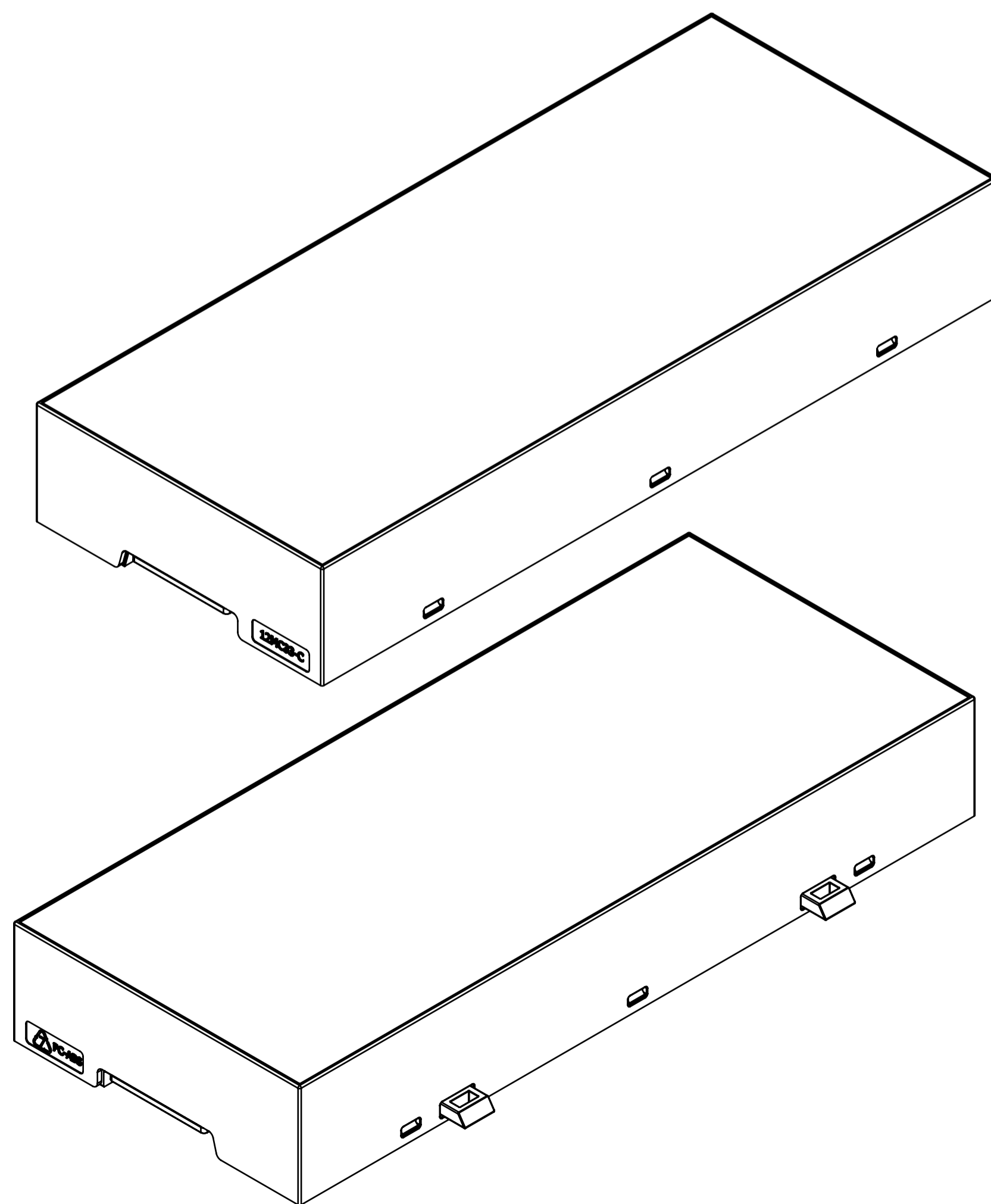
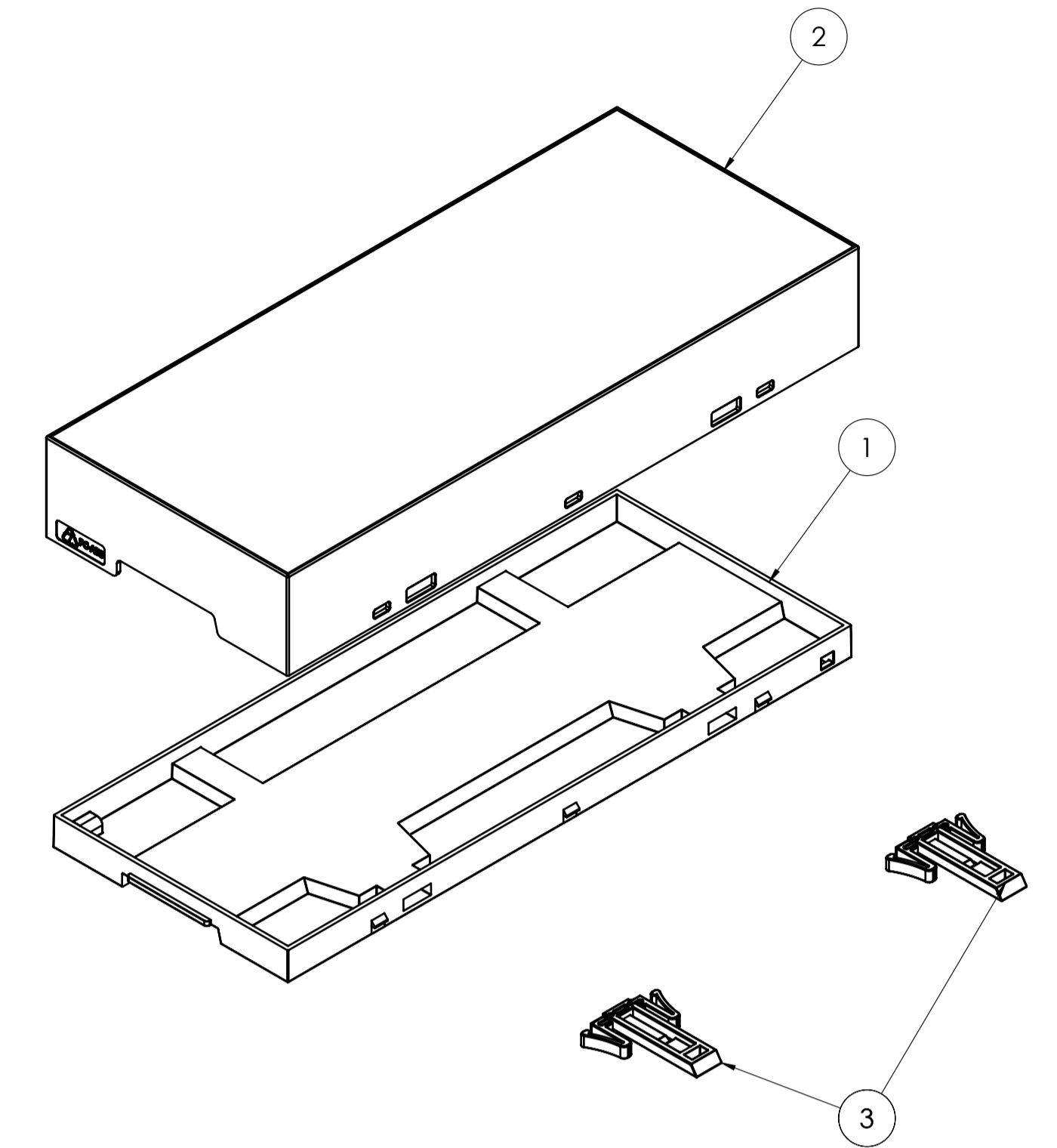
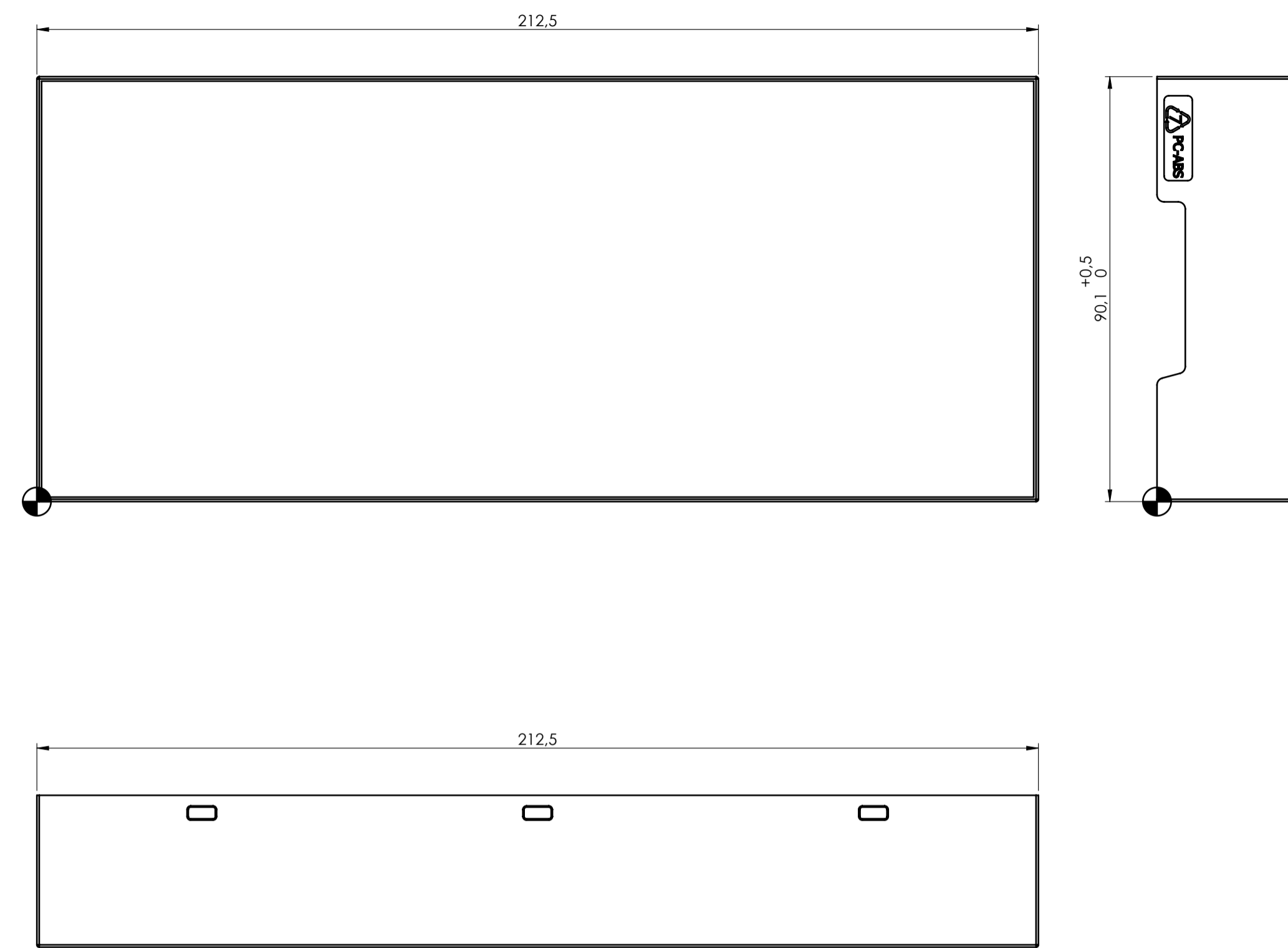
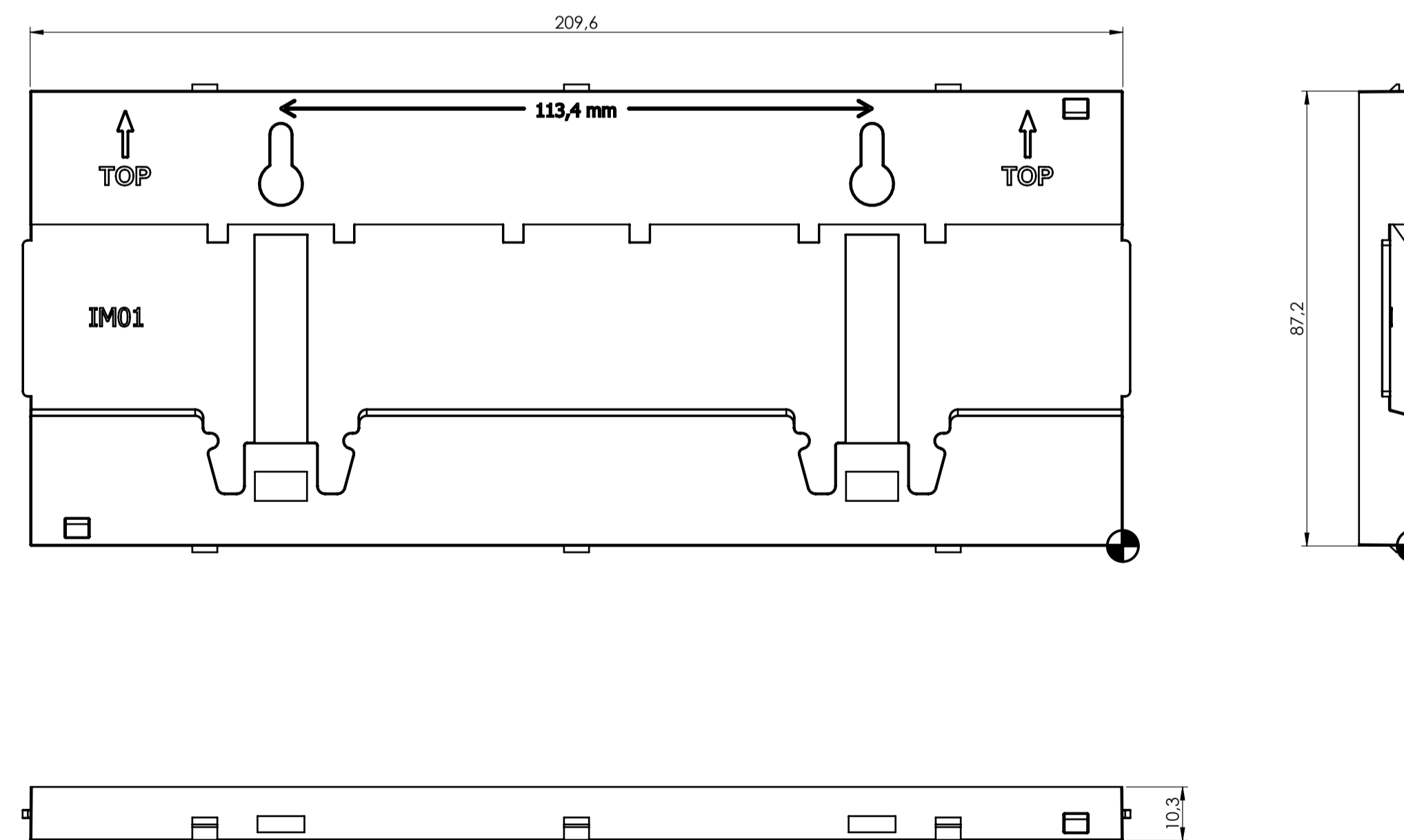


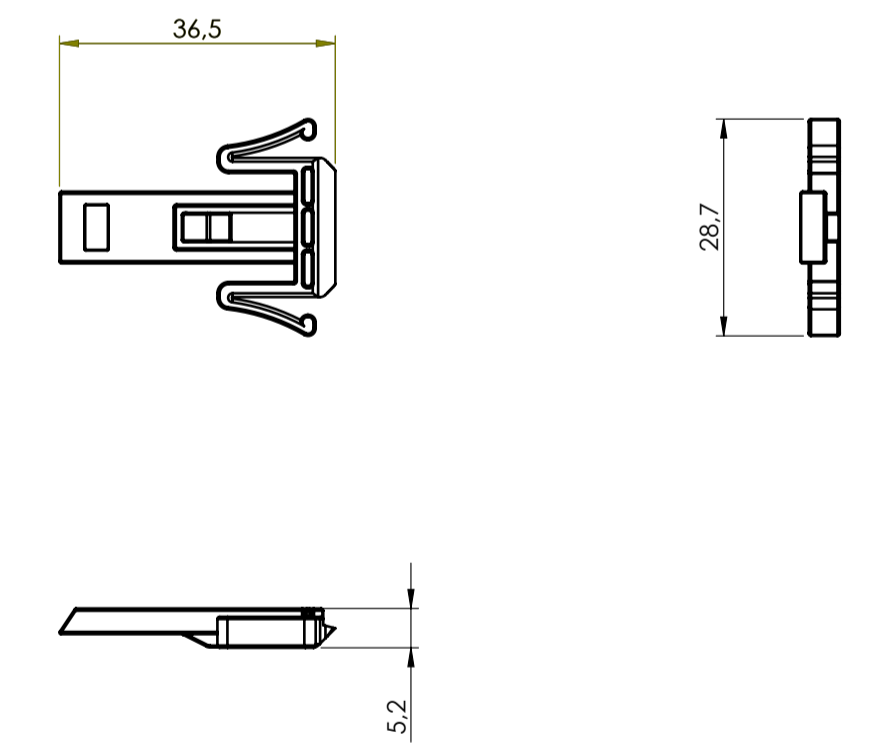
BODY ENCLOSURE



BASE



HOOK



General information:
 - Workpiece zero point for mechanical processing
 - Minimum recommended radius for machining = R1.0 mm
 - Mounting rail like EN 40715; TH 35-7.5 or TH 35-15
 - Recommended PCB outline on www.italtronic.com
 - Medium thickness = 1.5 mm

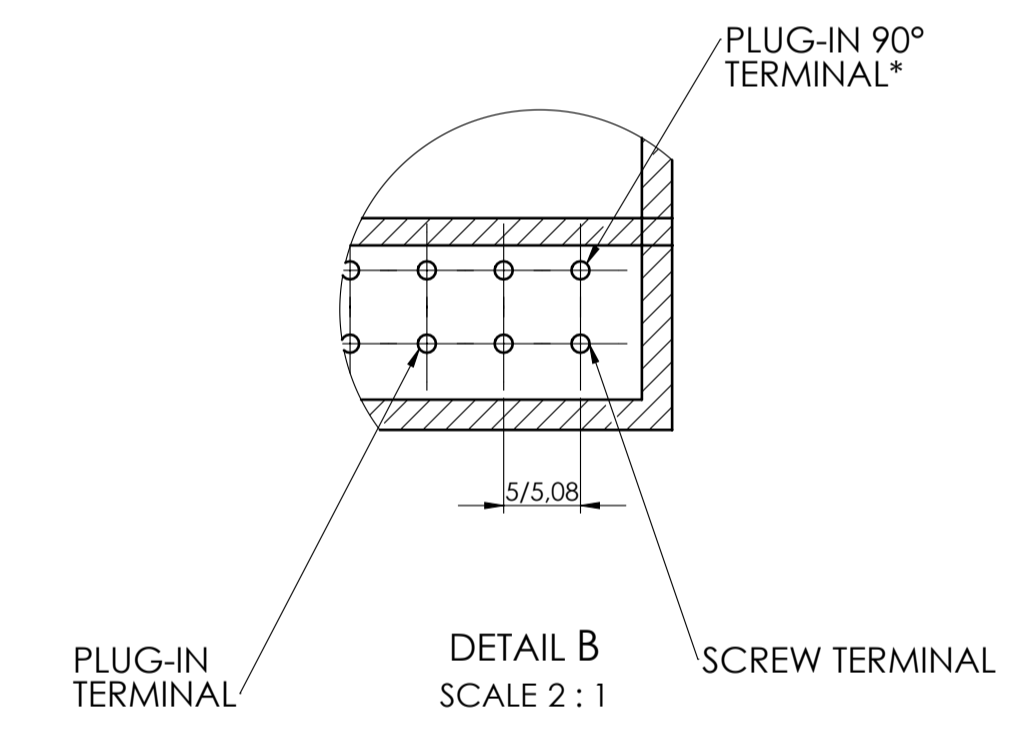
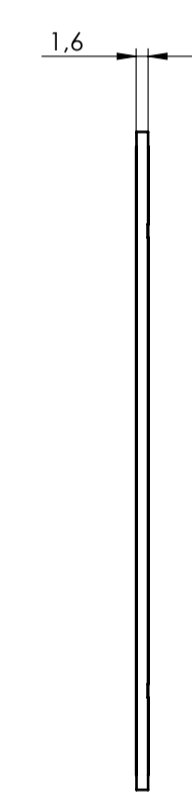
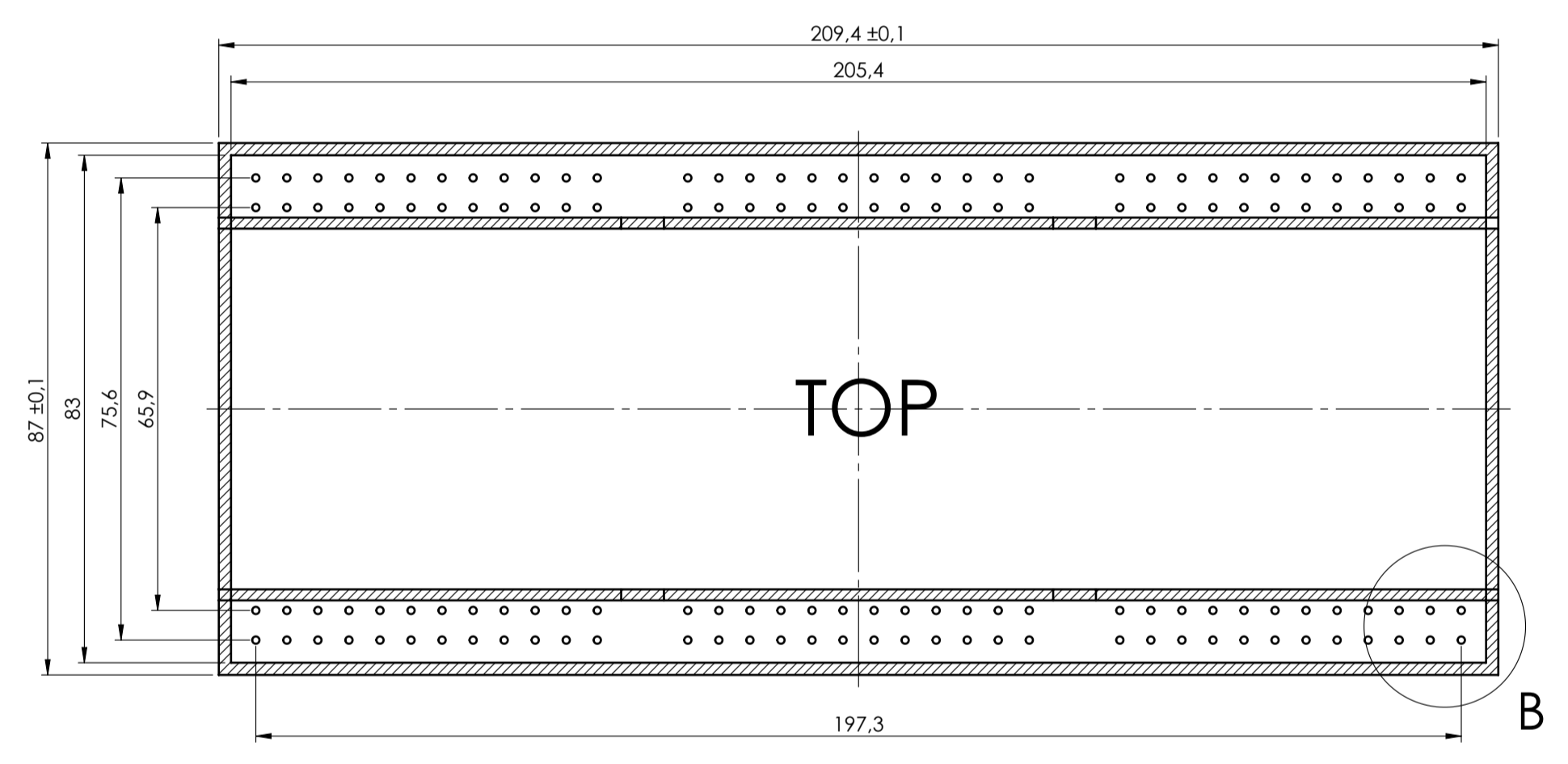
REF.	Q.TY	DRAWING	DESCRIPTION
1	1	2_250_03627	BASE MODULBOX XT-XTS 12M
2	1	2_250_00022	BODY MODULBOX XTS 12MC33-C CLOSED COMPACT
3	2	2_250_00072	HOOK FOR MODULBOX XT-XTS

General Tolerance IIR EN 22768/1 Media (m)				Sheet:
from 0.5 to 3	from 3 to 6	from 6 to 30	from 30 to 120	from 120 to 400
± 0.1	± 0.1	± 0.2	± 0.3	± 0.5
Scale:	1:1	1W:	--	M.S.
Drawn:	--	Checked:	R.N.	Date:
15/03/2024		Replaces the:	M-05188-00	Derived from:
Weight:	--	Cod. Mold:	--	

Description:
 KIT CONTENITORE MODULBOX XTS COMPACT 12MC33-C
 KIT ENCLOSURE MODULBOX XTS COMPACT 12MC33-C
 Drawing ref: **3_250_00022**
 Rev: **00** A1

PCB A

Max height of the terminal:
Modulbox XT/XTS: 18.5 mm



General Tolerance IIR EN 22768/1 Media [m]					Sheet:
from 0.5 to 3	from 3 to 6	from 6 to 30	from 30 to 120	from 120 to 400	PCB
± 0.1	± 0.1	± 0.2	± 0.3	± 0.5	Process:
Scale:	1:1	1:1	1:1	1:1	Material:
IM:	M.S.	R.N.	15/03/2024	Weight:	Cod. Mold:
Drawn:	Checked:	Replaces the:	Derived from:	gr	--
Dimension in mm	M-05188-00	--	--	--	--
Description:					Rev.:
KIT CONTENITORE MODULBOX XTS COMPACT 12MC33-C					00
KIT ENCLOSURE MODULBOX XTS COMPACT 12MC33-C					A1
Drawing by: italtronic					
3_250_00022					
italtronic.com					

NO COMPONENTS AREA