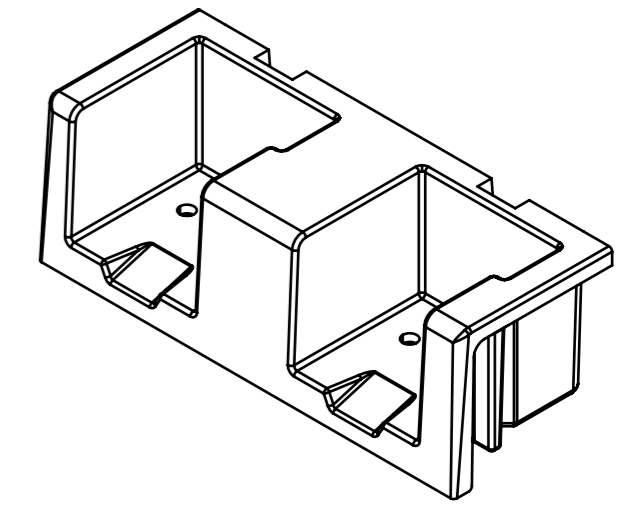
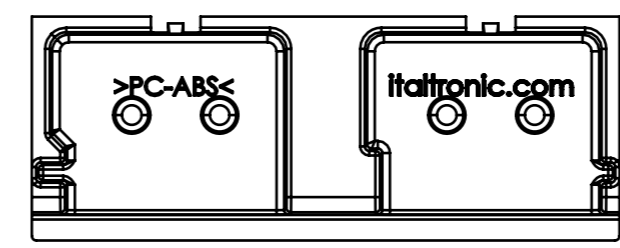
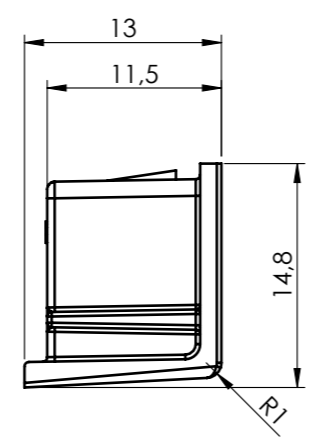
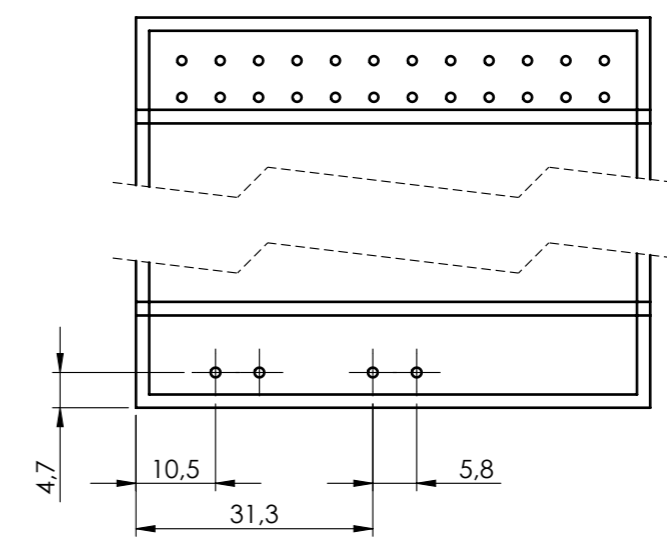
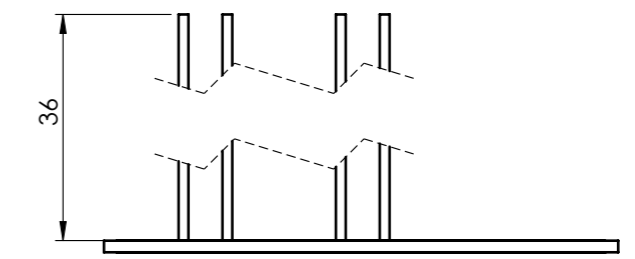
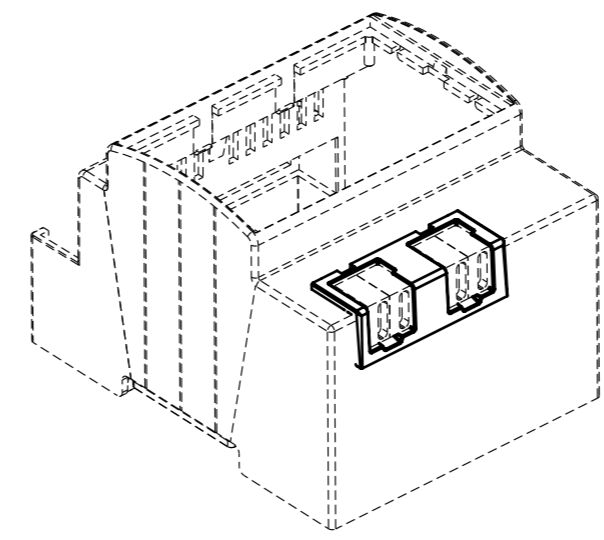


SECTION A-A



General information:
 - Workpiece zero point for mechanical processing
 - Minimum recommended radius for machining = R1.0 mm

General Tolerance UNI EN 22768/1 Media (m)					Sheet:
from 0.5 to 3 ± 0.1	from 3 to 6 ± 0.1	from 6 to 30 ± 0.2	from 30 to 120 ± 0.3	from 120 to 400 ± 0.5	1
Scale: 2:1	Drawn:	Checked: R.N.	Date: 25/05/2022	Material: PC/ABS	Process: INJECTION
Dimension in mm	Derived from:			Weight: 2.41 gr	Cod. Mold: ST.05001017
italtronic enclosures for electronics italtronic.com					Description: ACCESSORIO UNIVERSALE DOPPIO EIB UNIVERSAL DOUBLE EIB ACCESSORY Drawing nr.: 2_250_03631 Rev.: 00 A3