

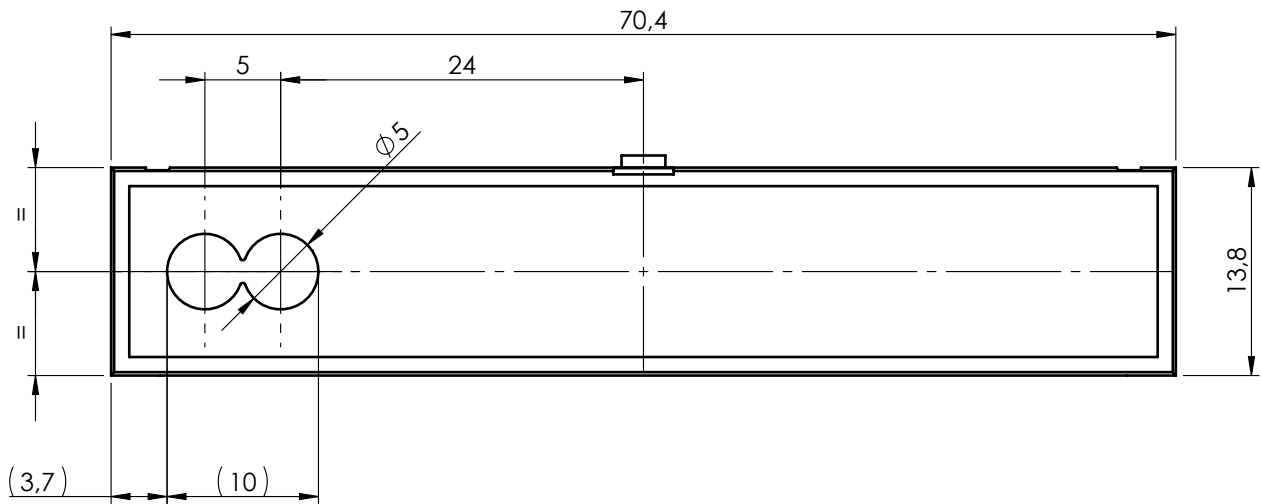
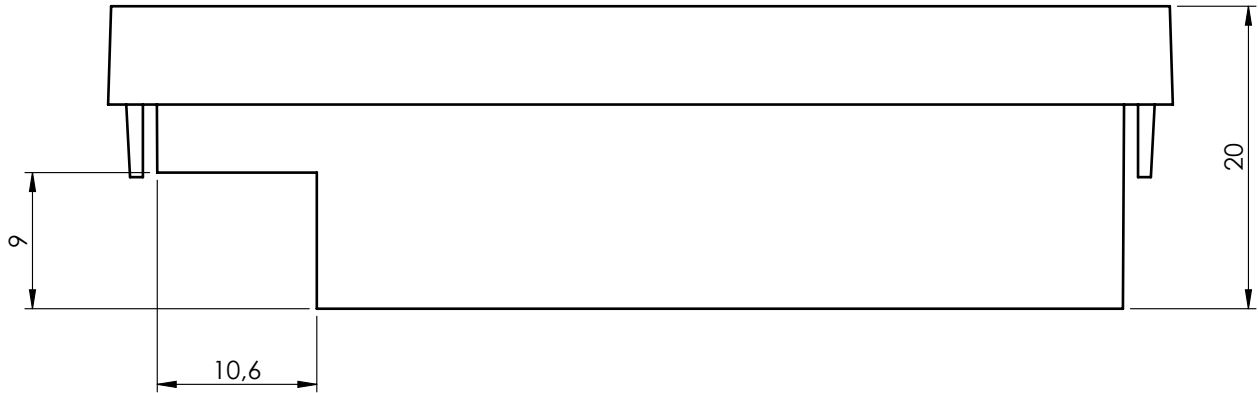
4

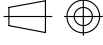

3

2

1

Revisions			
Rev.	Description	Date	Modified by
1	Updated cartouche with new code (code passed M-00212-01)	21/03/2022	R.N.



General Tolerance UNI EN 22768/1 Media (m)					Sheet:		
from 0.5 to 3	from 3 to 6	from 6 to 30	from 30 to 120	from 120 to 400	1		
± 0.1	± 0.1	± 0.2	± 0.3	± 0.5	Process:		
Scale: 2:1	Drawn: R.N.	Checked: R.N.	Date: 21/03/2022	Material: PC/ABS	INJECTION		
Dimension in mm				Weight: 4.45 gr	Cod. Mold: ST.05CN002		
 The present drawing cannot be reproduced or communicated to 3rd parties, even partially, without the authorization of ITALTRONIC Srl. Italtronic reserves to protect its own rights according to the law.				Derived from: --		Description: COPRIMORSETTO SPECIALE 4M-CM069 2 VIE 4MP05 SPECIAL TERMINAL COVER 4M-CM069 2 POLES 4MP05	
 enclosures for electronics italtronic.com				Drawing nr.: 2_250_03625		Rev.: 01 A4	

4

3

2

1