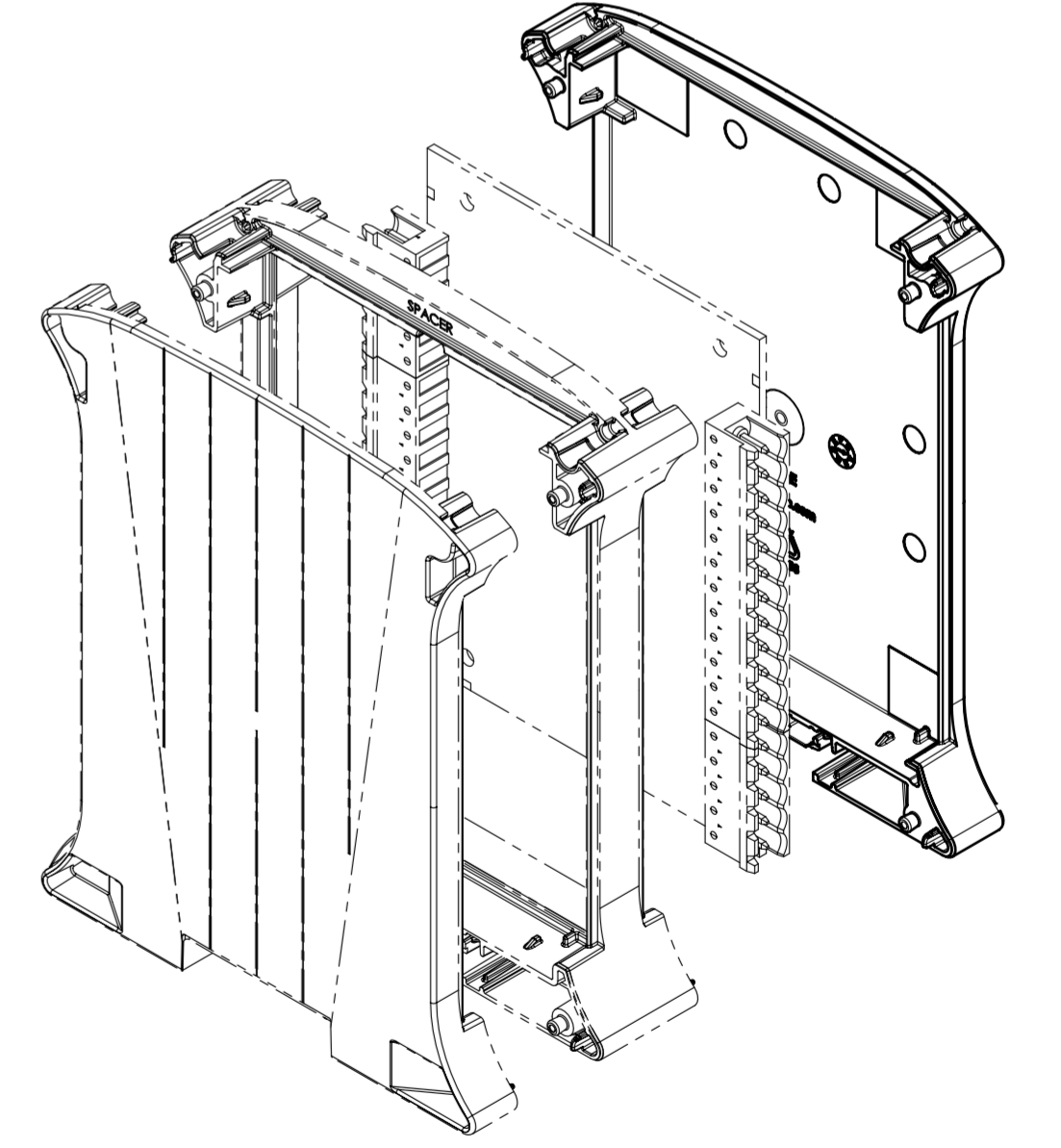
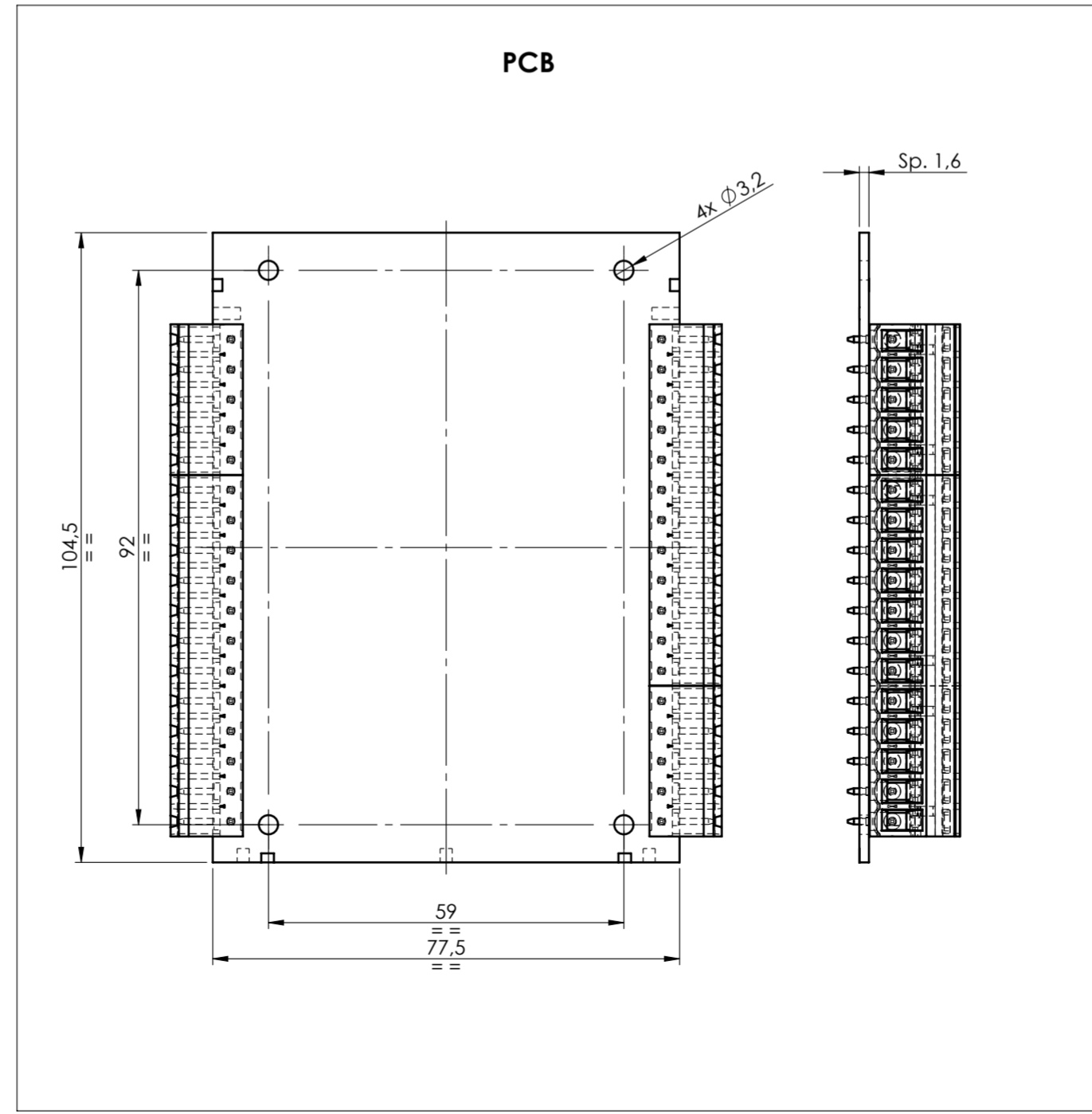
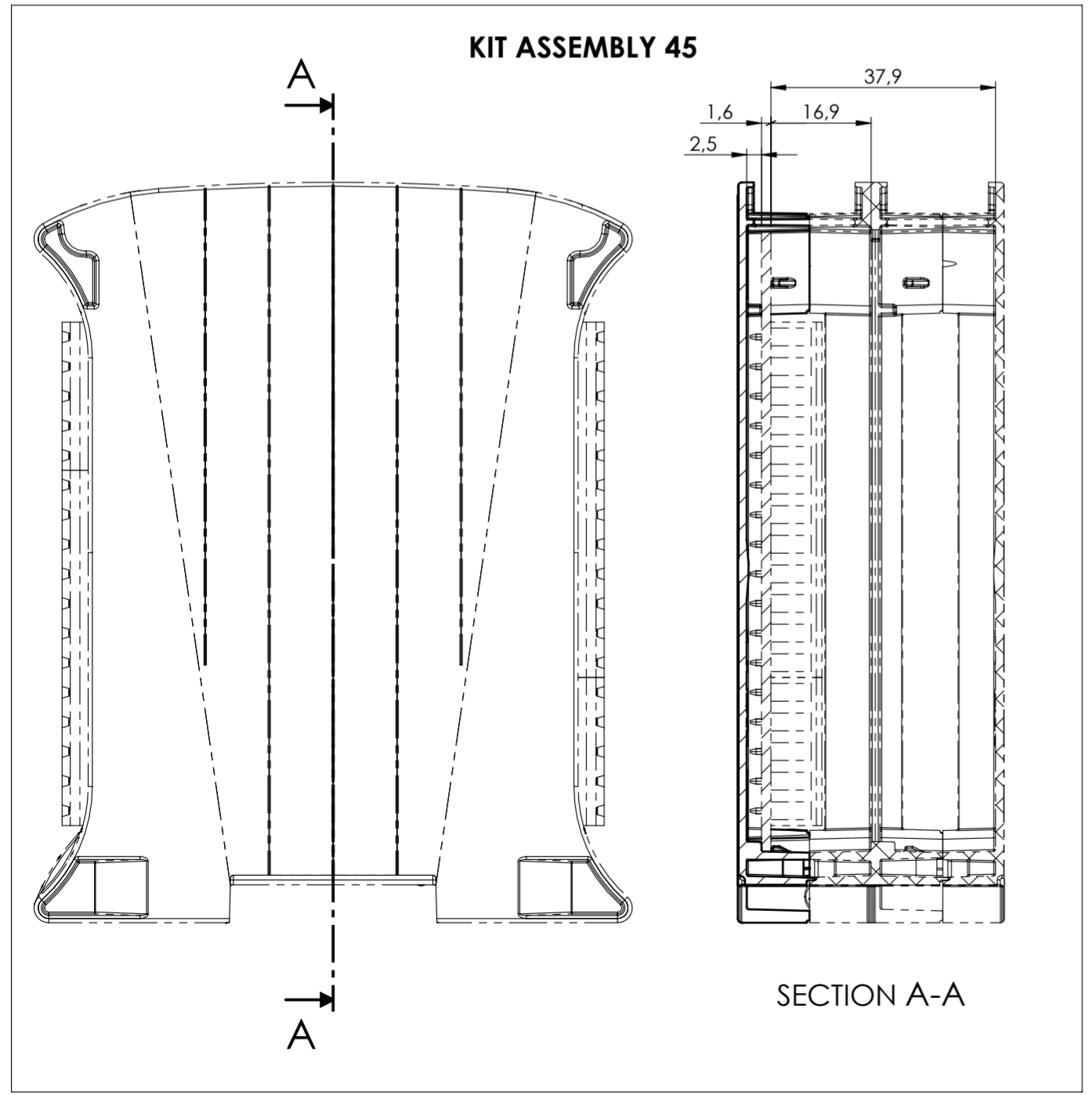
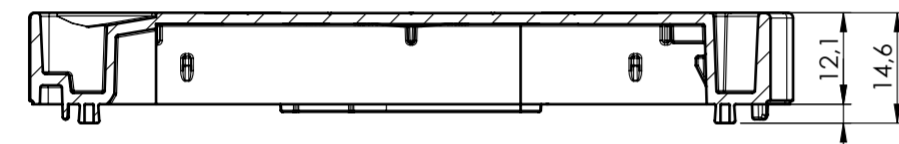
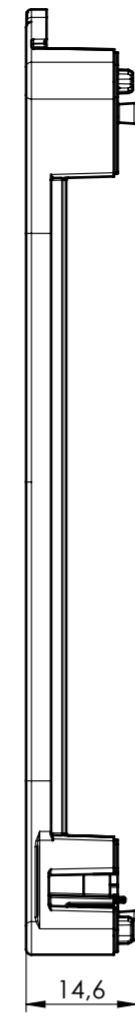
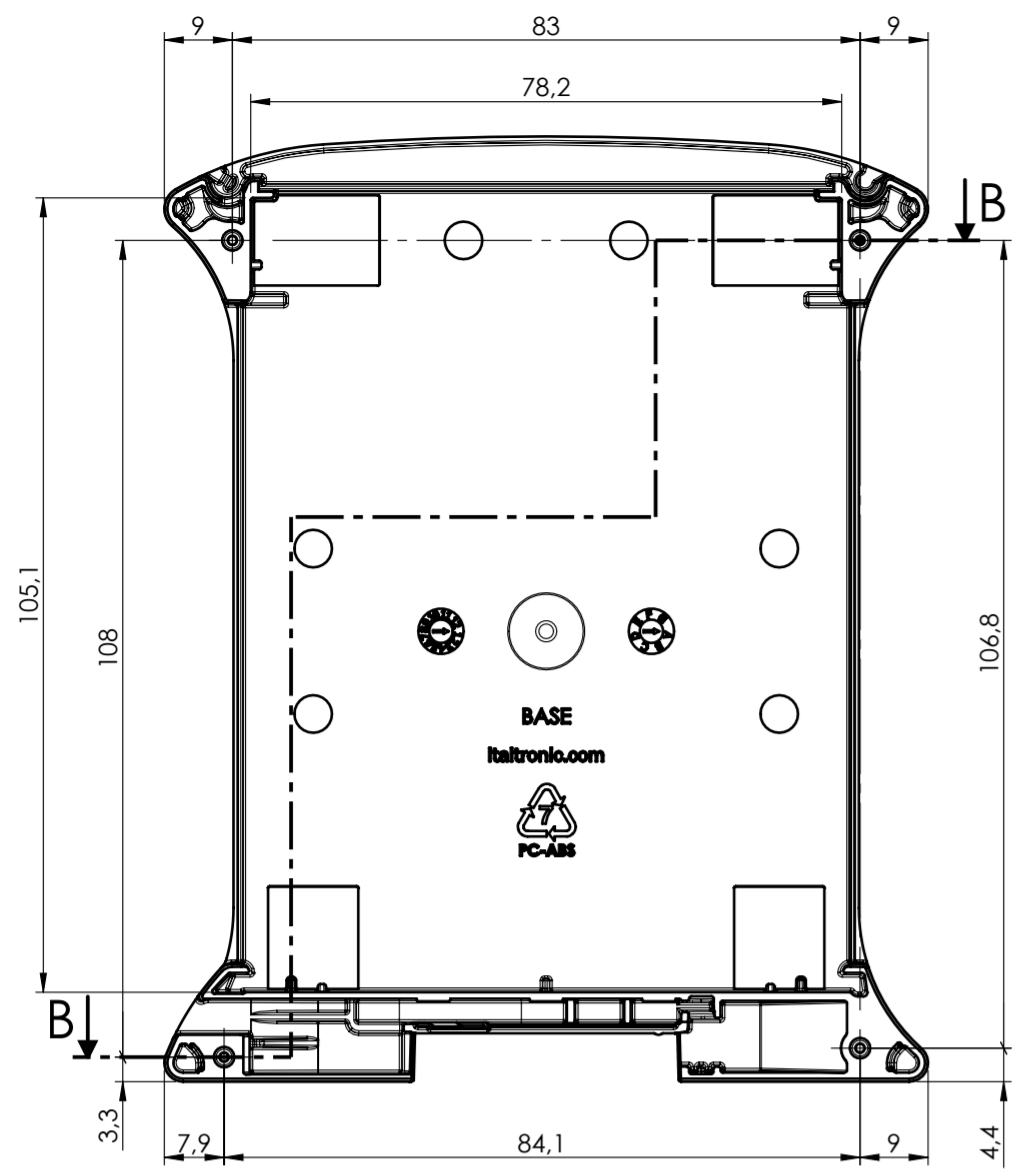


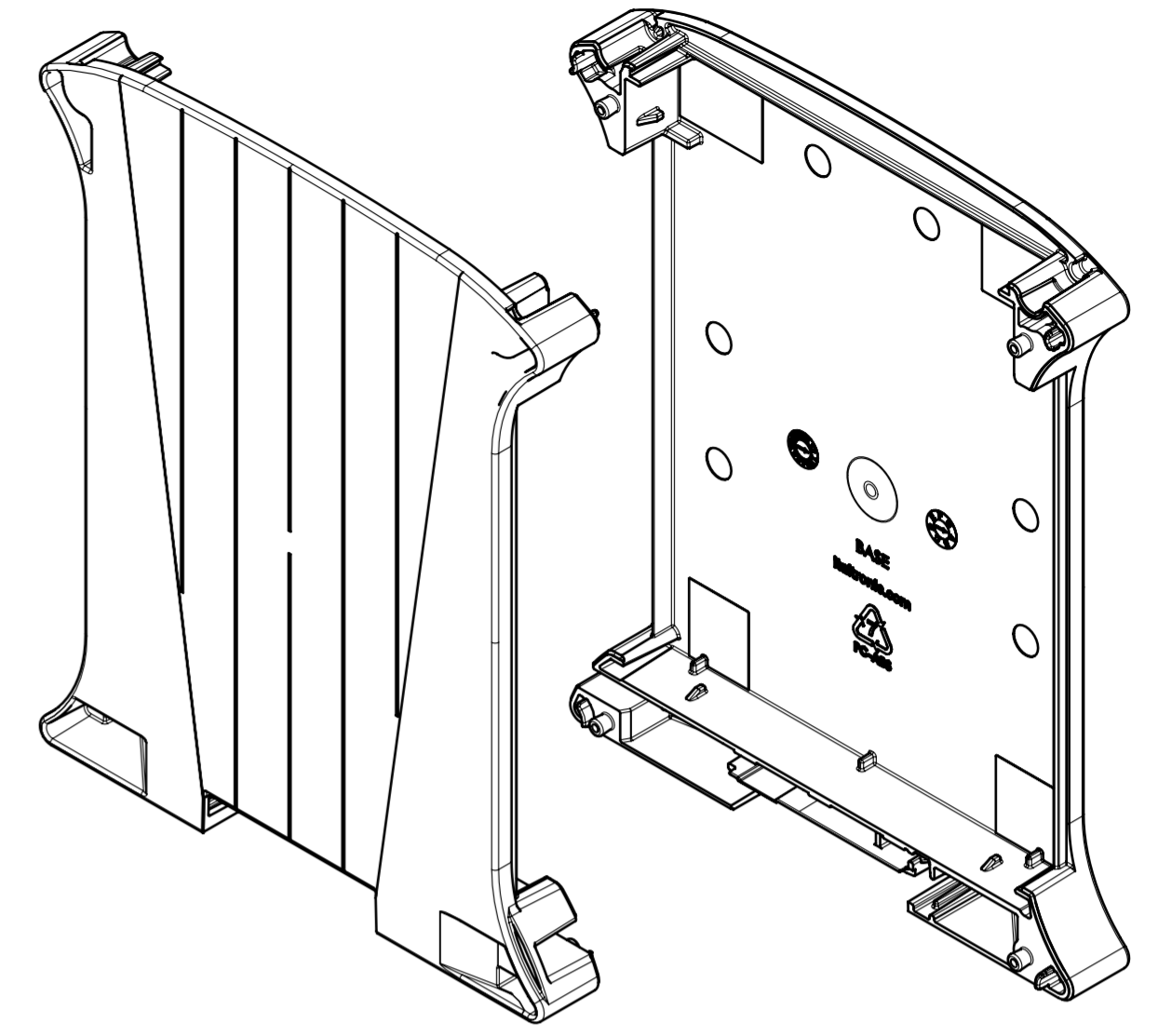
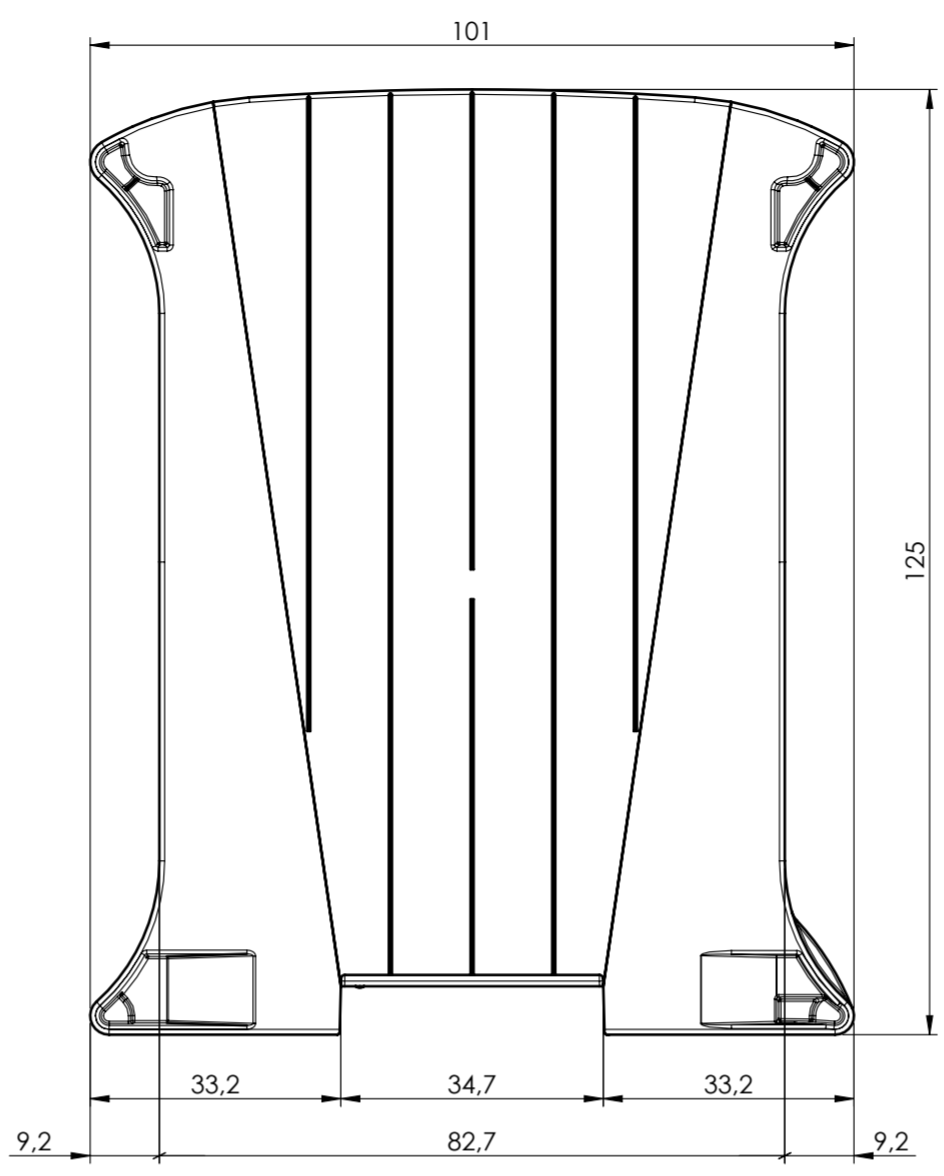
KIT ASSEMBLY 45



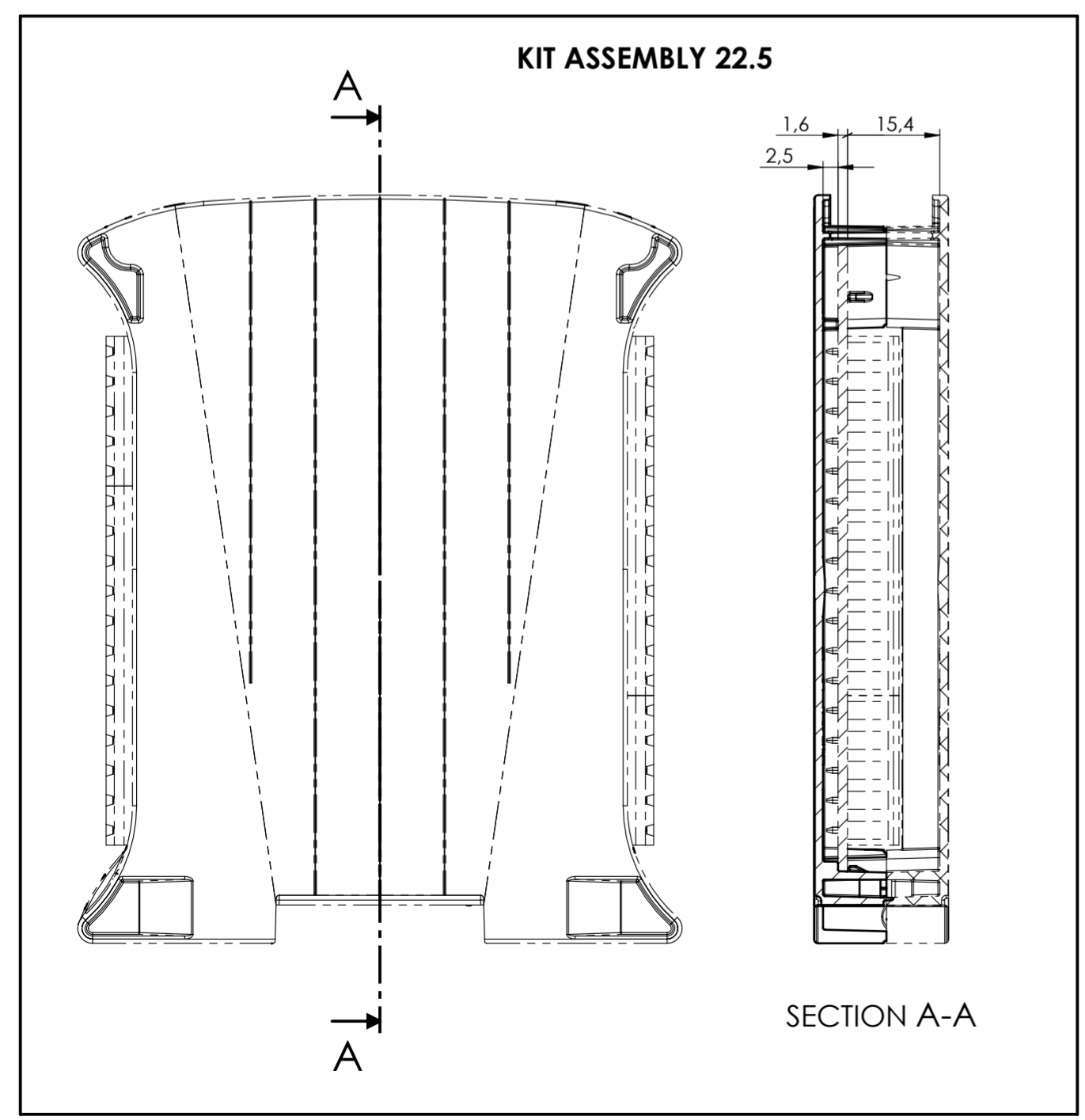
General Tolerance UNI EN 22768/1 Media (m)					Sheet:
from 0.5 to 3 ± 0.1	from 3 to 6 ± 0.2	from 6 to 30 ± 0.3	from 30 to 120 ± 0.3	from 120 to 400 ± 0.5	1
Scale: 1:1	Drawn: R.N.	Checked: R.N.	Date: 07/06/2024	Material: PC/ABS	Process: INJECTION
Derived from:				Weight: 25.31 gr	Cod. Mold: ST.10011022
 enclosures for electronics italtronic.com		Description: BASE RAILBOX XT VERTICAL BASE RAILBOX XT VERTICAL Drawing nr.: 2_110_00126			Rev.: 01 A2



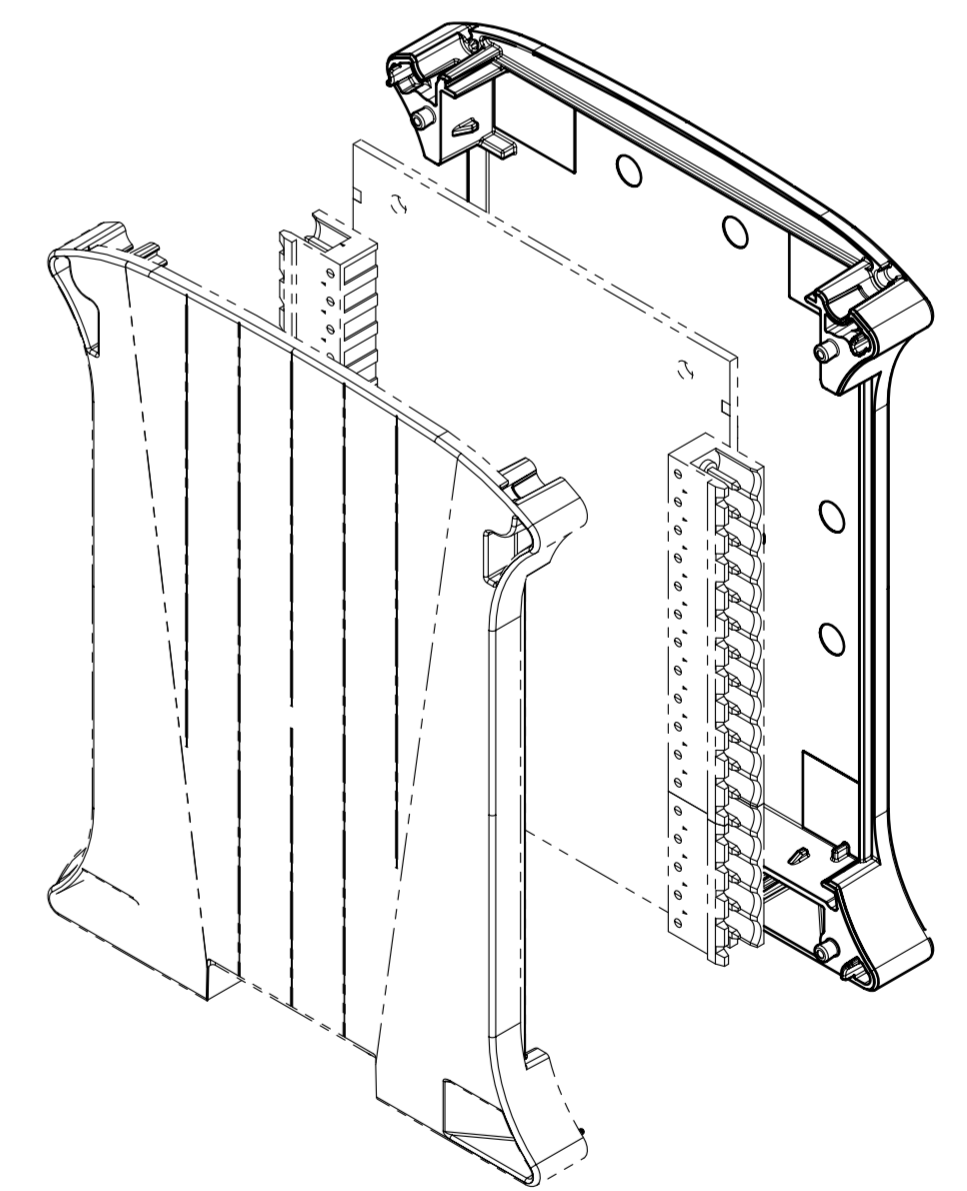
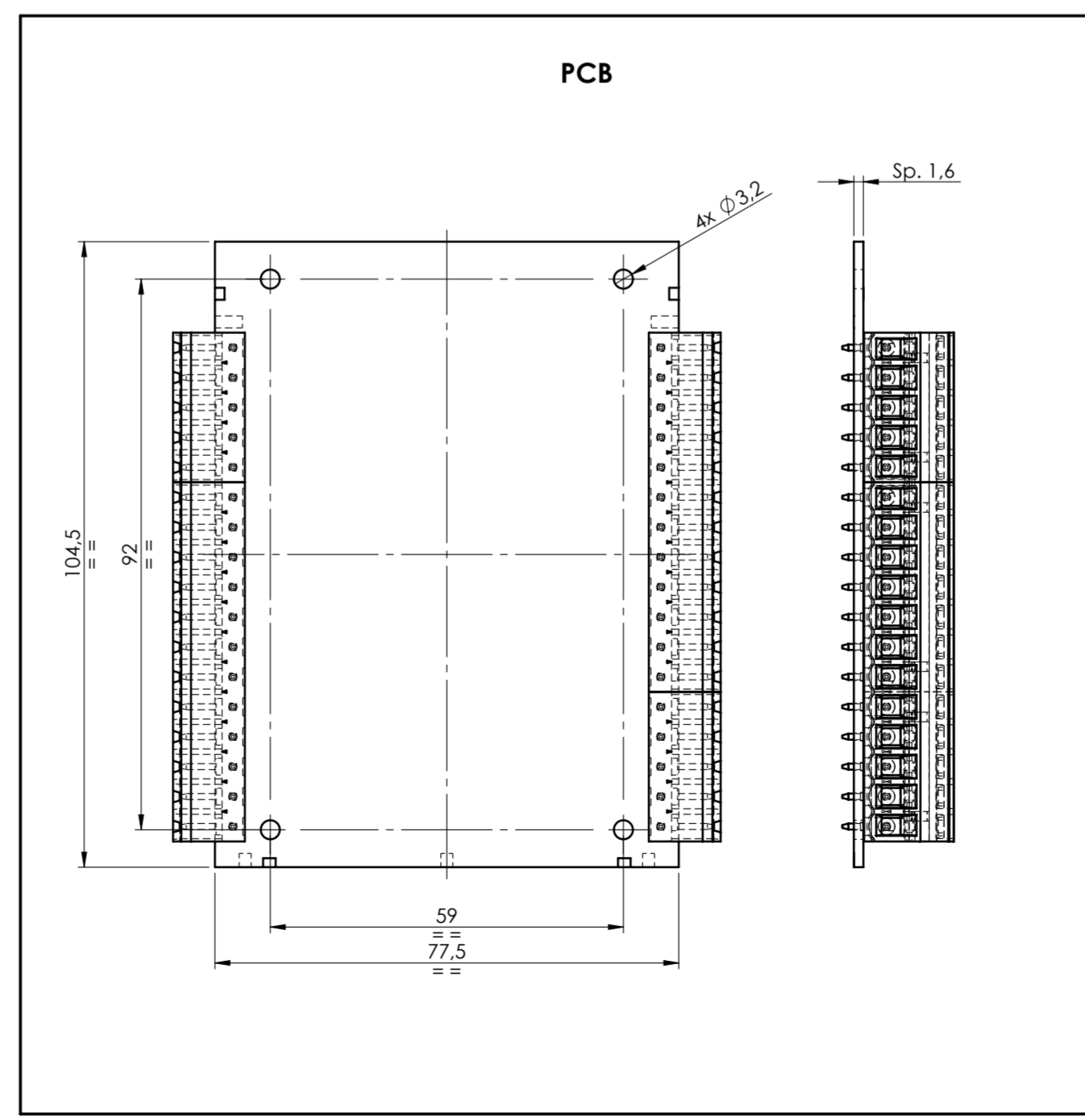
SECTION B-B



KIT ASSEMBLY 22.5



SECTION A-A



General Tolerance UNI EN 22768/1 Media (m)					Sheet:
from 0.5 to 3 ± 0.1	from 3 to 6 ± 0.1	from 6 to 30 ± 0.2	from 30 to 120 ± 0.3	from 120 to 400 ± 0.5	2
Scale: 1:1	Drawn: R.N.	Checked: R.N.	Date: 07/06/2024	Material: PC/ABS	Process: INJECTION
Derived from:				Weight: 25.31 gr	Cod. Mold: ST.10011022
 enclosures for electronics italtronic.com		Description: BASE RAILBOX XT VERTICAL BASE RAILBOX XT VERTICAL Drawing nr.: 2_110_00126		Rev.:	01 A2