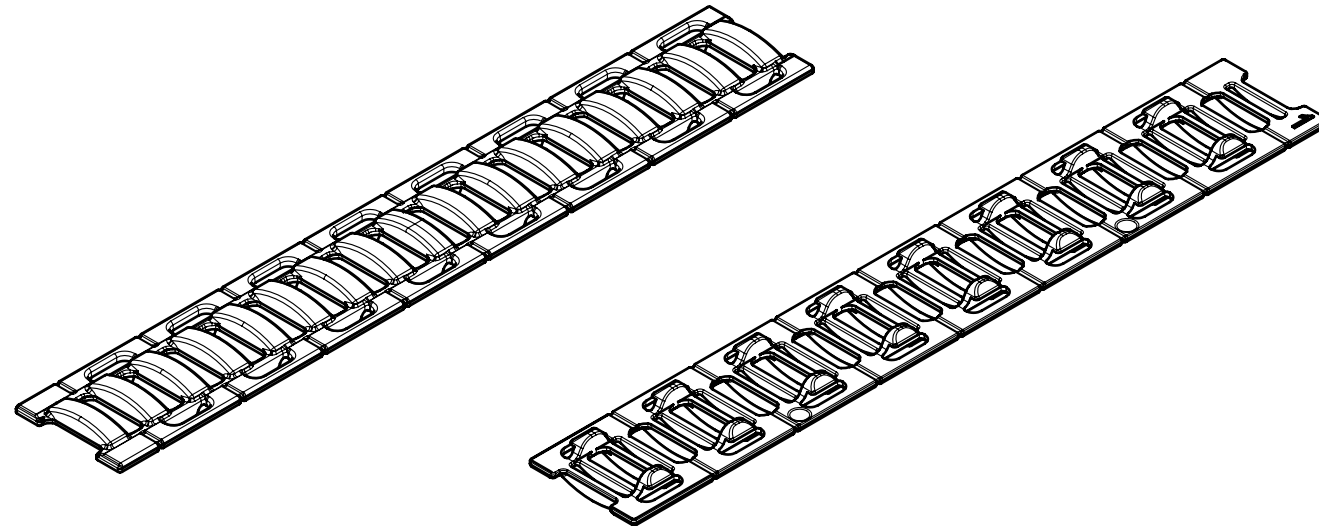
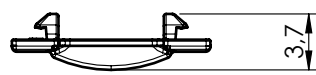
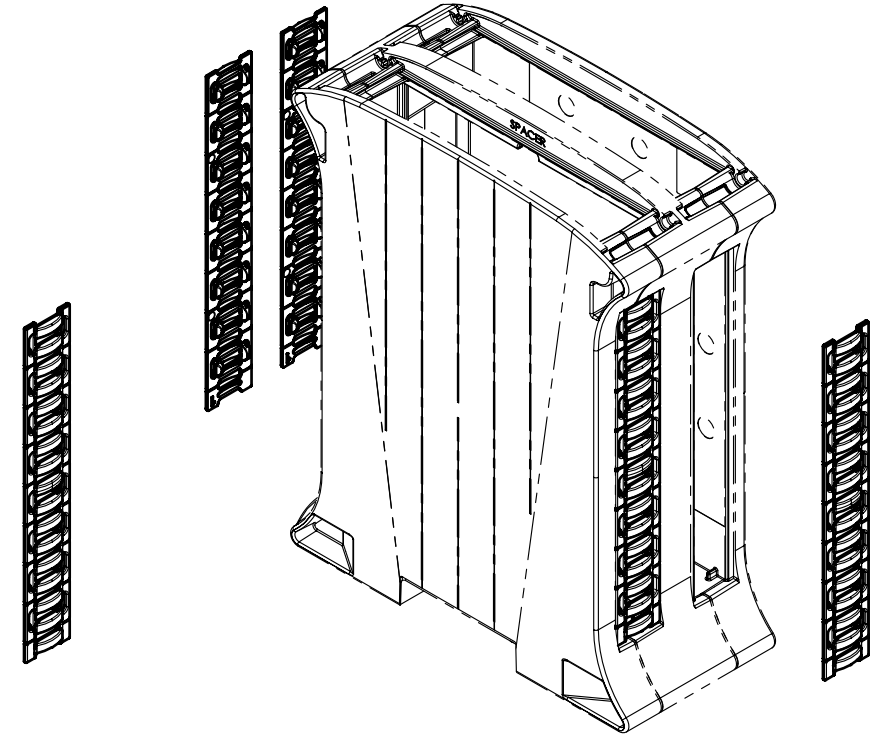
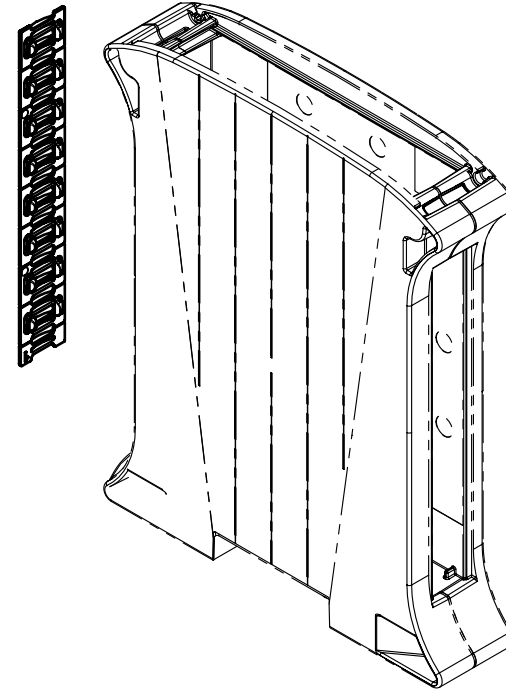


KIT ASSEMBLY 22.5

KIT ASSEMBLY 45



General Tolerance UNI EN 22768/1 Media (m)					Sheet:
from 0.5 to 3 ± 0.1	from 3 to 6 ± 0.1	from 6 to 30 ± 0.2	from 30 to 120 ± 0.3	from 120 to 400 ± 0.5	1
Scale: 2:1	Drawed: R.N.	Checked: R.N.	Date: 07/06/2024	Material: PC/ABS	Process: INJECTION
Dimension in mm	Derived from:			Weight: 0.98 gr	Cod. Mold: ST.10001024
italtronic enclosures for electronics italtronic.com					Description: COPRIFFESSURA FRATTURABILE RAILBOX XT VERTICAL HOLE COVER RAILBOX XT VERTICAL BREAKABLE Drawing nr.: 2_110_00128 Rev.: 00 A3