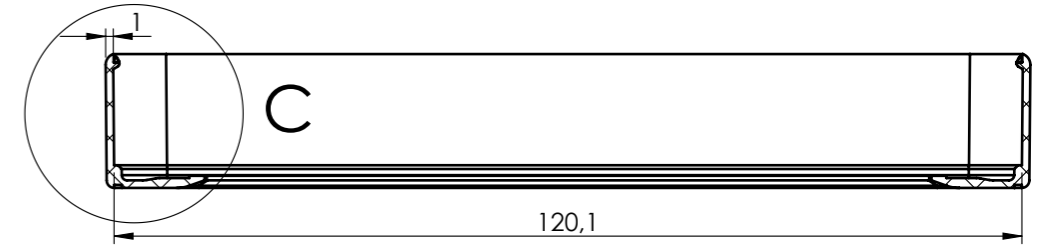
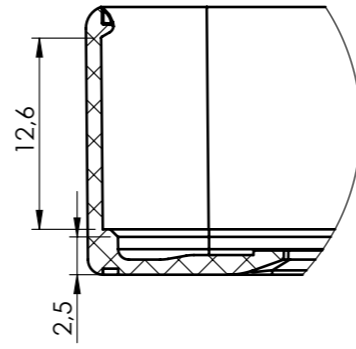
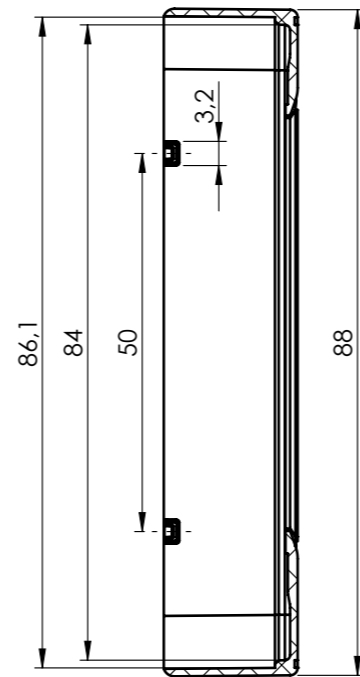
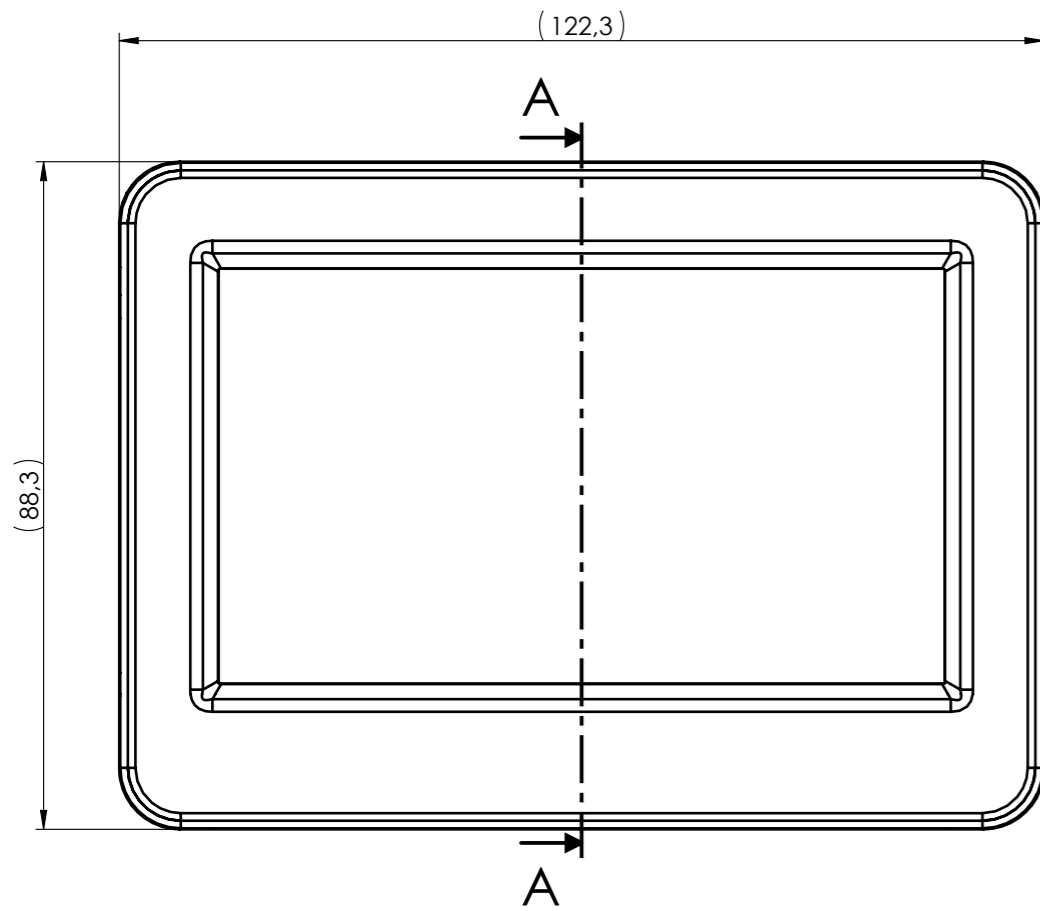


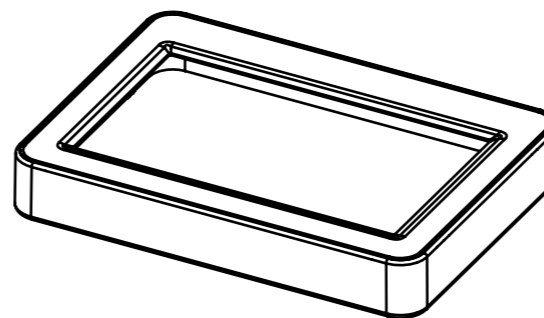
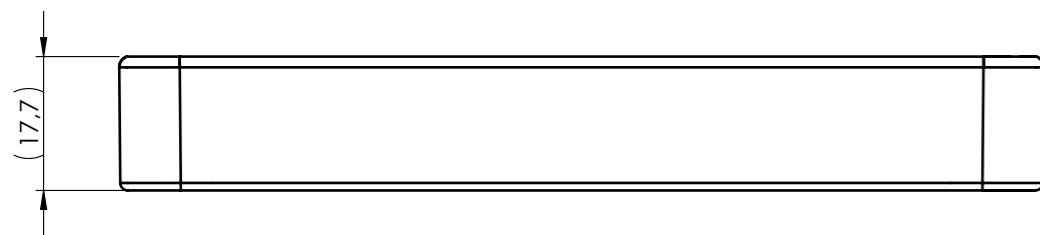
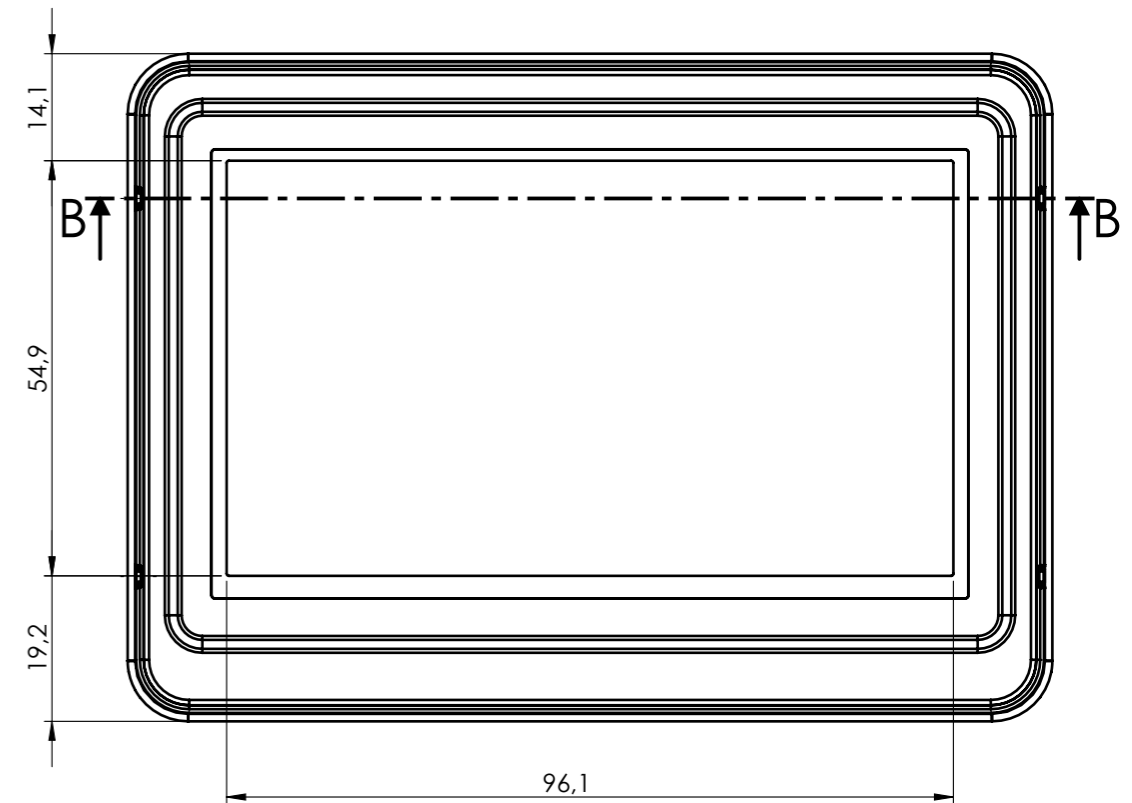
DETAIL C



SECTION B-B



SECTION A-A



General Tolerance UNI EN 22768/1 Media (m)					Sheet:
from 0.5 to 3 ± 0.1	from 3 to 6 ± 0.1	from 6 to 30 ± 0.2	from 30 to 120 ± 0.3	from 120 to 400 ± 0.5	1
Scale: 1:1	Drawn: R.N.	Checked: R.N.	Date: 11/03/2023	Material: ABS	Process: INJECTION
Dimension in mm	The present drawing cannot be reproduced or communicated to 3rd parties, even partially, without the authorization of ITALTRONIC S.p.A. Italtronic reserves to protect its own rights according to the law.			Weight: 13.31 gr	Cod. Mold: ST.1400230
italtronic enclosures for electronics italtronic.com		Description: ANELLO ITOUCH STD SHAPE H15 ITOUCH STD SHAPE RING H15		Drawing nr.:	Rev.:
		2_010_00057		00	A3