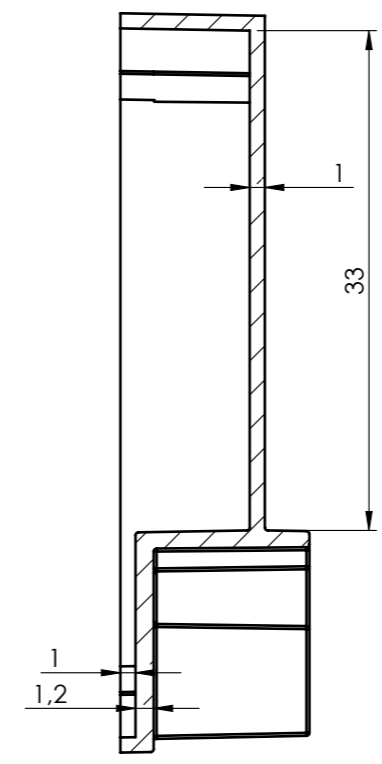
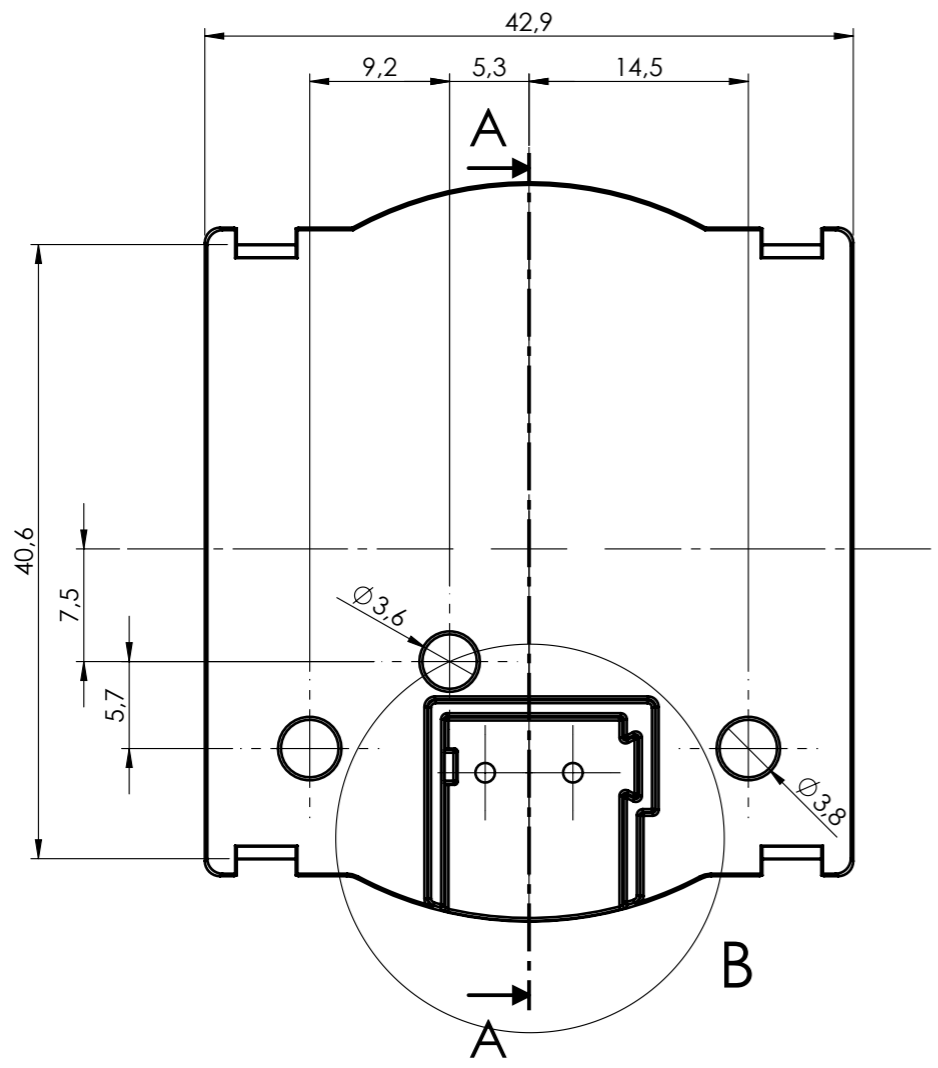
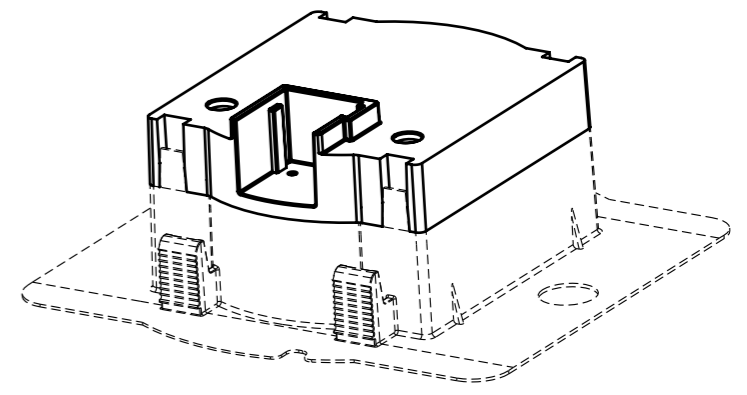



DETAIL B  
SCALE 3 : 1



SECTION A-A



General Tolerance UNI EN 22768/1 Media (m)					Sheet:
from 0.5 to 3 $\pm 0.1$	from 3 to 6 $\pm 0.1$	from 6 to 30 $\pm 0.2$	from 30 to 120 $\pm 0.3$	from 120 to 400 $\pm 0.5$	1
Scale: 2:1	Drawn: R.N.	Checked: R.N.	Date: 01/03/2023	Material: ABS	Process: INJECTION
Dimension in mm		Derived from: --	Weight: 4.64 gr		Cod. Mold: ST.1400010
 <b>italtronic</b> enclosures for electronics italtronic.com		Description: CHIUSURA POSTERIORE CON AGGANCI D60 KNX REAR CLOSURE WITH D60 KNX HOOKS			Rev.: 00
Drawing nr.: <b>2_020_00003</b>				A3	