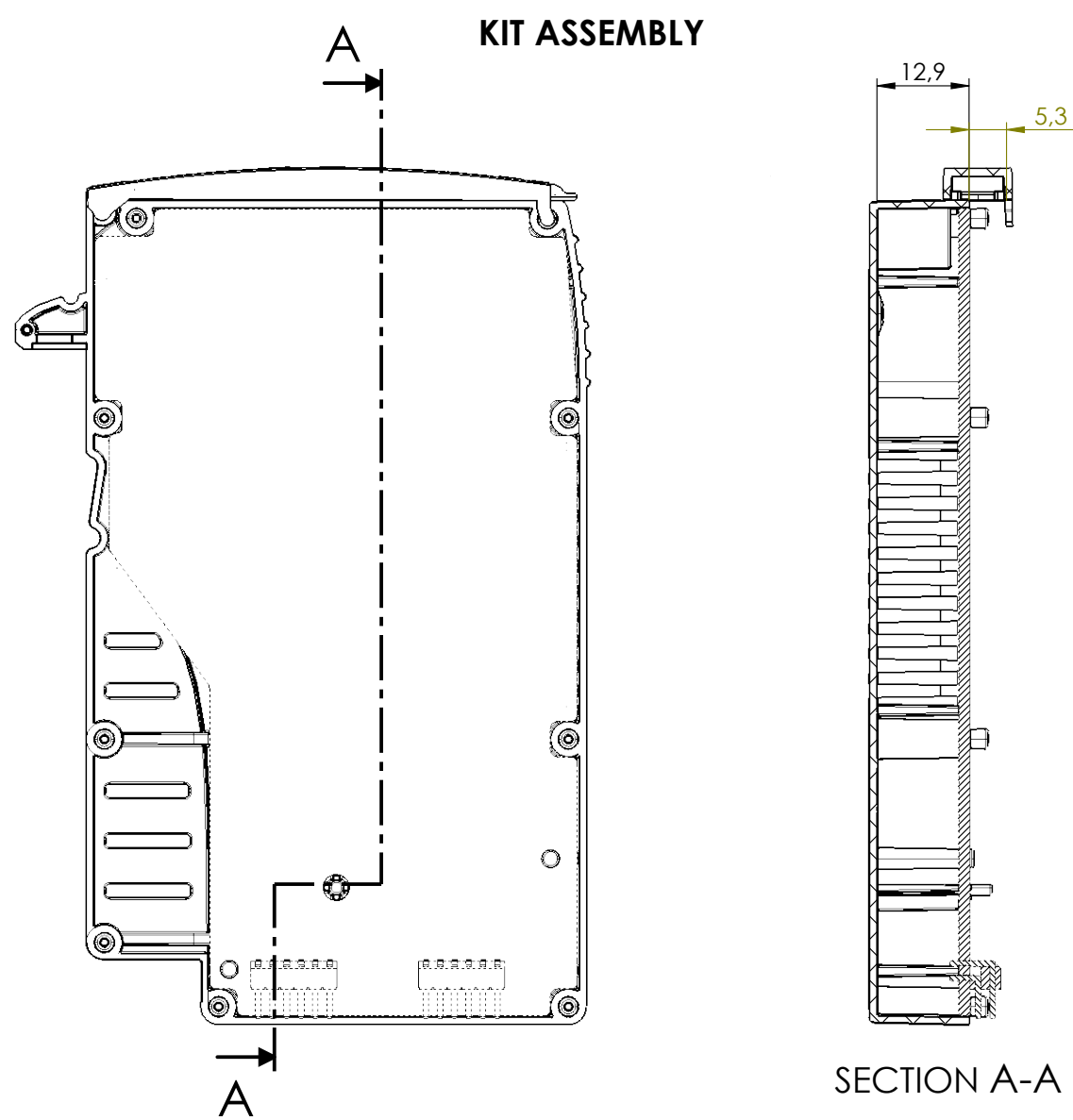
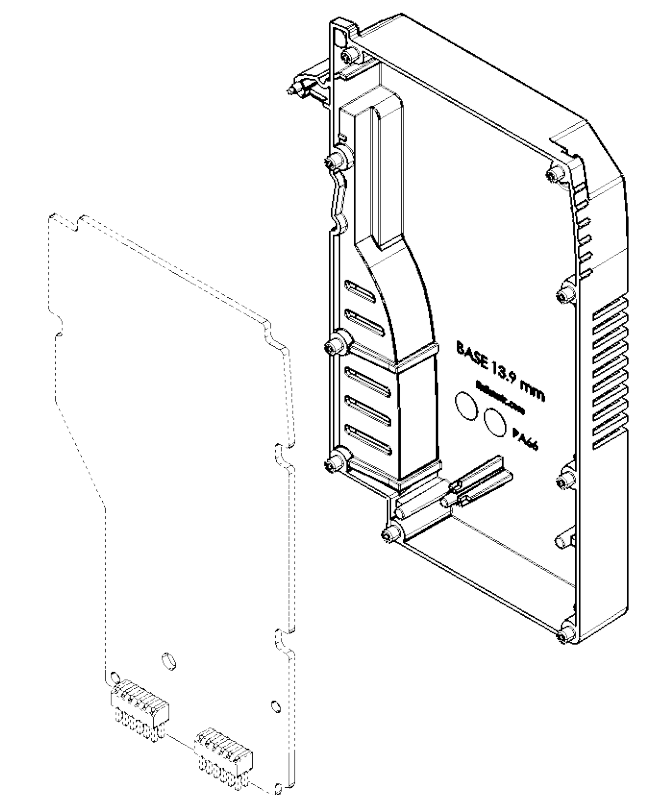
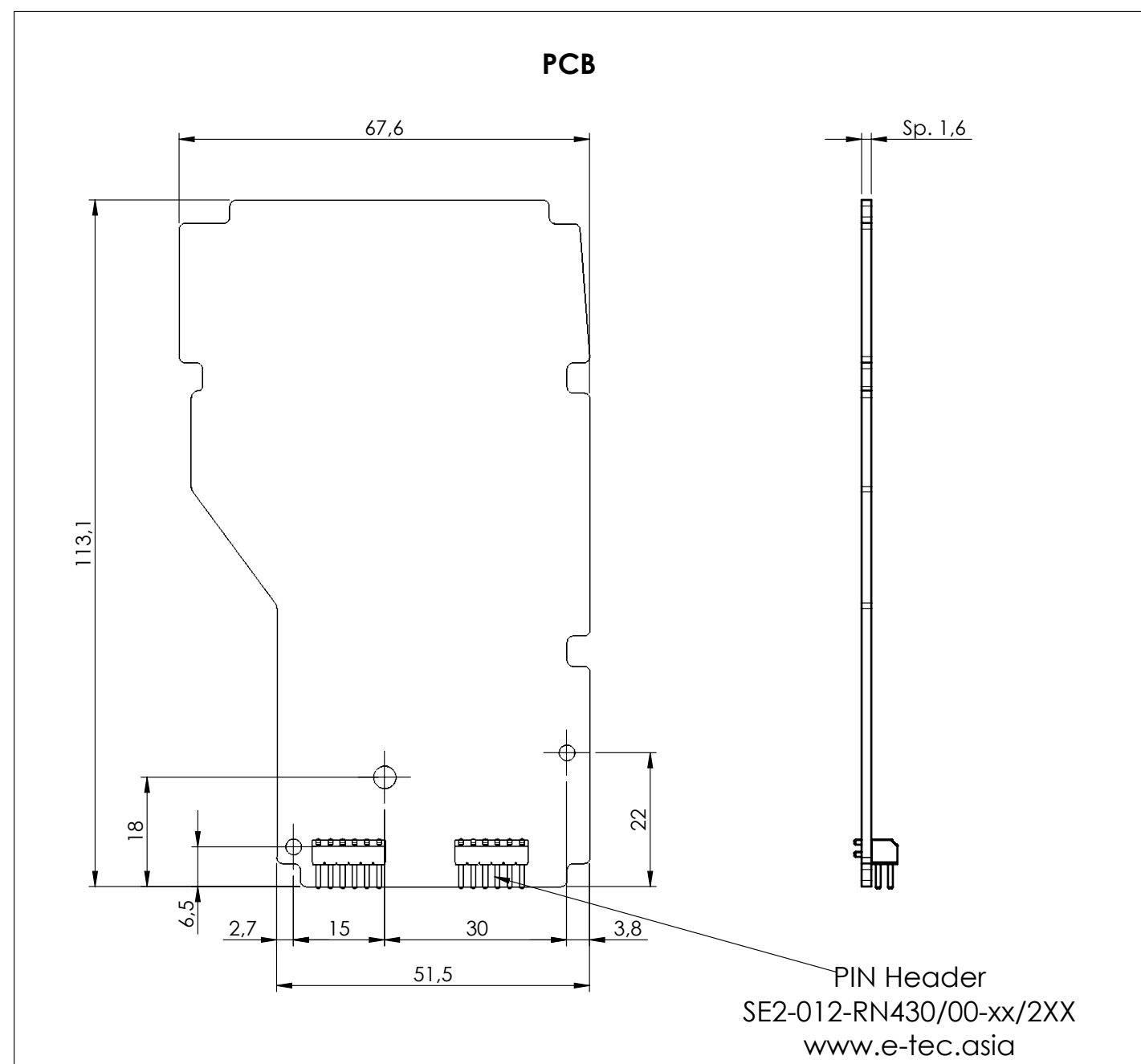


SECTION B-B



SECTION A-A



| General Tolerance UNI EN 22768/1 Media (m)                 |                          |                           |                             |                              | Sheet:   |
|--|--------------------------|---------------------------|-----------------------------|------------------------------|--|
| from 0.5 to 3<br>$\pm 0.1$                                 | from 3 to 6<br>$\pm 0.1$ | from 6 to 30<br>$\pm 0.2$ | from 30 to 120<br>$\pm 0.3$ | from 120 to 400<br>$\pm 0.5$ | 1  |
| Scale: 1:1   | IM: --                   | Drawn: M.S.               | Checked: R.N.               | Date: 09/06/2022             | Material: PA66   |
| Dimension in mm  |                          | Replaces the: --          |                             | Derived from: --             | Weight: 17.75 gr   |
| italtronic<br>enclosures for electronics<br>italtronic.com |                          |                           |                             |                              | Description:<br>BASE CARTUCCIA LATUSBOX 13.9 MM<br>BASE CARTRIDGE LATUSBOX 13.9 MM<br>Drawing nr.:<br><b>2_260_00023</b> |
|  |                          |                           |                             |                              | Process:<br>INJECTION<br>Cod. Mold:<br>ST.17051014<br>Rev.:<br>00 A2   |