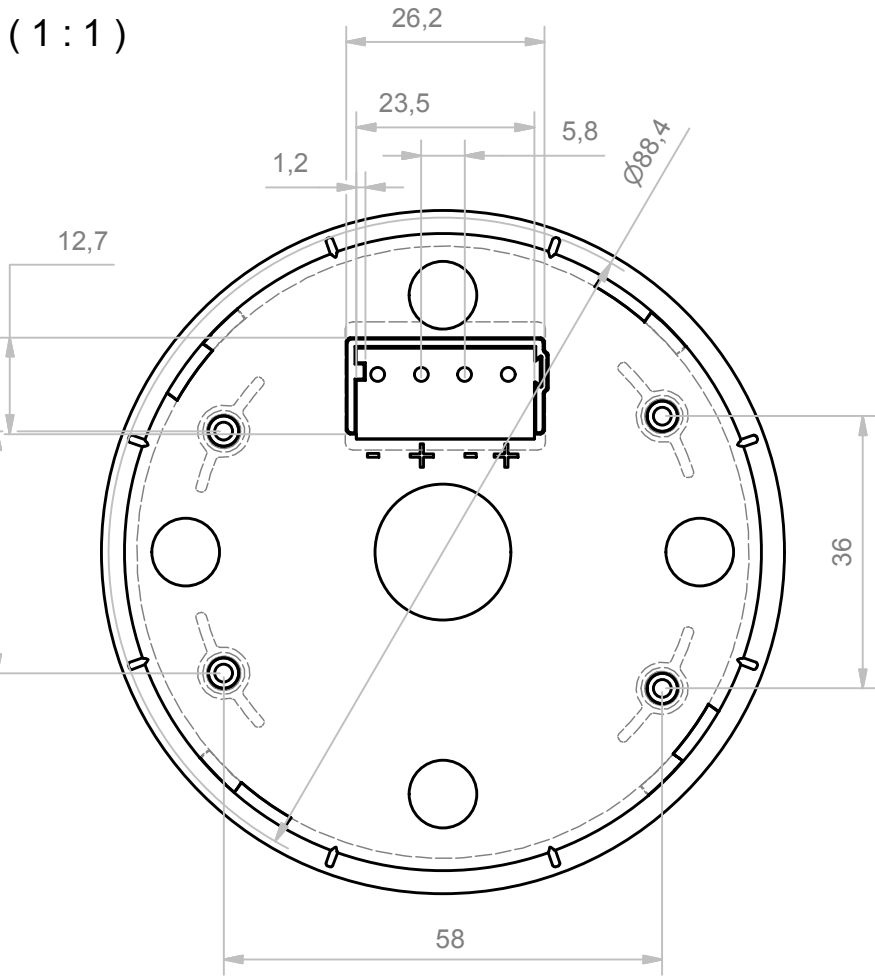


$\varnothing 90,3^{+0}_{-0,1}$

$\varnothing 9$

B-B (1:1)

A-A (1:1)



6,5

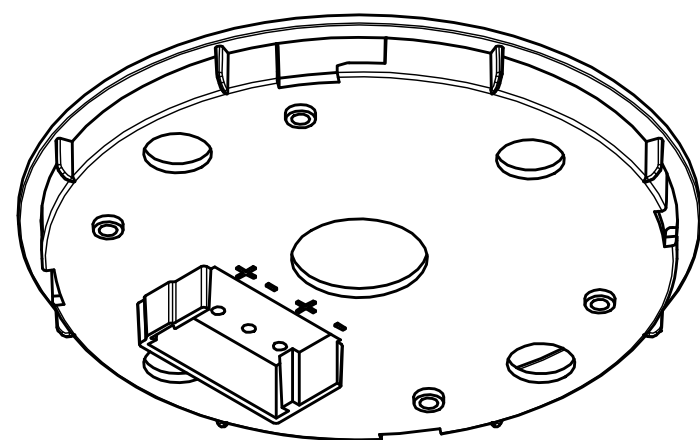
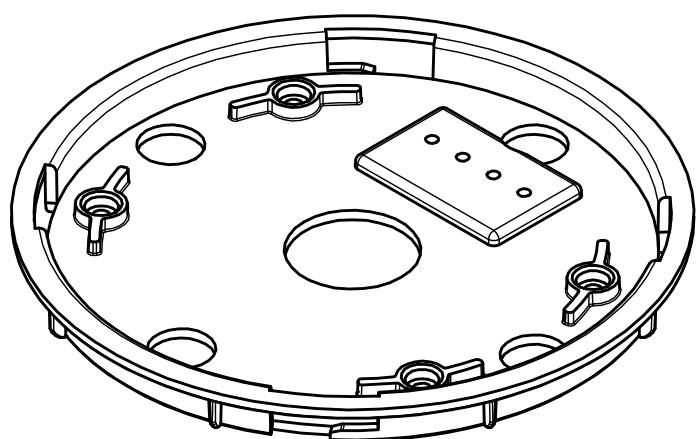
3,3

7,5

32

36

58



RESERVED PROPERTY: The present drawing cannot be reproduced or communicated to 3d parties, even partially, without the authorization of ITALTRONIC Srl. Italtronic reserves to protect its own rights according to the law.				
GENERAL TOLERANCE	UNI EN 22768/1 Media (m)	Drawn:	Checked:	Scale:
Sheet nr.:	Dimension in mm	ITALTRONIC Fanin F.		1 : 1
1 / 1		DRAWING BY	Date:	Material:
			01/01/2016	--
Description:				Weight:
EYE-VASCHETTA PCB KNX 4 PINS X DISPLAY ORIZ E VERT EYE ENCLOSURE PCB KNX 4 PINS FOR DISP VERT AND HOR				0,012 kg
 Italtronic s.r.l. via Austria 25/D - 35127 Padova - Italy www.italtronic.com			Drawing nr.	Rev.
			1.001.07147	