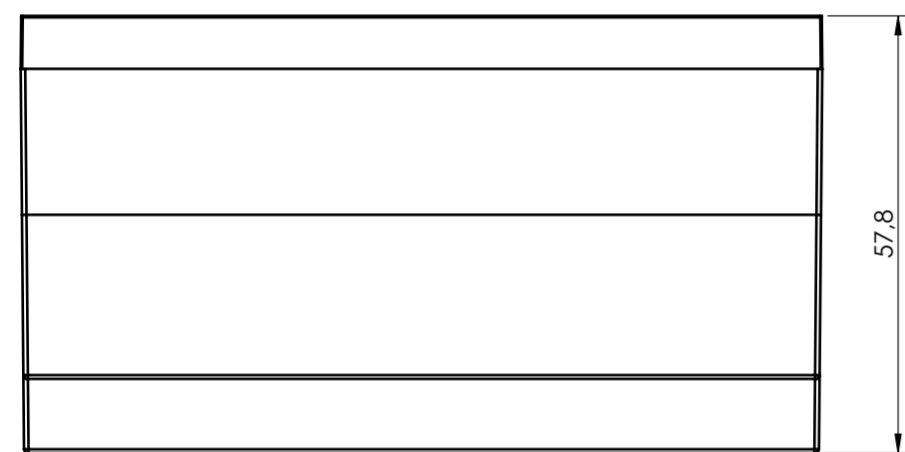
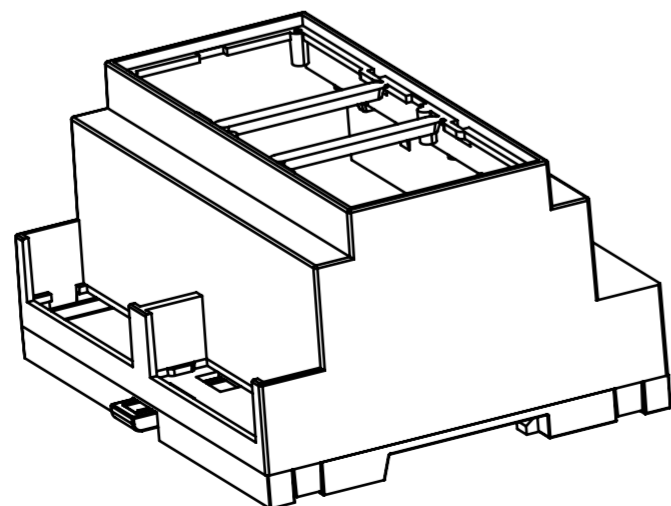
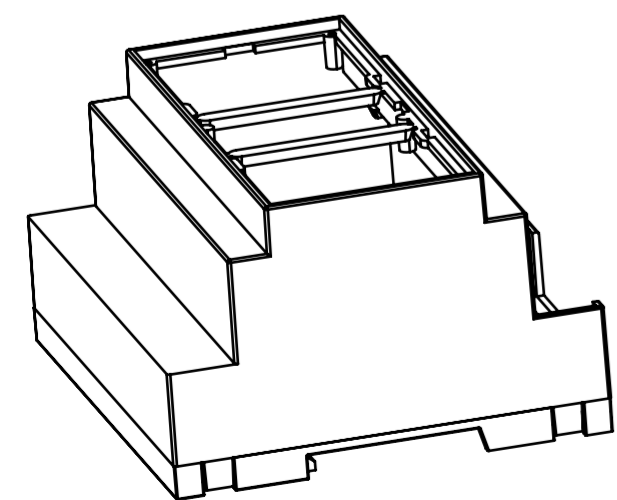


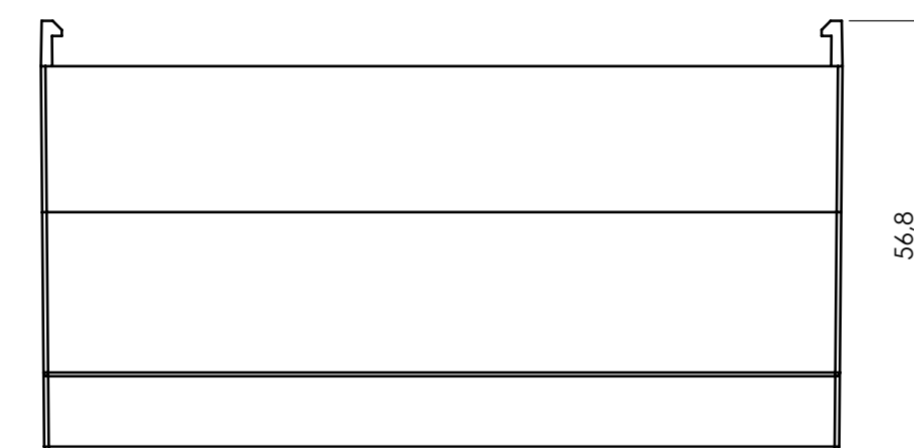
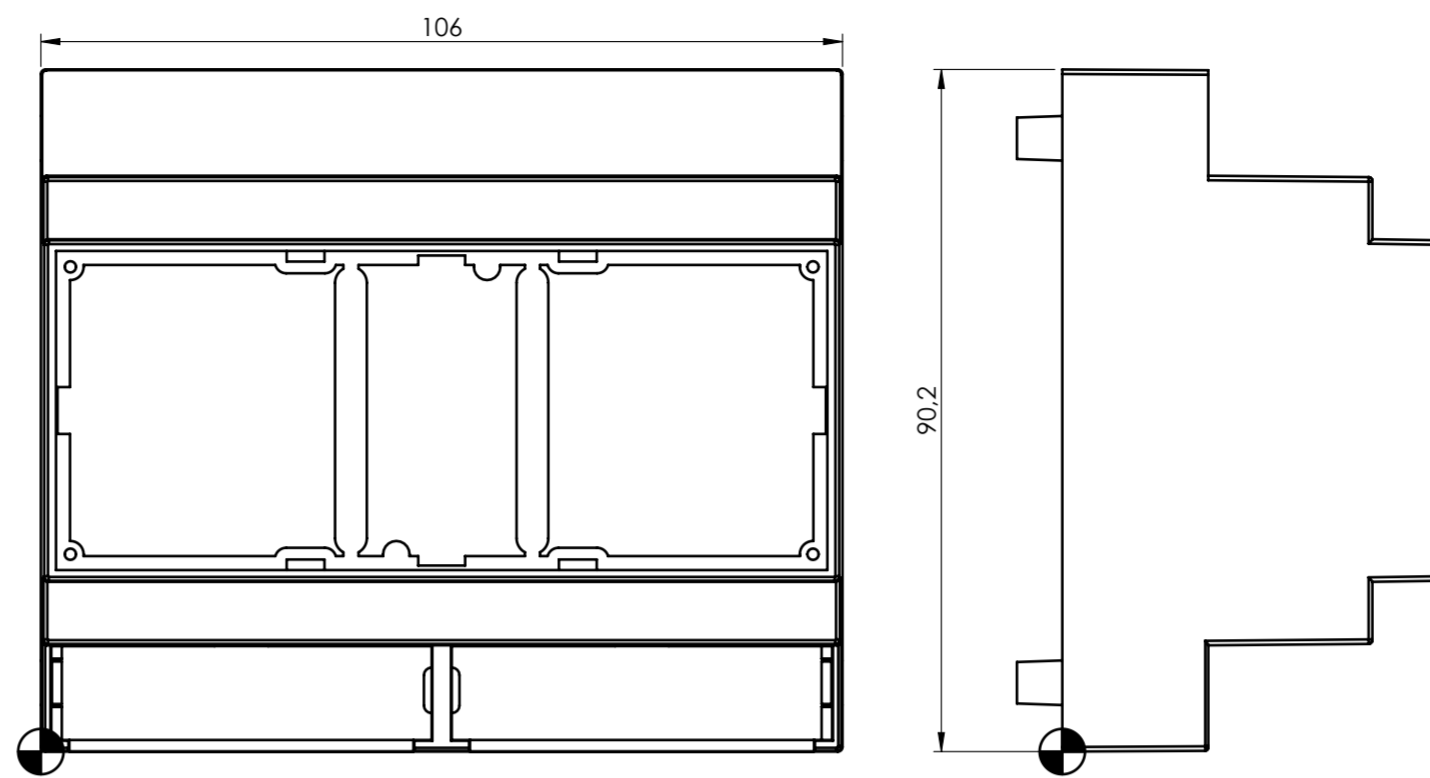
SECTION A-A



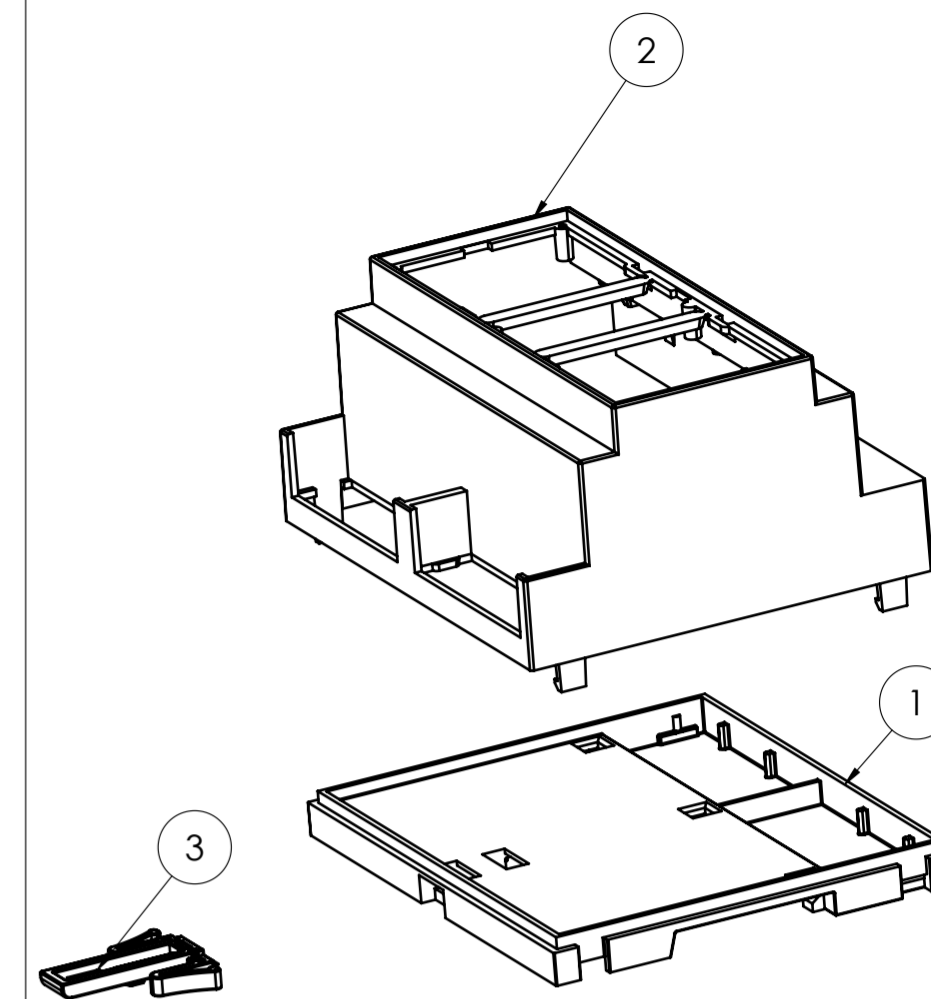
57.8



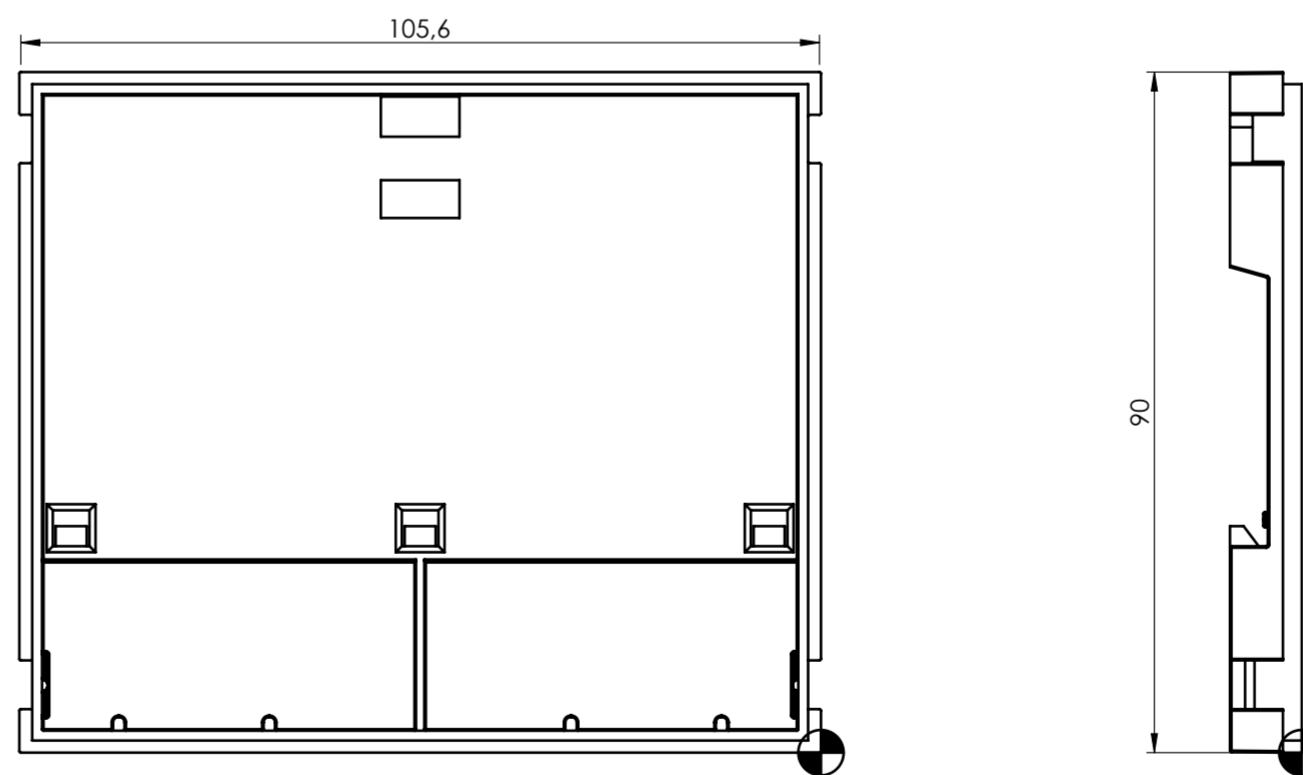
BODY ENCLOSURE



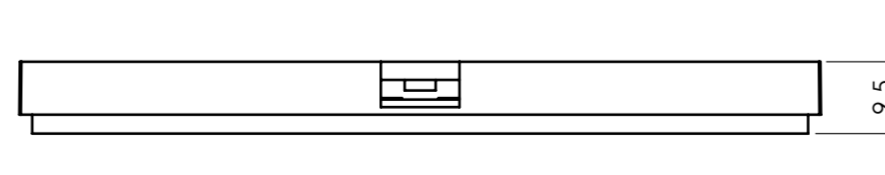
56.8



BASE

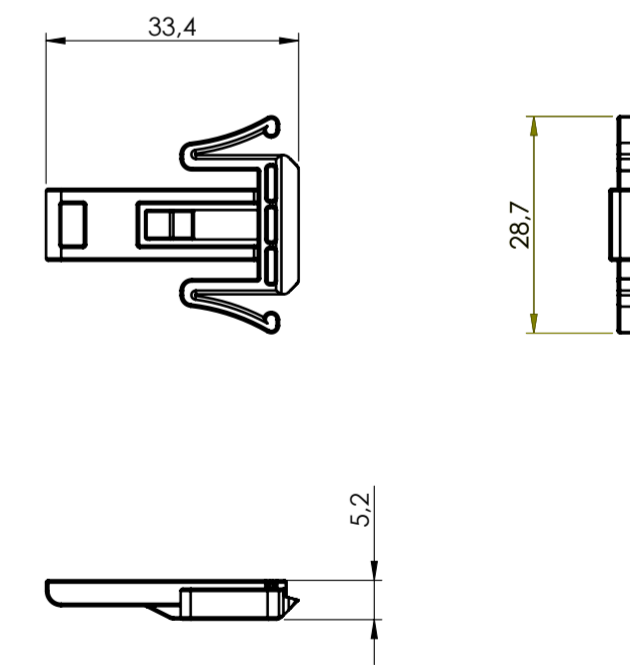


90



9.5

HOOK



28.7

5.2

- General information:
- Workpiece zero point for mechanical processing
 - Minimum recommended radius for machining = R1.0 mm
 - Mounting rail like EN 60715: TH 35-7.5 or TH 35-15
 - Recommended PCB outline on www.italtronic.com

RIF.	Q.TY	DRAWING	DESCRIPTION
1	1	2_250_00147	BASE MODULBOX ONE 6M
2	1	2_250_00191	BODY ENCLOSURE MODULBOX ONE 6M53
3	1	2_250_00079	HOOK FOR MODULBOX ONE

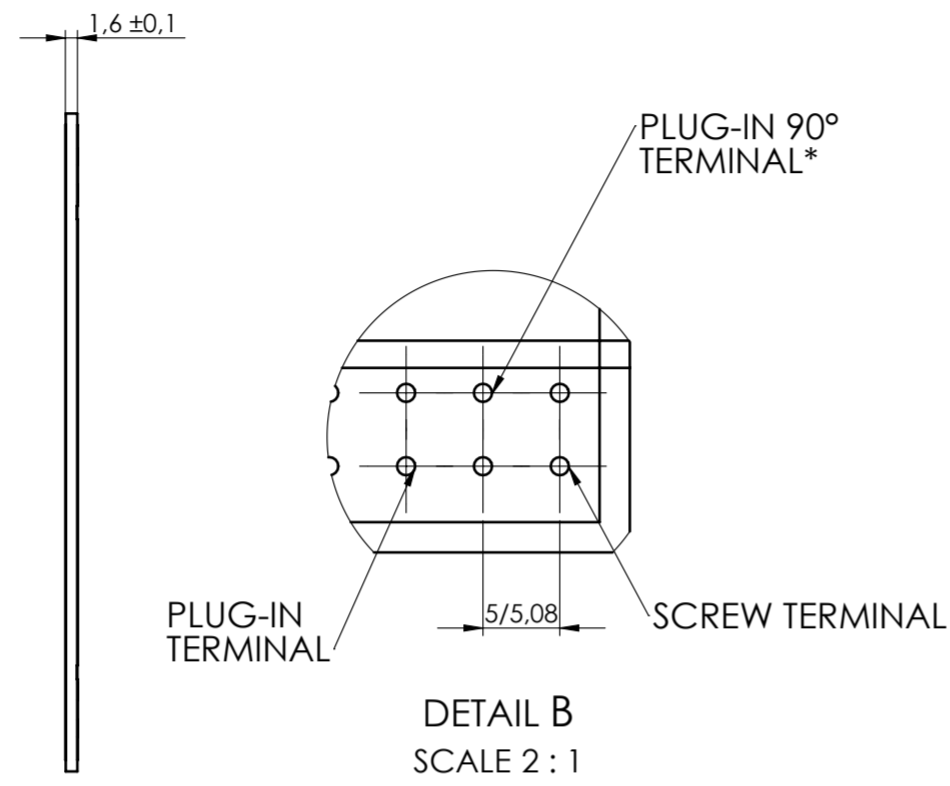
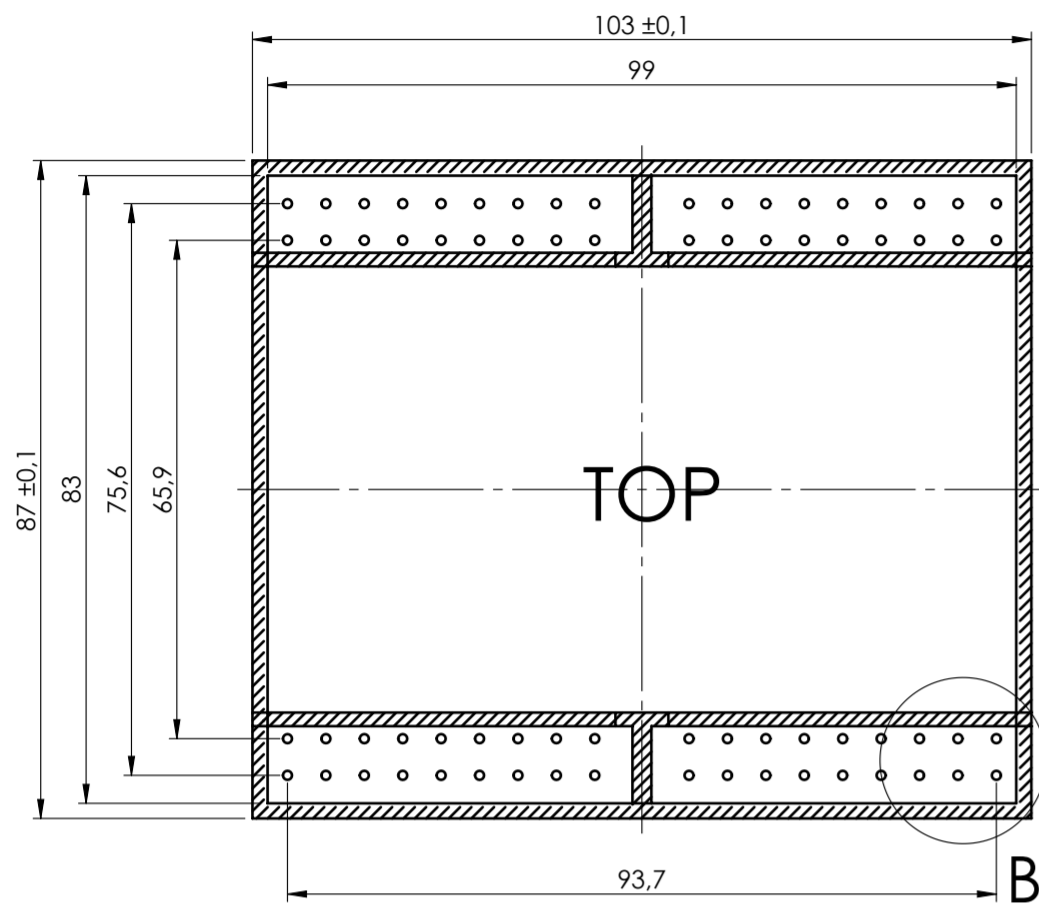
General Tolerance UNI EN 22768/1 Media (m)					Sheet:
from 0.5 to 3	from 3 to 6	from 6 to 30	from 30 to 120	from 120 to 400	1
± 0.1	± 0.1	± 0.2	± 0.3	± 0.5	
Scale:	IM:	Drawn:	Checked:	Date:	Material:
1:1	--	M.S.	R.N.	25/07/2023	Process:
	The present drawing cannot be reproduced or communicated to third parties, even partially, without the authorization of Italtronic. Italtronic reserves the right to protect its copyrights according to the law.		Replaces the:	Derived from:	Weight:
Dimension in mm			M-04823-01		gr
Description:					Cod. Mold:
KIT CONTENITORE MODULBOX ONE 6M53					--
KIT ENCLOSURE MODULBOX ONE 6M53					
Drawing nr.:					Rev.:
3_250_00167					- A2



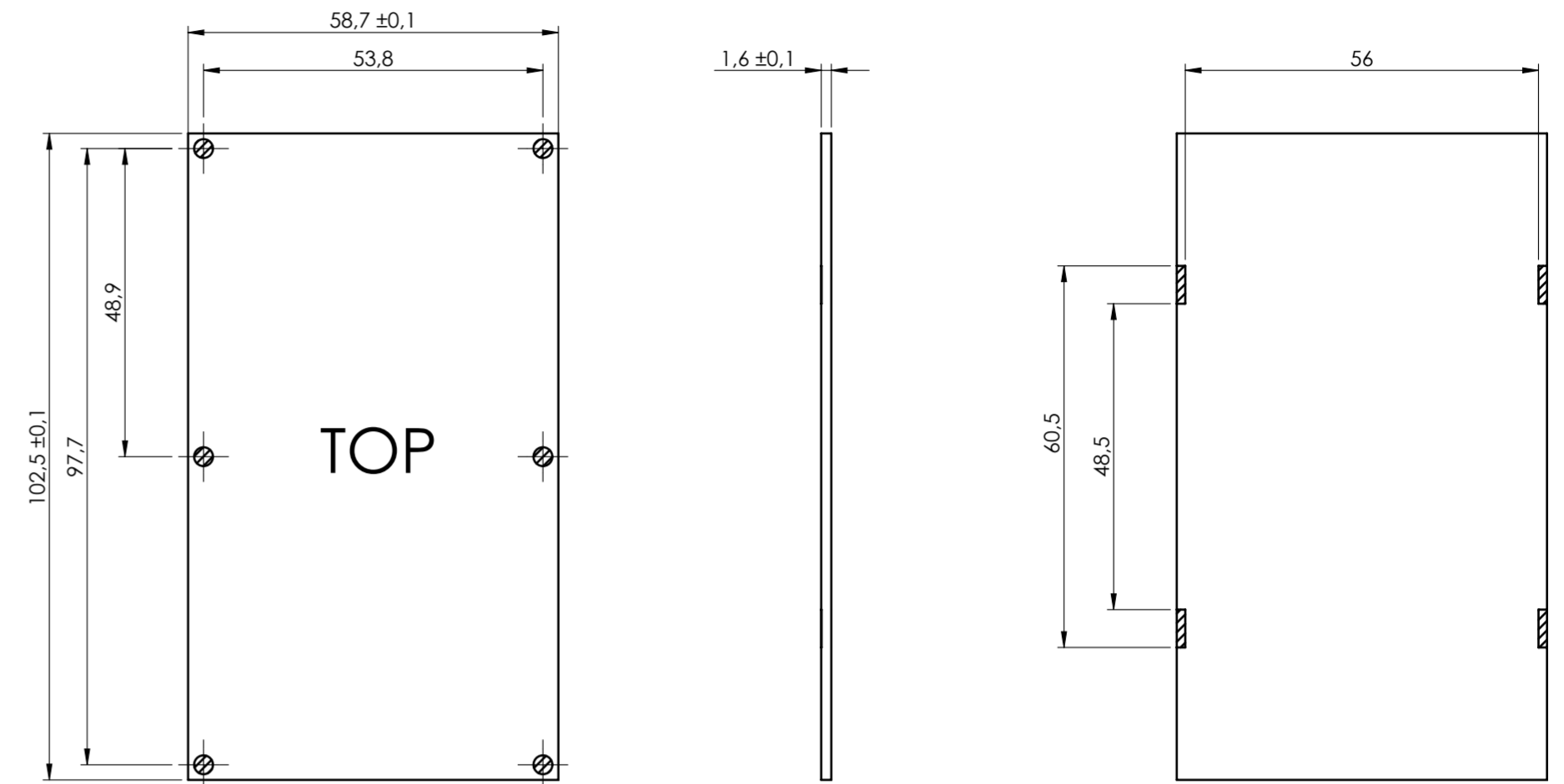
3_250_00167

PCB A

Max height of the terminal:
Modulbox ONE: 20 mm

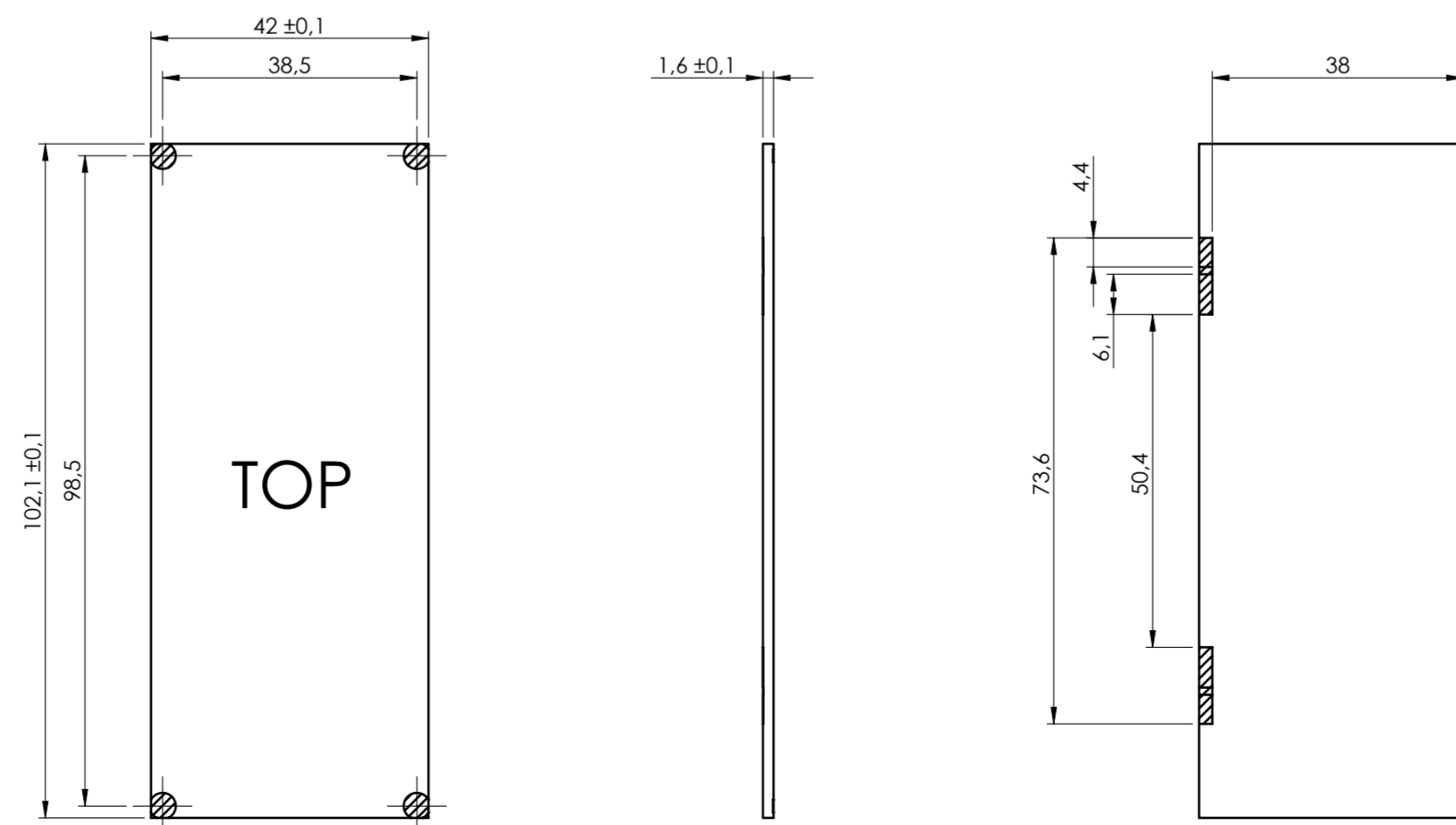


PCB B



*To use the PLUG-IN terminals in Modulbox ONE use plug-in adapter P05000003E (5/5.08 pitch) and P05000004E (7.5/7.62 pitch)

PCB C



General Tolerance UNI EN 22768/1 Media (m)						Sheet:
from 0.5 to 3 ± 0.1	from 3 to 6 ± 0.1	from 6 to 30 ± 0.2	from 30 to 120 ± 0.3	from 120 to 400 ± 0.5		PCB
Scale:	IM:	Drawn:	Checked:	Date:	Material:	Process:
1:1	--	M.S.	R.N.	25/07/2023		
Dimension in mm		Replaces the:		Derived from:	Weight:	Cod. Mold:
		M-04823-01			gr	--
 enclosures for electronics italtronic.com		Description: KIT CONTENITORE MODULBOX ONE 6M53 KIT ENCLOSURE MODULBOX ONE 6M53 Drawing nr.: 3_250_00167				Rev.: - A2

NO COMPONENTS AREA