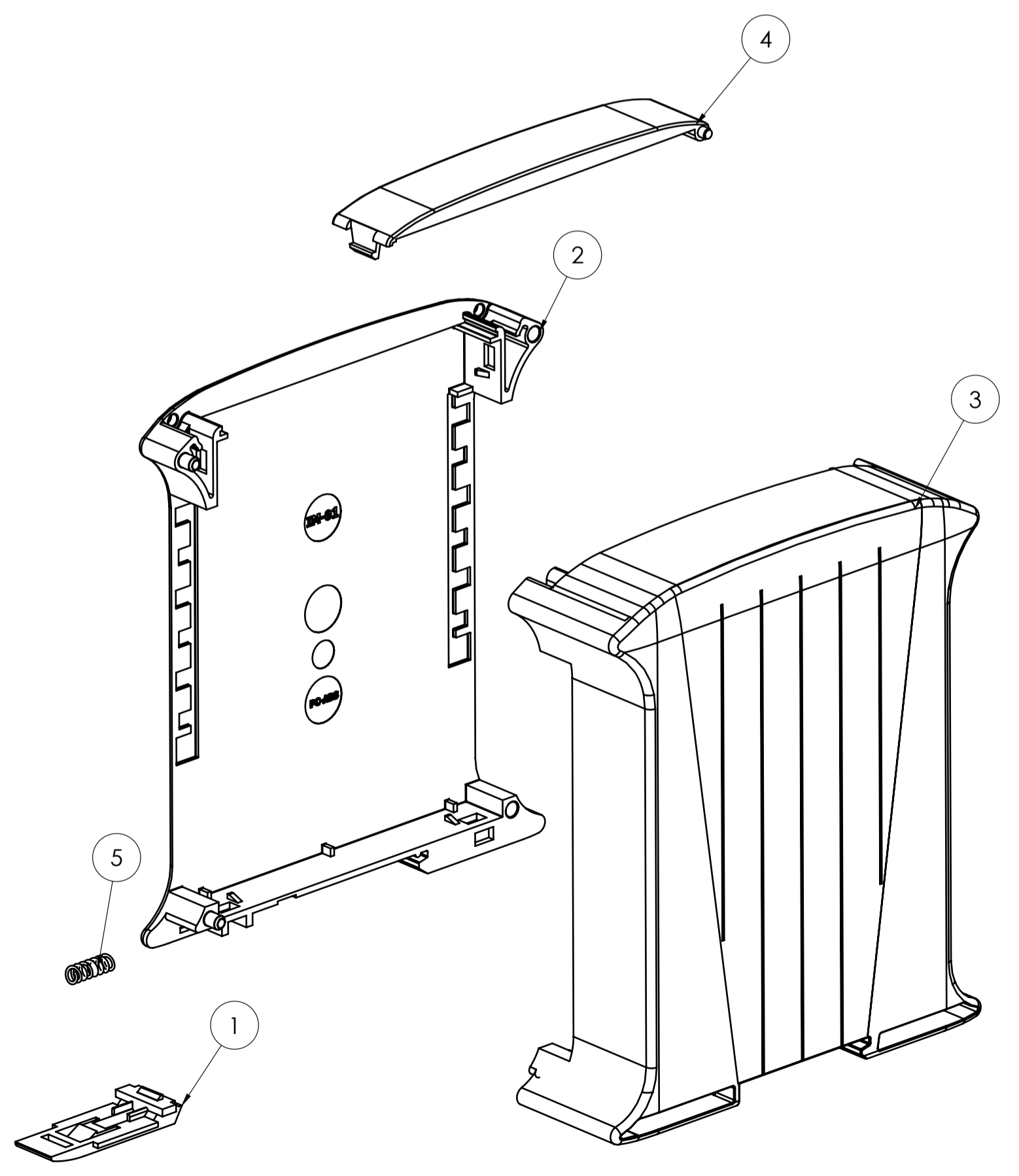
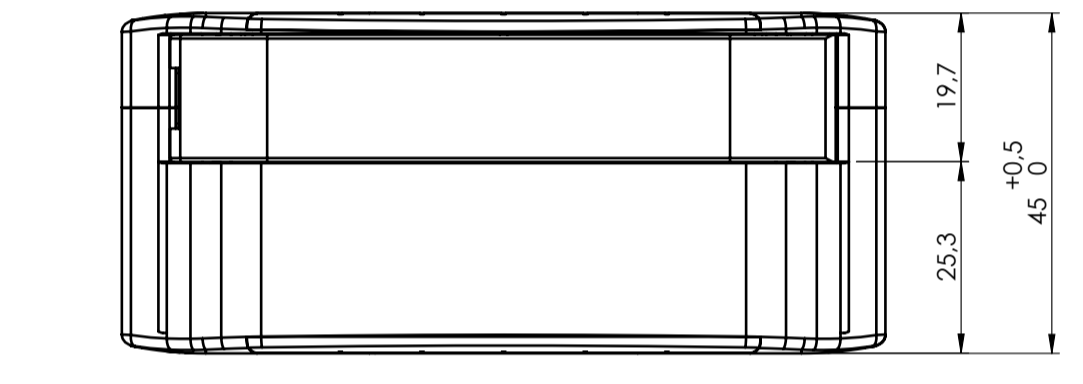
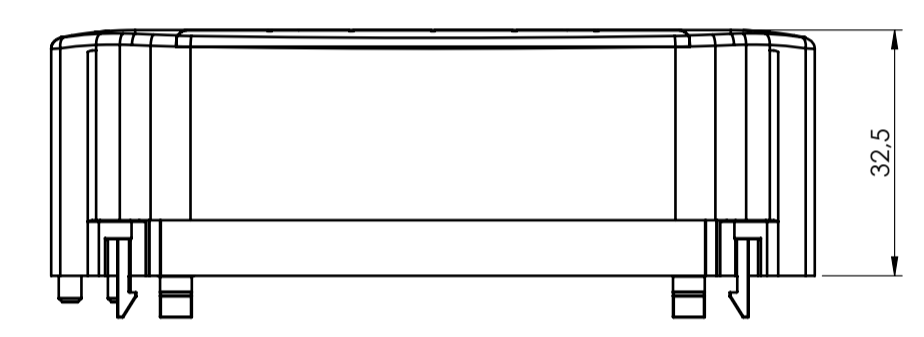
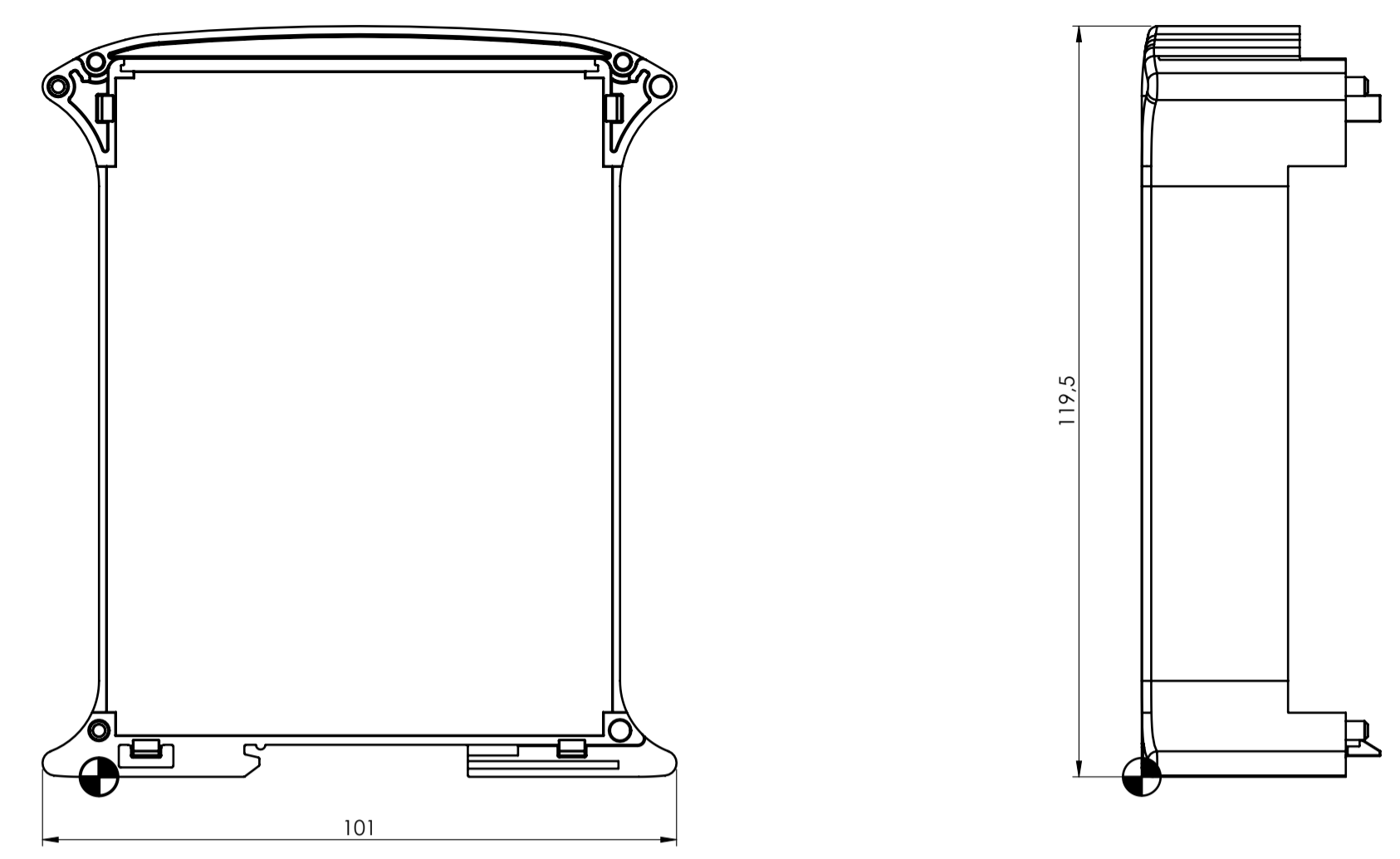


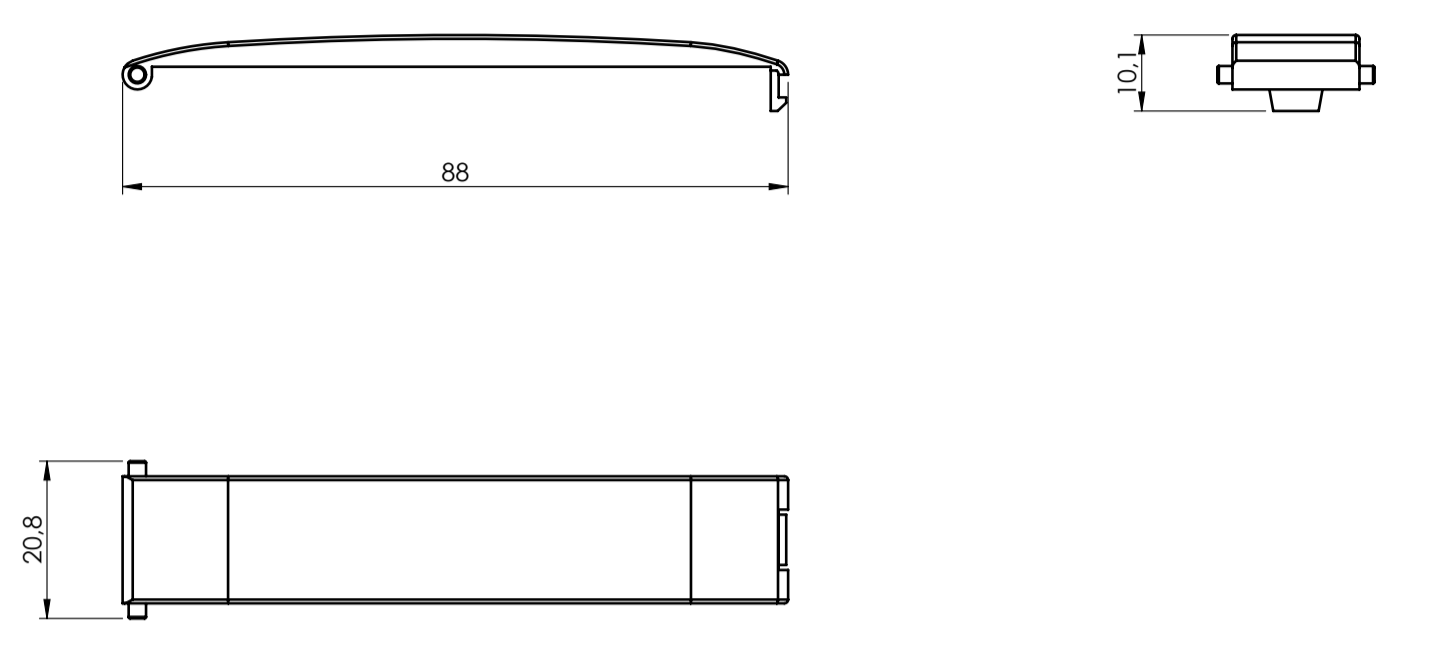
SECTION A-A



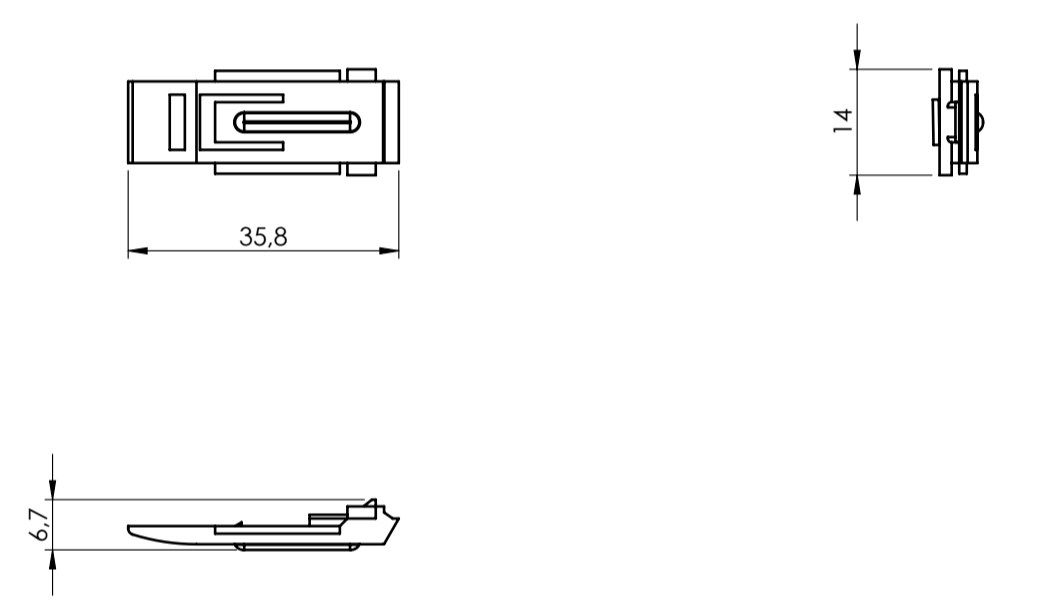
COVER RAILBOX



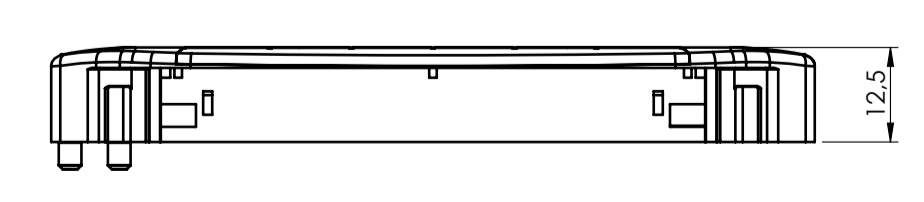
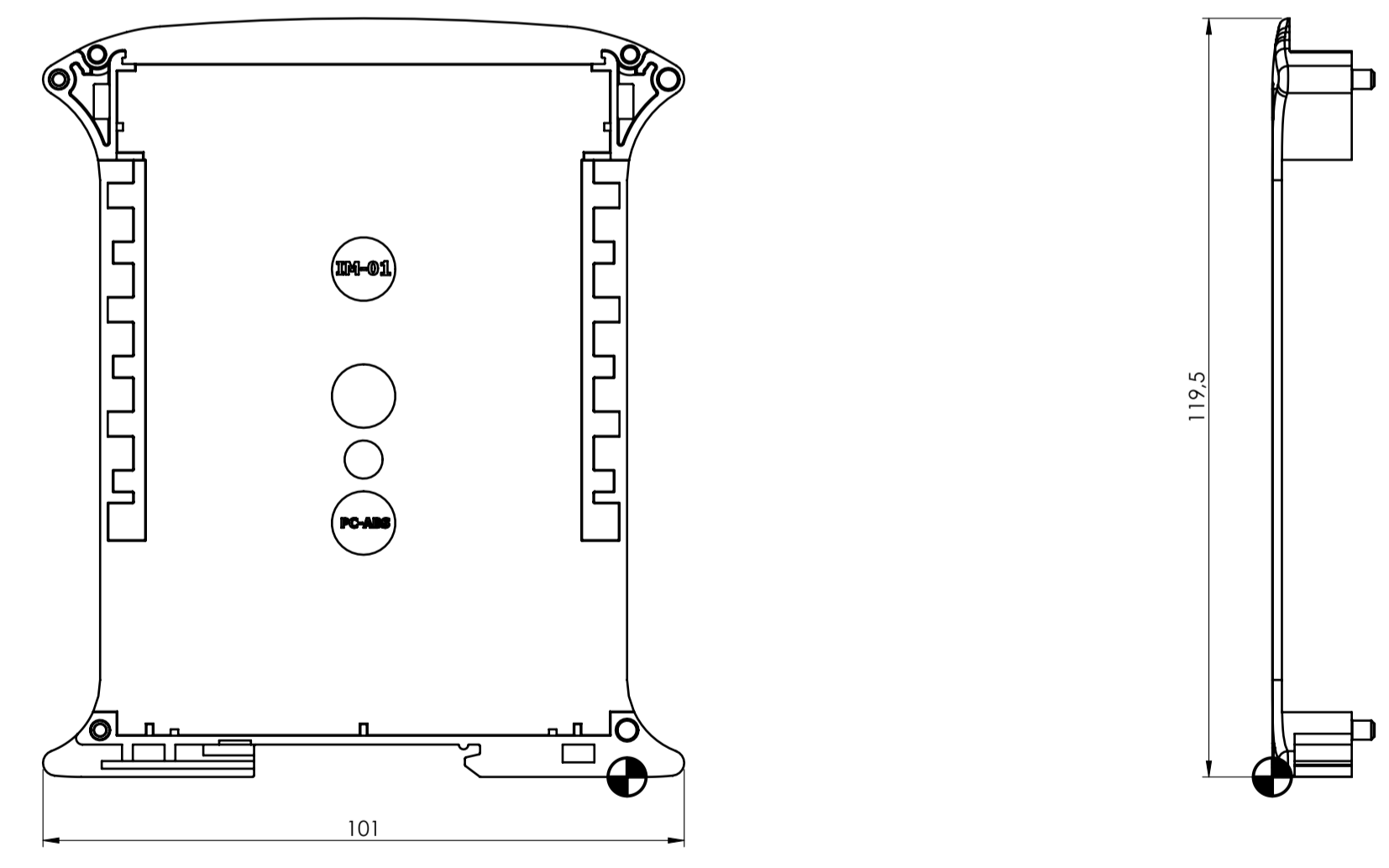
HINGED PANEL



HOOK

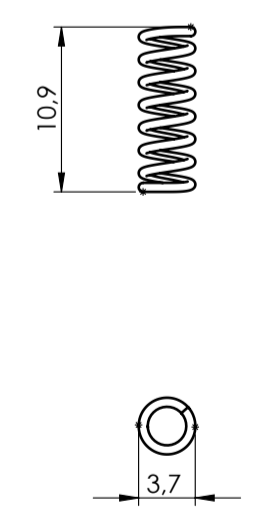


BASE RAILBOX



SPRING

2:1



General information:  
 - Workpiece zero point for mechanical processing  
 - Minimum recommended radius for machining = R1.0 mm  
 - Mounting rail like EN 60715: TH 35-15  
 - Recommended PCB outline on [www.italtronic.com](http://www.italtronic.com)

RIF.	Q.TY	DRAWING	DESCRIPTION
1	1	2_110_00032	HOOK RAILBOX
2	1	2_110_00033	BASE RAILBOX 12.5 MM 3L
3	1	2_110_00038	COVER RAILBOX PLUG&FIX 32.5 MM
4	1	2_110_00072	FRONT HINGED TRANSPARENT PANEL 17 MM
5	1	2_110_00011	SPRING FOR HOOK RAILBOX

General Tolerances (UNE EN 22768/1 Medio [mm])				
from 0.5 to 3	from 3 to 6	from 6 to 30	from 30 to 120	from 120 to 400
±0.1	±0.1	±0.2	±0.3	±0.5

Scale:	Drawn:	Checked:	Date:	Material:	Process:
1:1	M.S.	R.N.	04/09/2023		

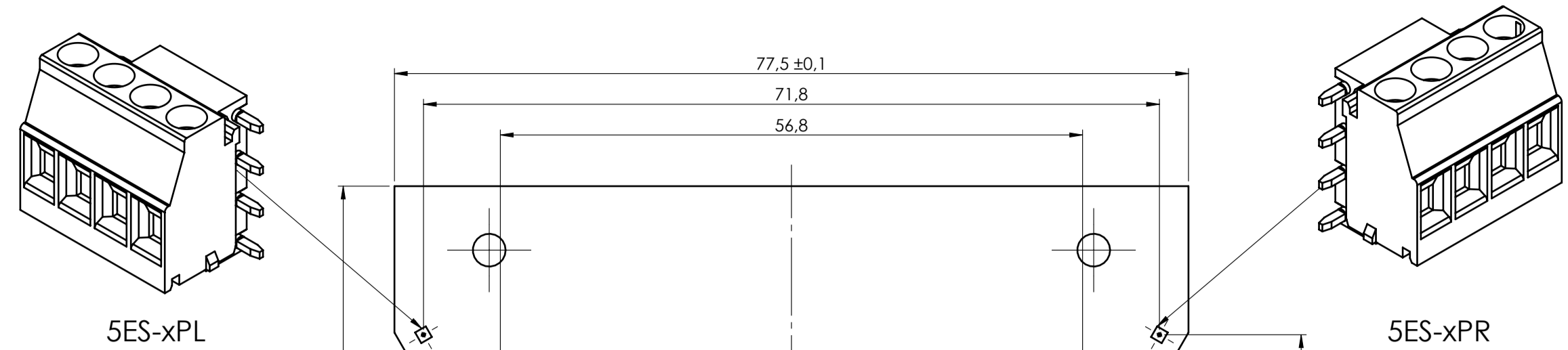
  

Dimension in mm	Replaces the:	Derived from:	Weight:	Cod. Mold:
	R-03434-00	--	gr	--

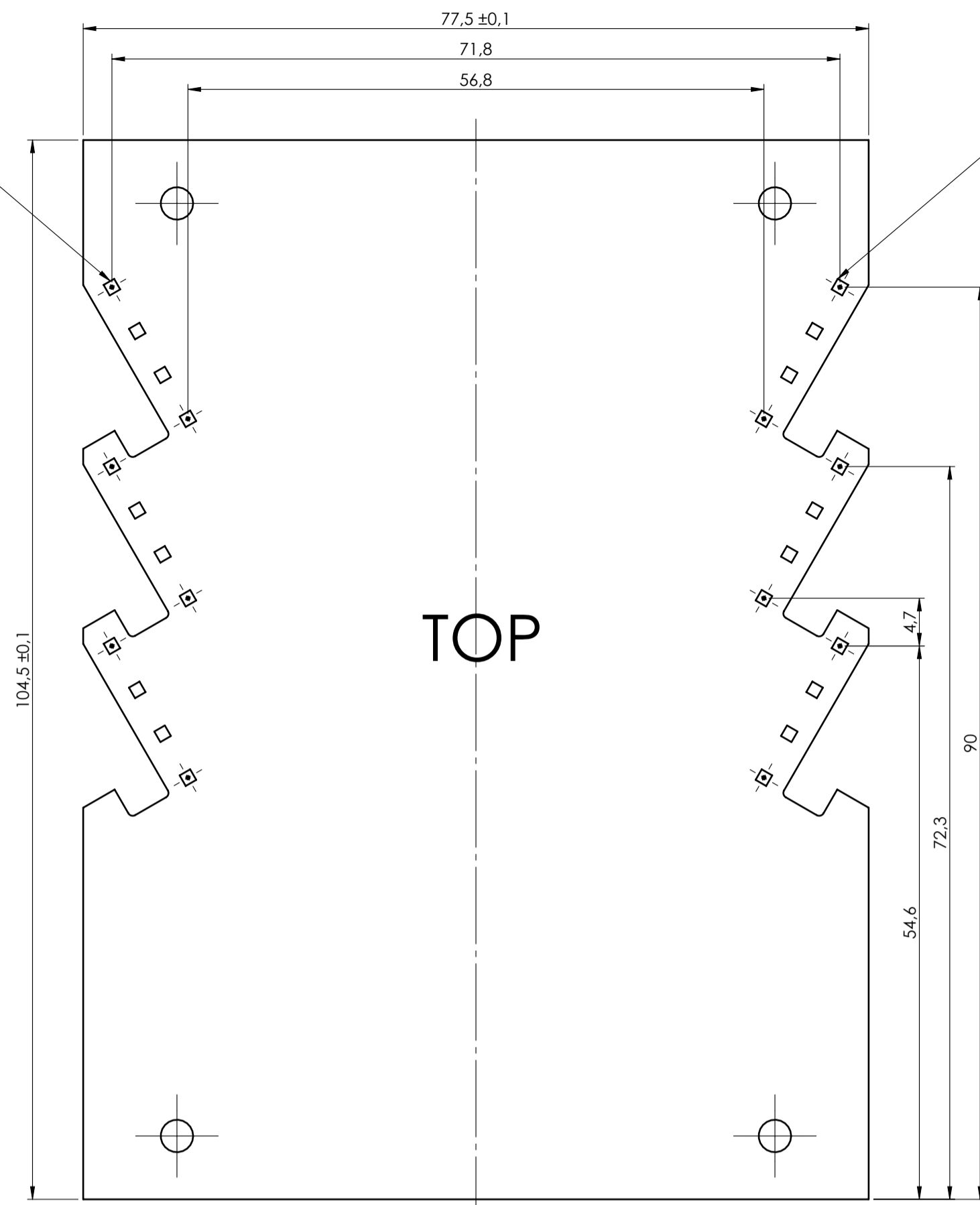
<b>italtronic</b> enclosures for electronics	Description: KIT CONTENITORE RAILBOX MULTILEVEL PLUG&FIX 45 MM KIT ENCLOSURE RAILBOX MULTILEVEL PLUG&FIX 45 MM Drawing n°: <b>3_110_00020</b>	Sheet: 1 Rev.: 00 A1
---	--	-------------------------------

PCB V FIX

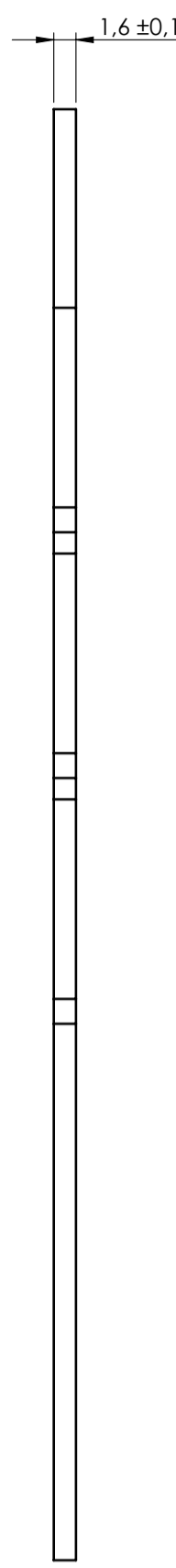


5ES-xPL

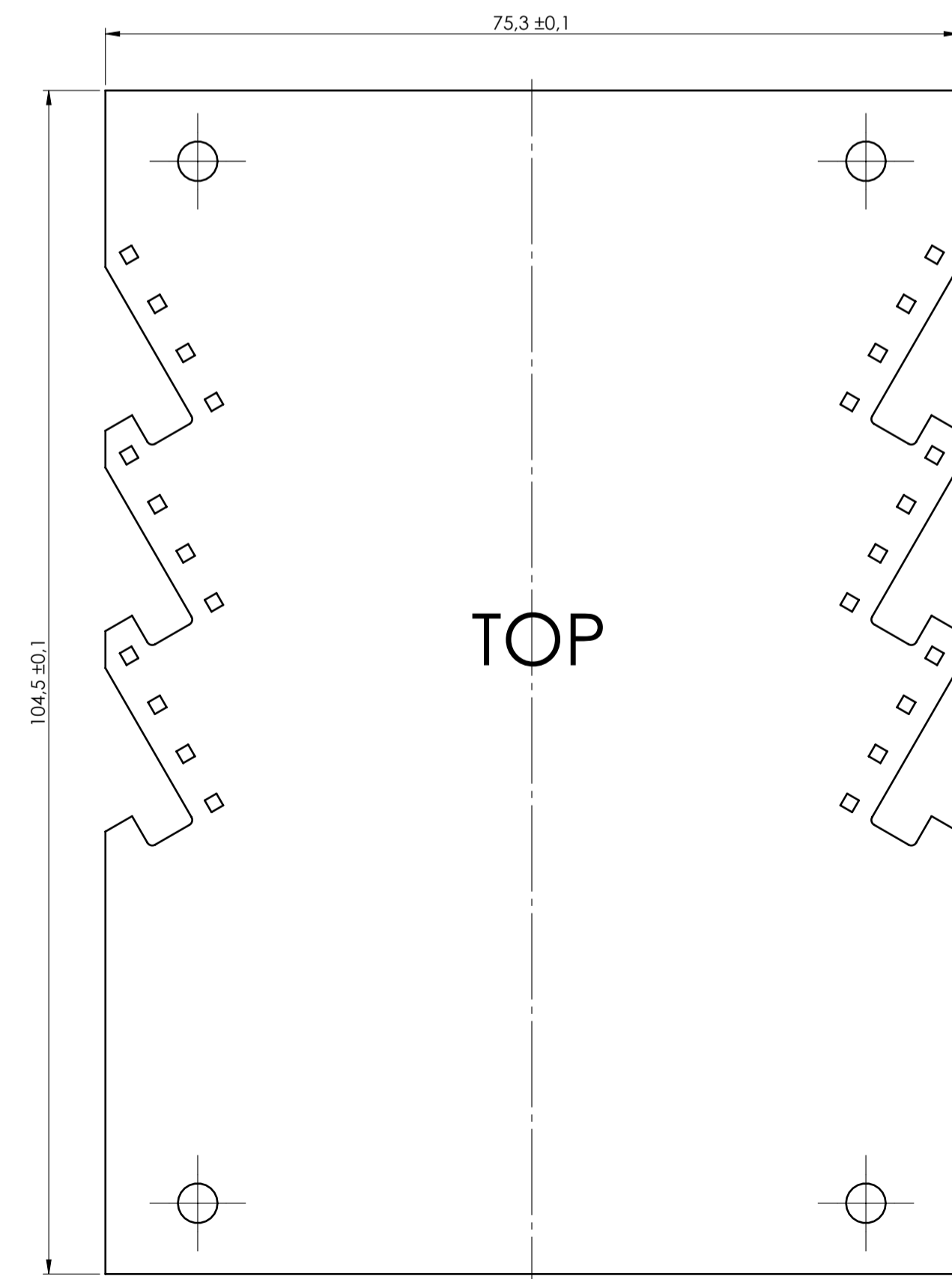
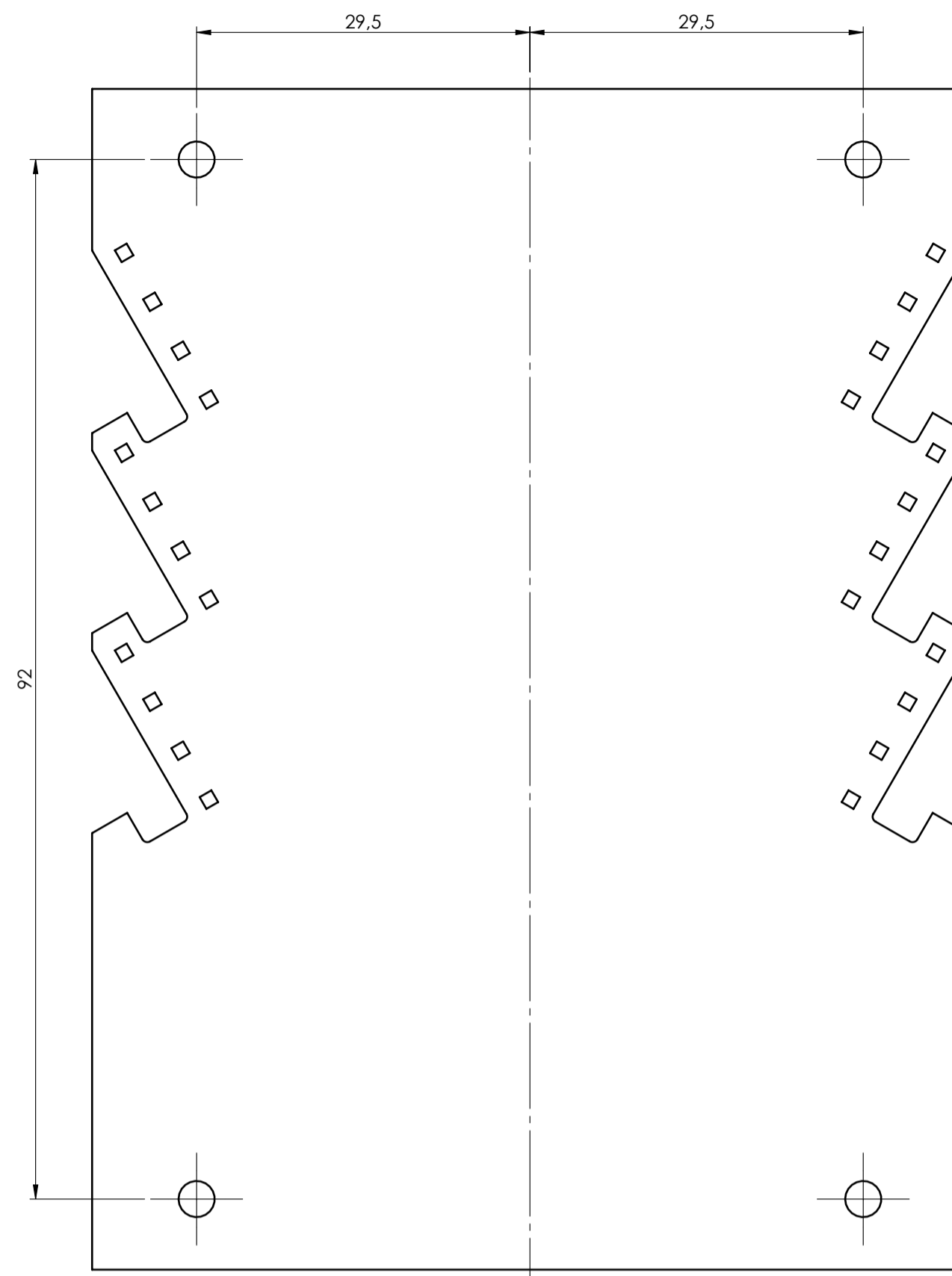
5ES-xPR



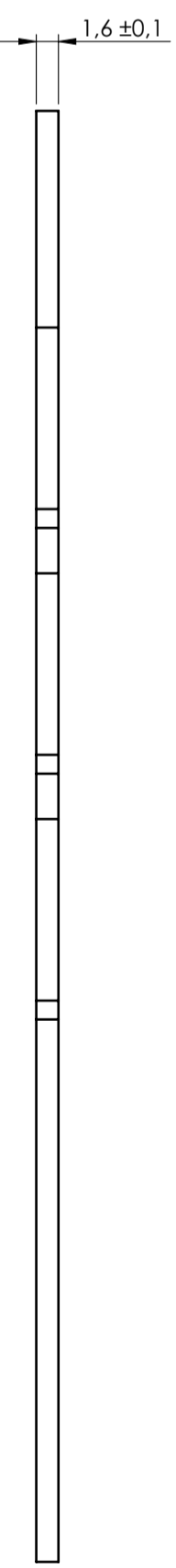
TOP



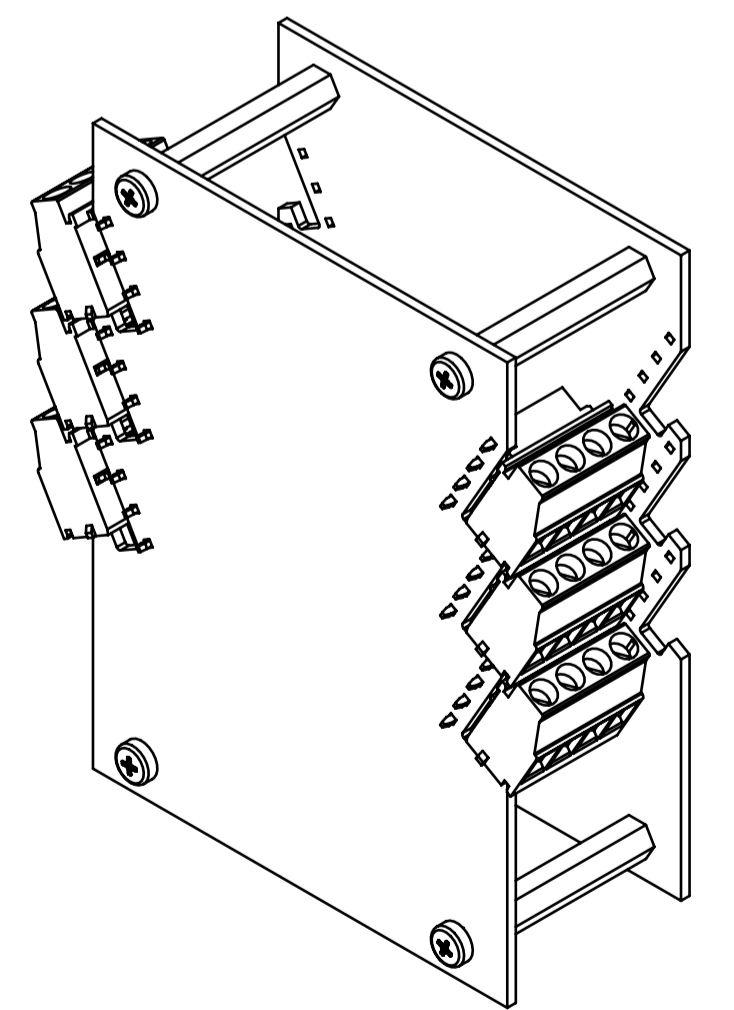
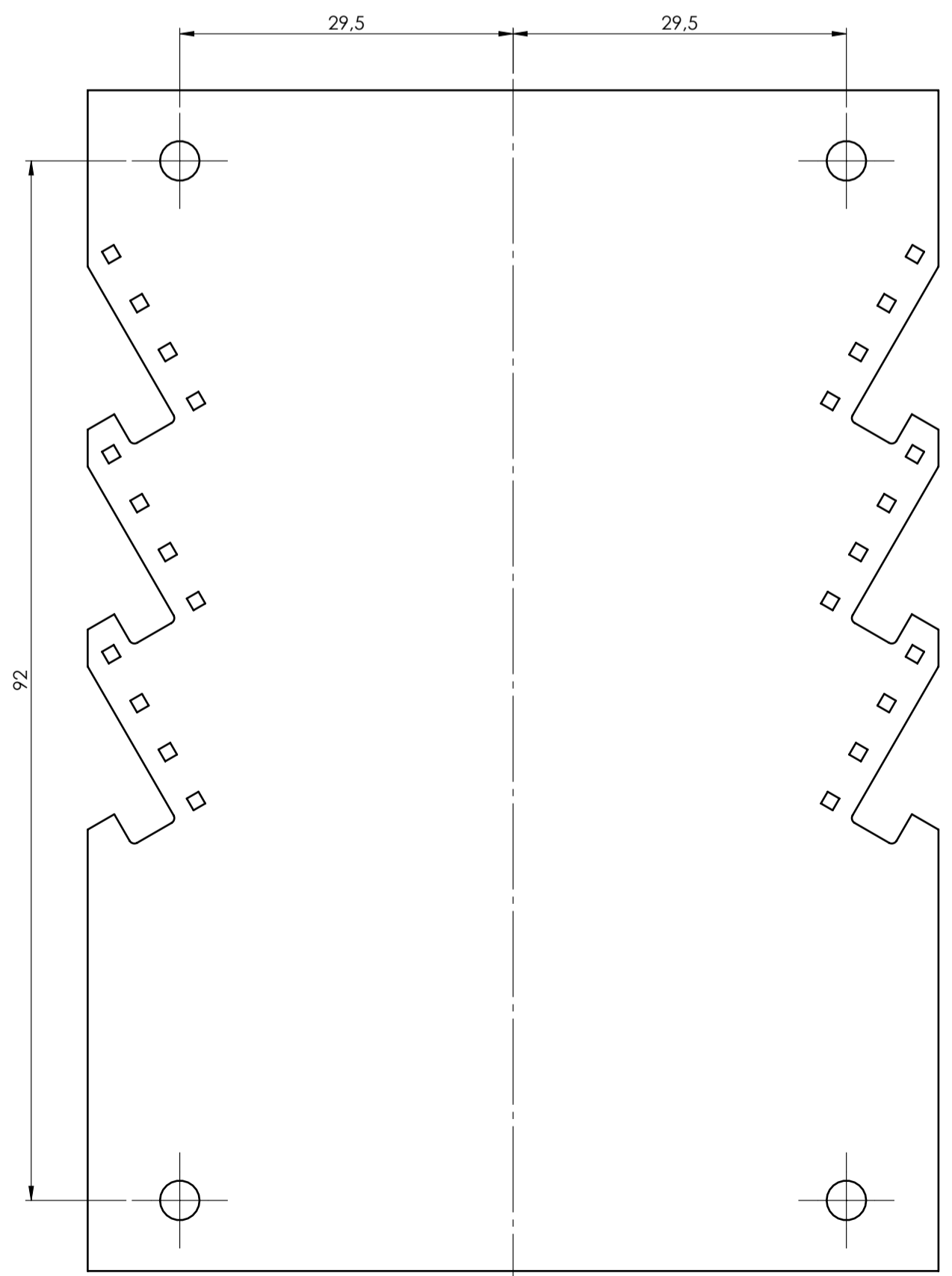
1,6 ± 0,1



TOP



1,6 ± 0,1



General Tolerance IIR EN 22768/1 Medio (m)				Sheet:	
from 0.5 to 3 ± 0.1	from 3 to 6 ± 0.1	from 6 to 30 ± 0.2	from 30 to 120 ± 0.3	from 120 to 400 ± 0.5	PCB V FIX
Scale:	Drawn:	Checked:	Date:	Material:	Process:
1:1	M.S.	R.N.	04/09/2023		
Dimension in mm	Description:		Weight:	Cod. Mold:	
	KIT CONTENITORE RAILBOX MULTILEVEL PLUG&FIX 45 MM KIT ENCLOSURE RAILBOX MULTILEVEL PLUG&FIX 45 MM		gr	--	
Description:			Rev.:		
KIT CONTENITORE RAILBOX MULTILEVEL PLUG&FIX 45 MM KIT ENCLOSURE RAILBOX MULTILEVEL PLUG&FIX 45 MM			00 A1		
Drawing n°:			Rev.:		
3_110_00020			00 A1		

NO COMPONENTS AREA

