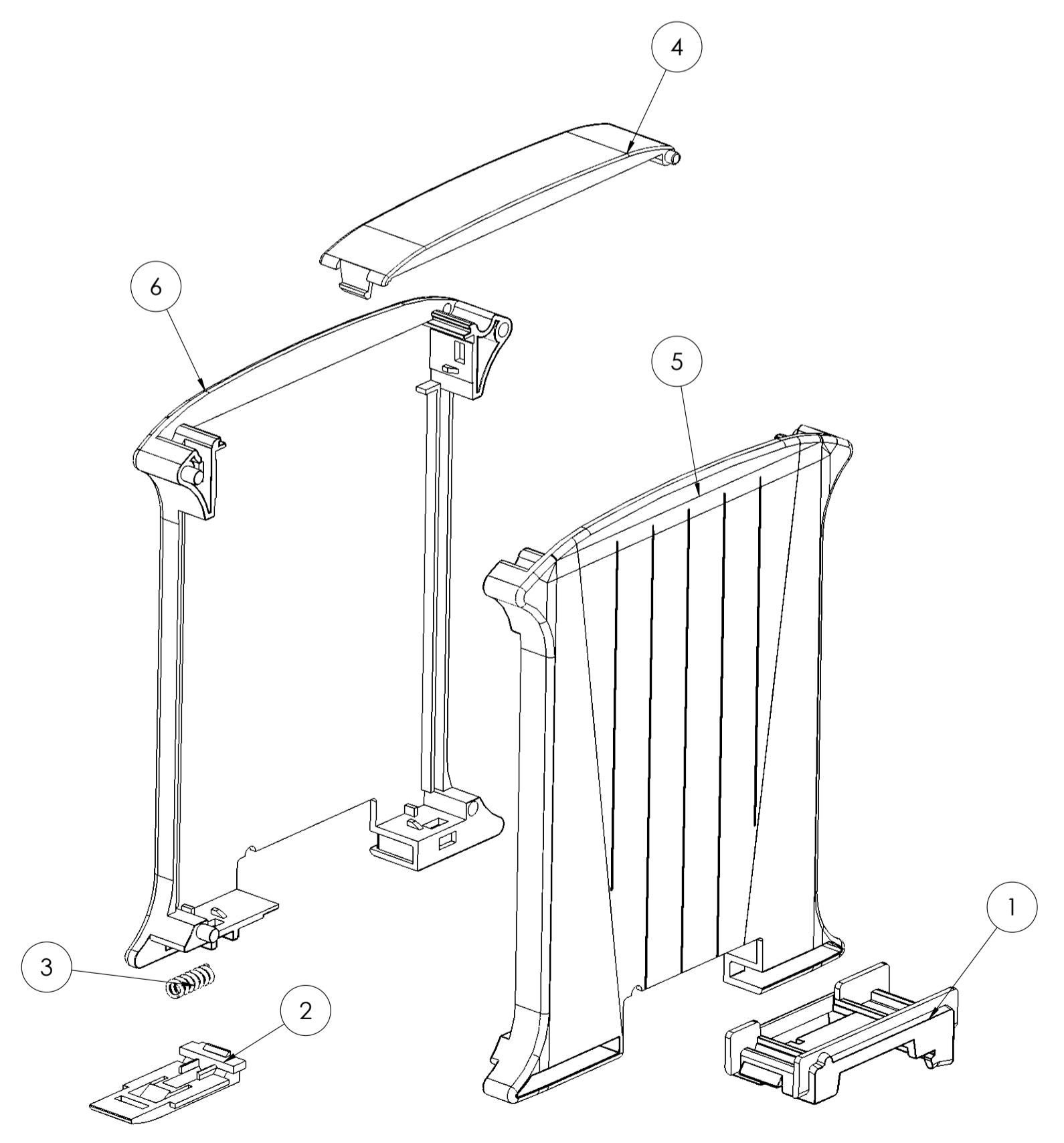
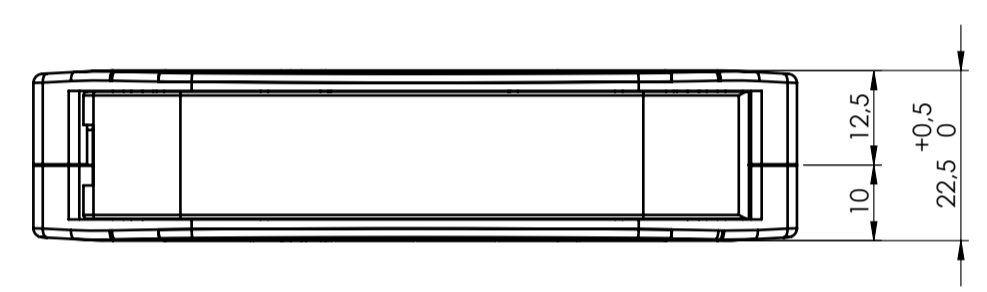
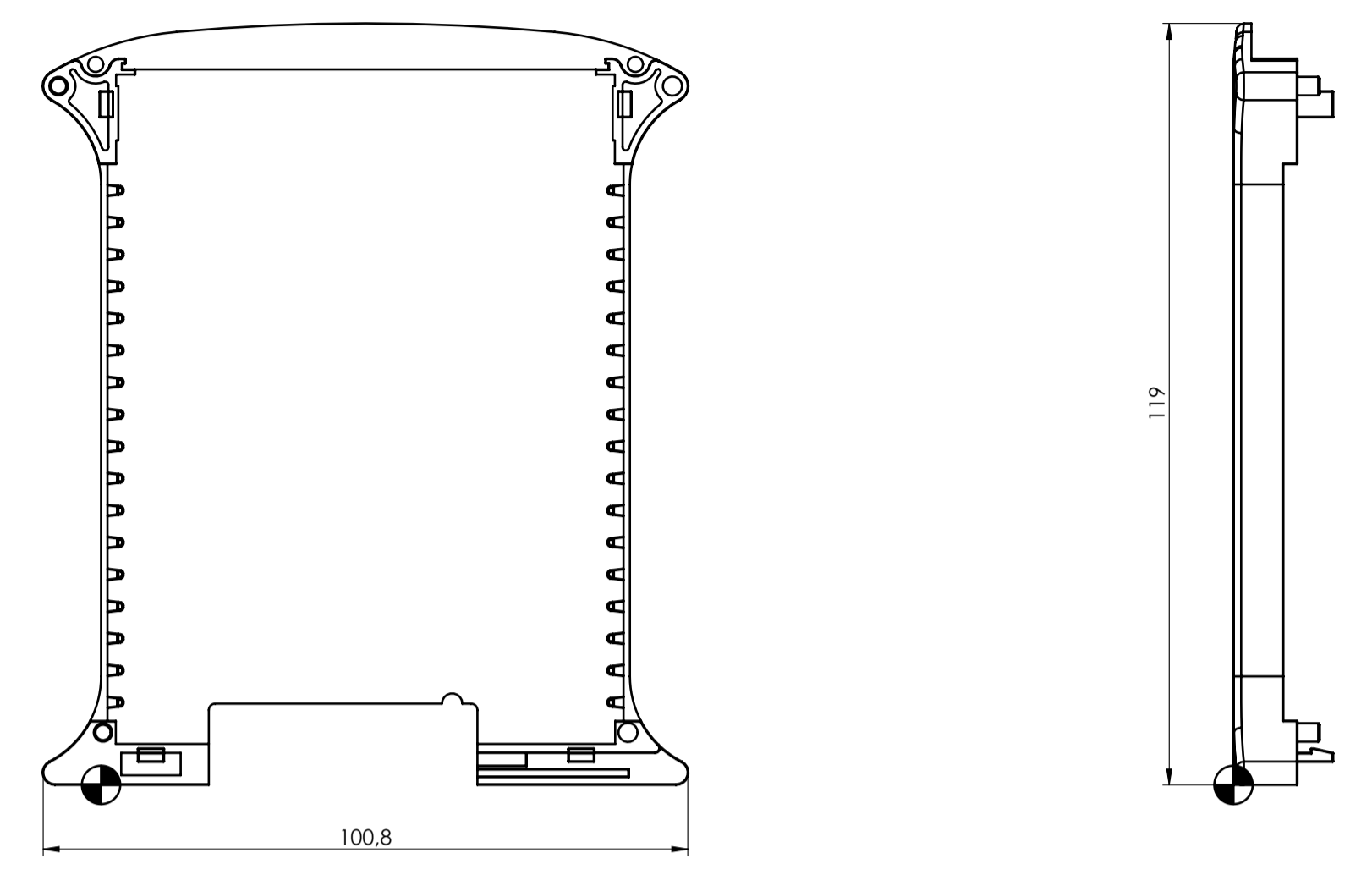


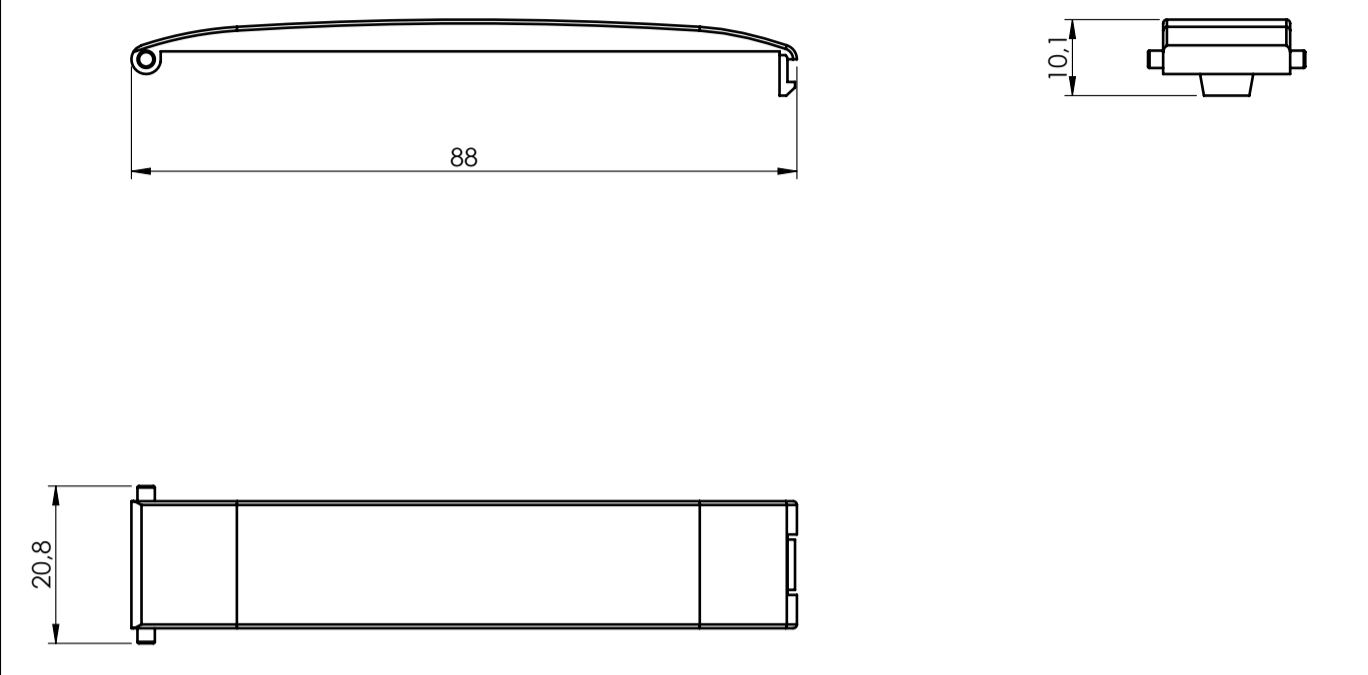
SECTION B-B



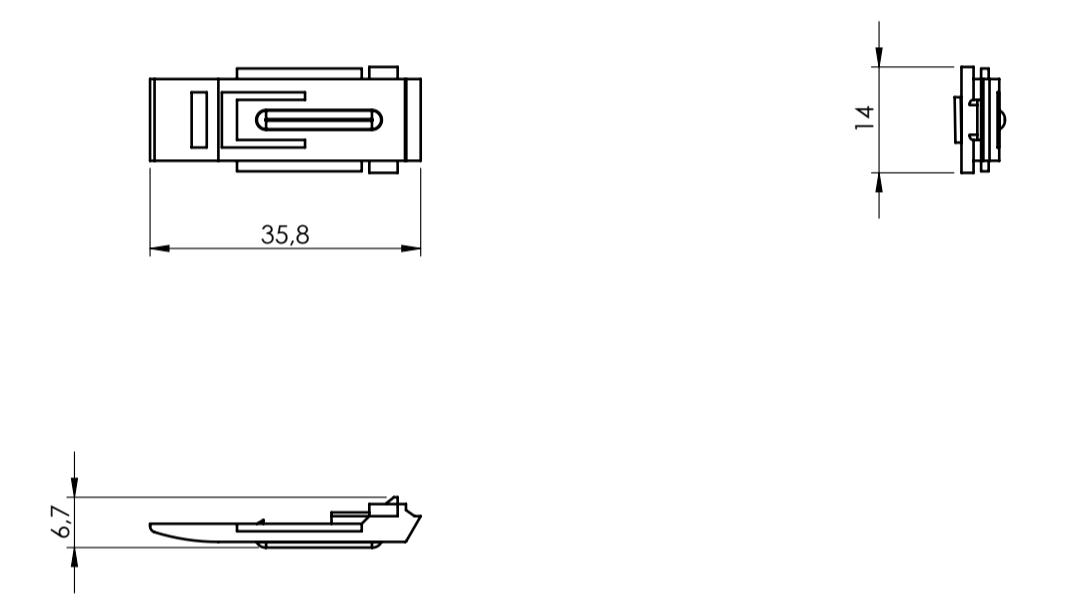
COVER RAILBOX



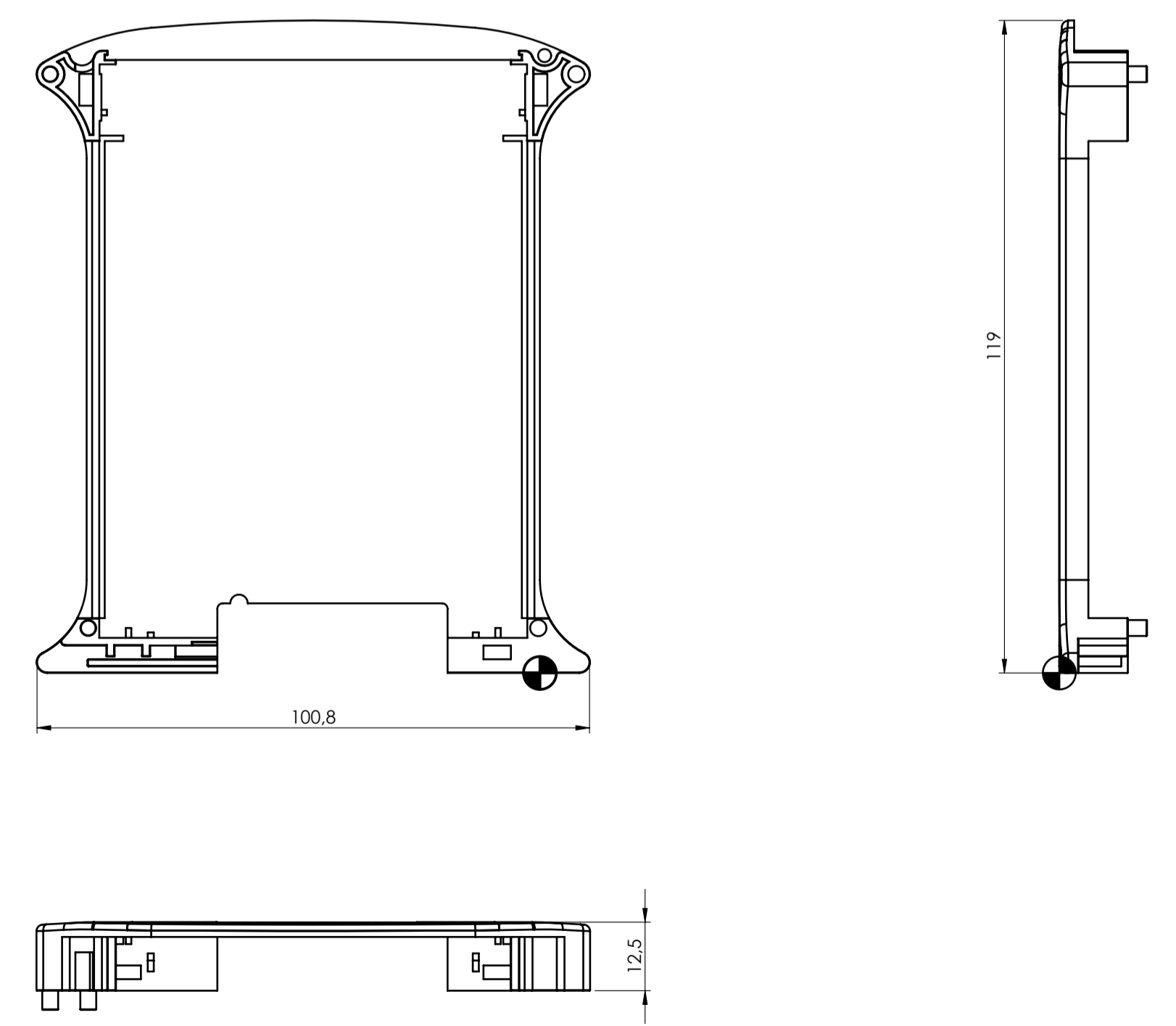
HINGED PANEL



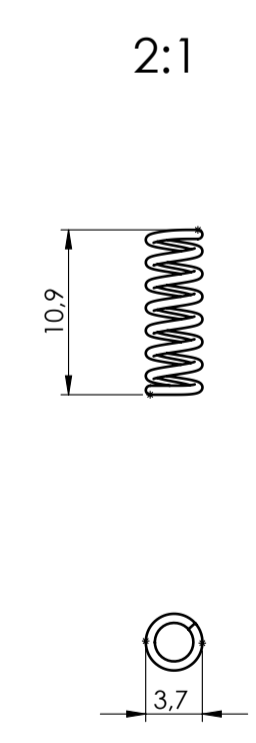
HOOK



BASE RAILBOX



SPRING



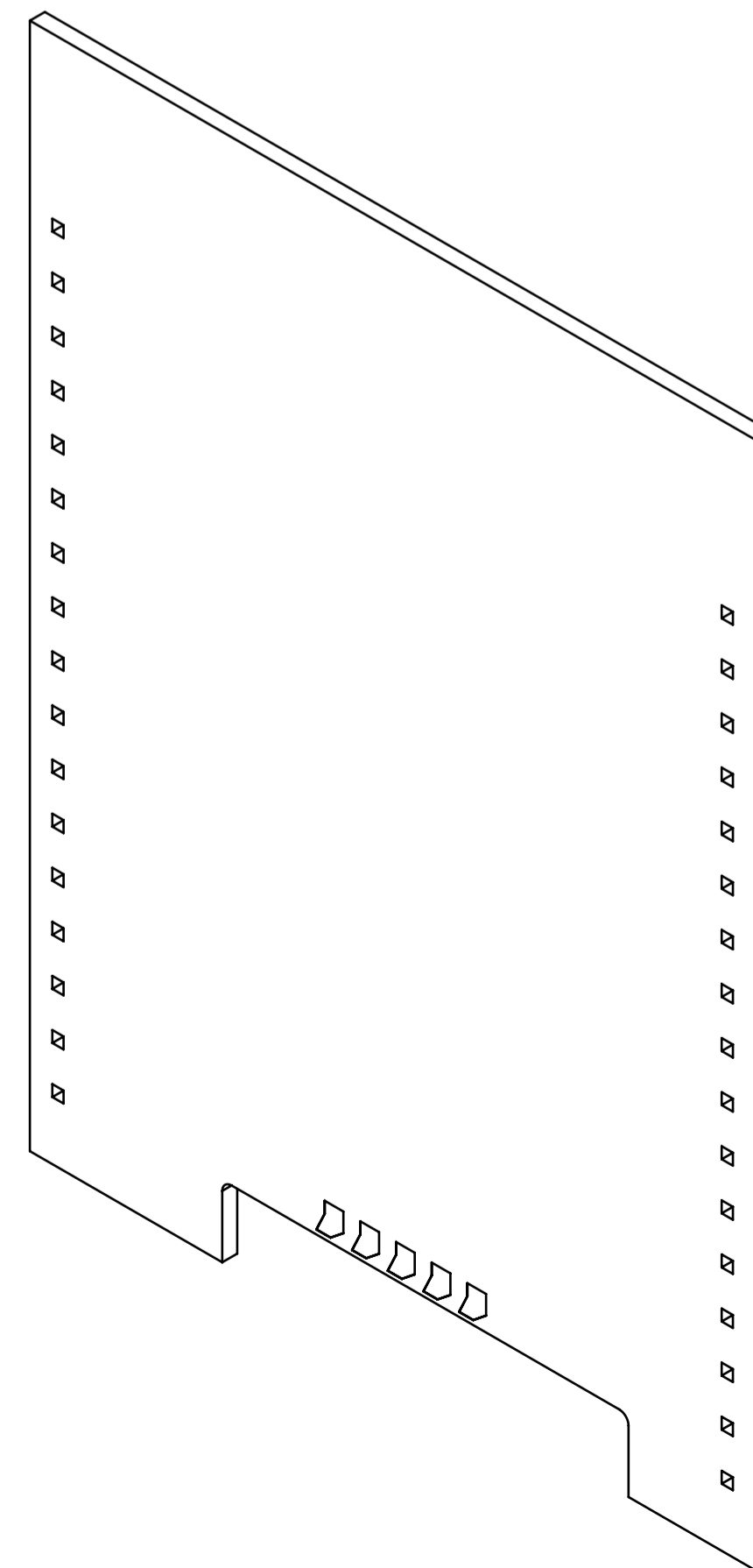
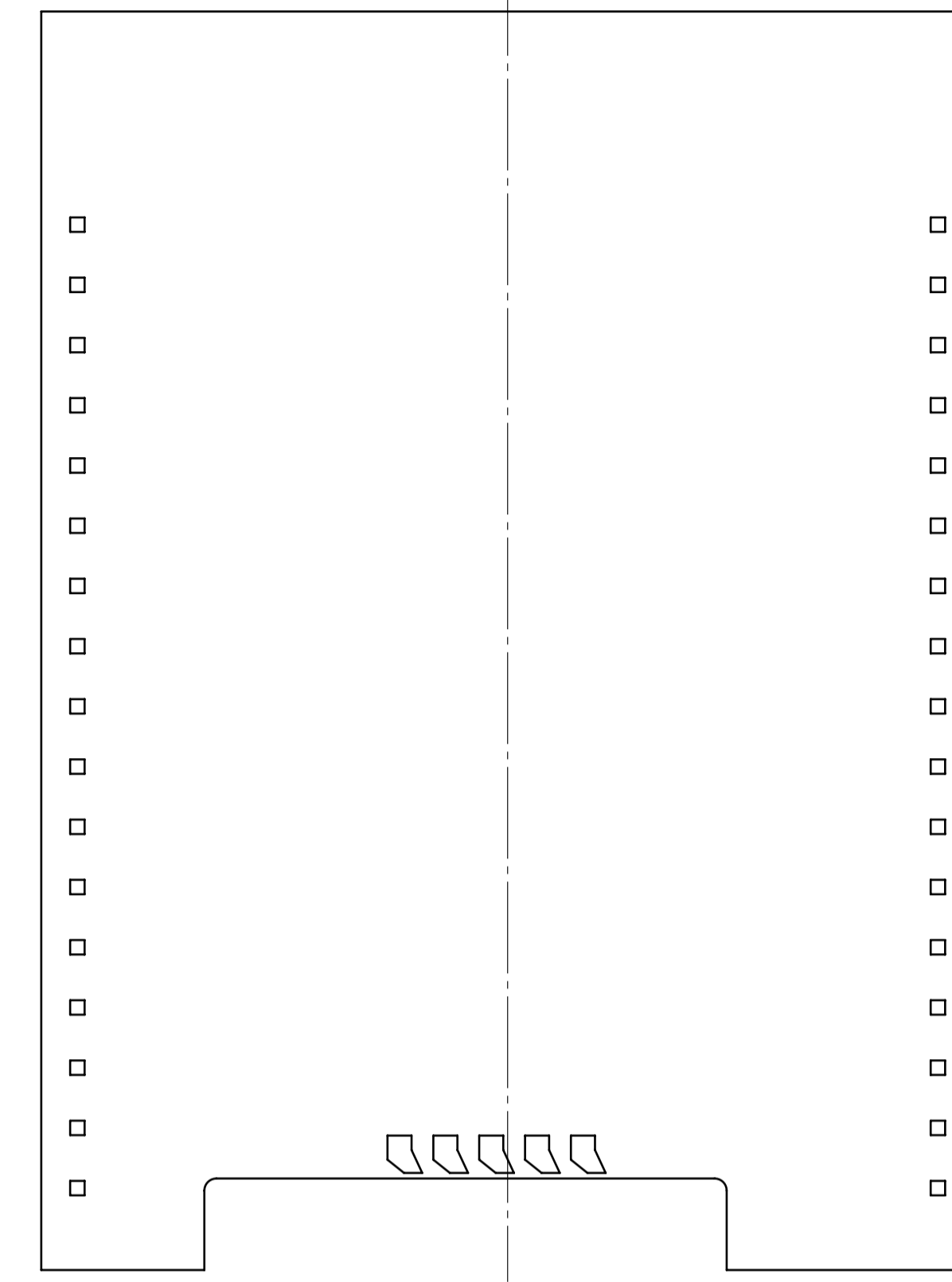
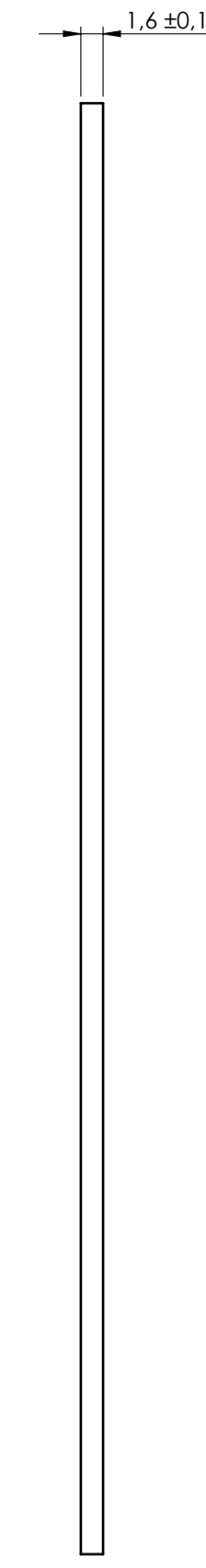
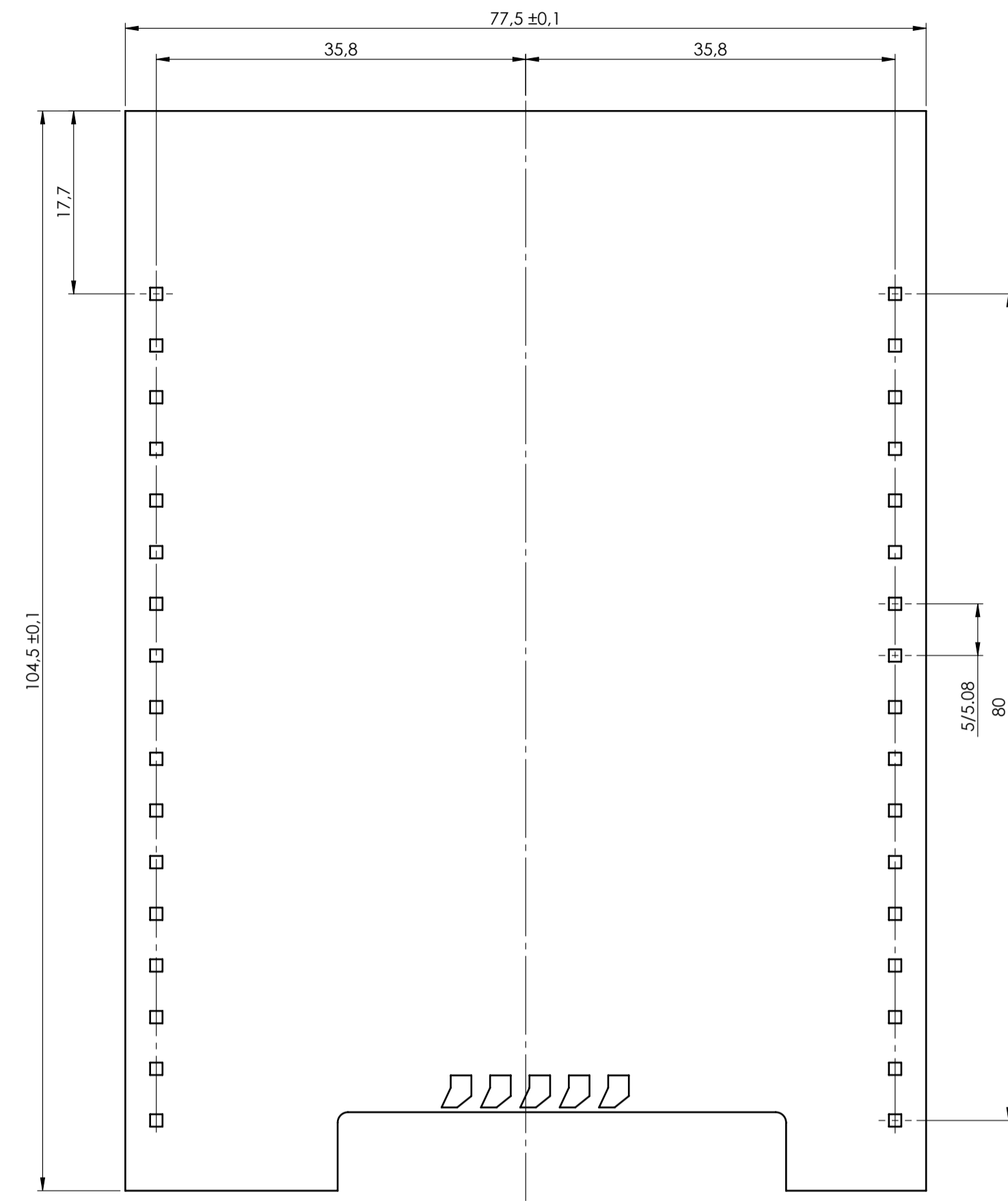
General information:  
 - Workpiece zero point for mechanical processing  
 - Minimum recommended radius for machining = R1.0 mm  
 - Mounting rail like EN 60715: TH 35-15  
 - Recommended PCB outline on [www.italtronic.com](http://www.italtronic.com)

RIF.	Q.TY	DRAWING	DESCRIPTION
1	1	2_110_00015	ACCESSORY BUS 22.5 MM
2	1	2_110_00010	HOOK RAILBOX FOR CONNECTION BUS
3	1	2_110_00011	SPRING FOR HOOK RAILBOX
4	1	2_110_00072	FRONT HINGED TRANSPARENT PANEL 17 MM
5	1	2_110_00107	COVER RAILBOX STANDARD 10 MM BUS
6	1	2_110_00006	BASE RAILBOX STANDARD 12.5 MM BUS

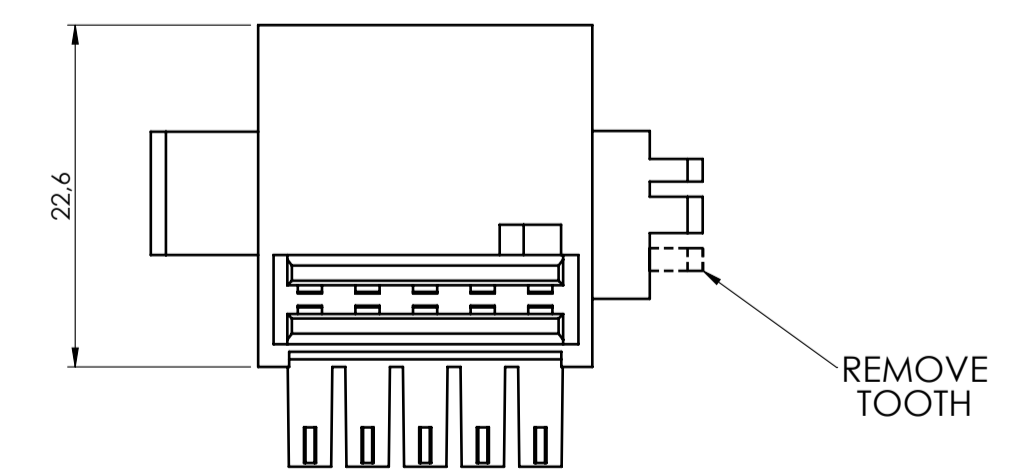
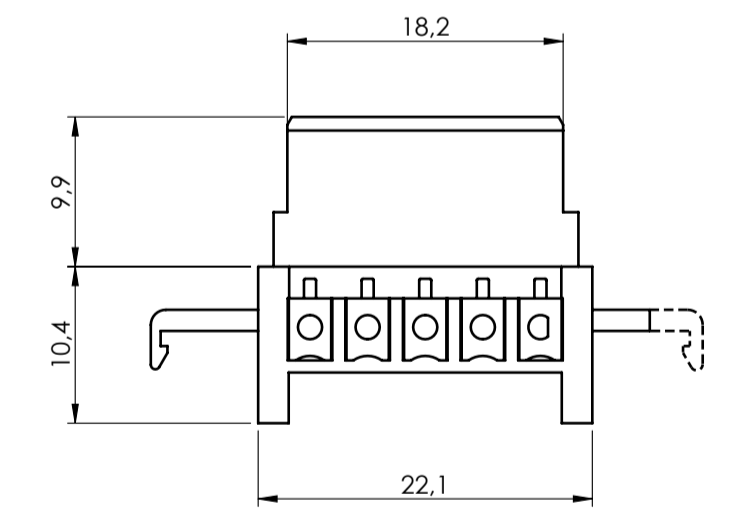
Dimension in mm	Scale	Drawn:	Checked:	Date:	Material:	Process:
from 0.5 to 3 ± 0.1	1:1	M.S.	R.N.	27/10/2023		
from 3 to 6 ± 0.1						
from 6 to 30 ± 0.2						
from 30 to 120 ± 0.3						
from 120 to 400 ± 0.5						

**italtronic**  
 enclosures for electronics  
 www.italtronic.com

Description:  
 KIT CONTENITORE RAILBOX VERTICALE BUS 22.5MM VERDE  
 KIT ENCLOSURE RAILBOX VERTICALE BUS 22.5MM GREEN  
 Drawing ref: **3\_110\_00004**  
 Rev: **00** A1



CONNECTOR TBUS COMPATIBILE



Italtronic s.r.l. does not provide the TBUS connector but only the predisposition of the enclosure.

General Tolerance IIR EN 22768/1 Media [m]				Sheet	
from 0.5 to 3 ± 0.1	from 3 to 6 ± 0.1	from 6 to 30 ± 0.2	from 30 to 120 ± 0.3	from 120 to 400 ± 0.5	PCB
Scale:	Drawn:	Checked:	Date:	Material:	Process:
1:1	M.S.	R.N.	27/10/2023		
Dimension in mm	Replaces the:		Derived from:	Weight:	Cod. Mold:
	R-03449-01		--	gr	--
Description:					
KIT CONTENITORE RAILBOX VERTICAL BUS 22.5MM VERDE					
KIT ENCLOSURE RAILBOX VERTICAL BUS 22.5MM GREEN					
Drawing n°:				Rev.:	
3_110_00004				00 A1	

NO COMPONENTS AREA

