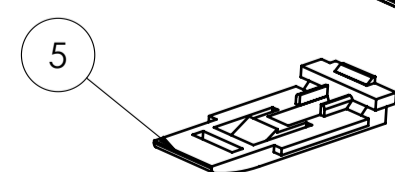
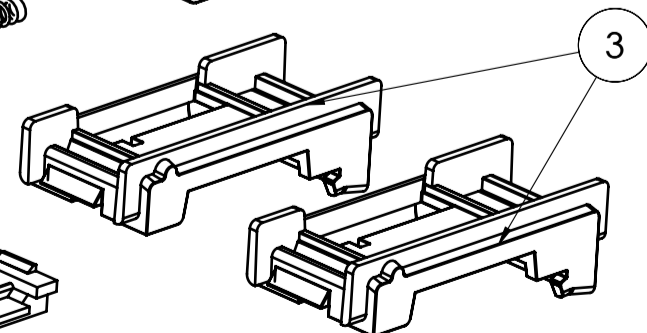
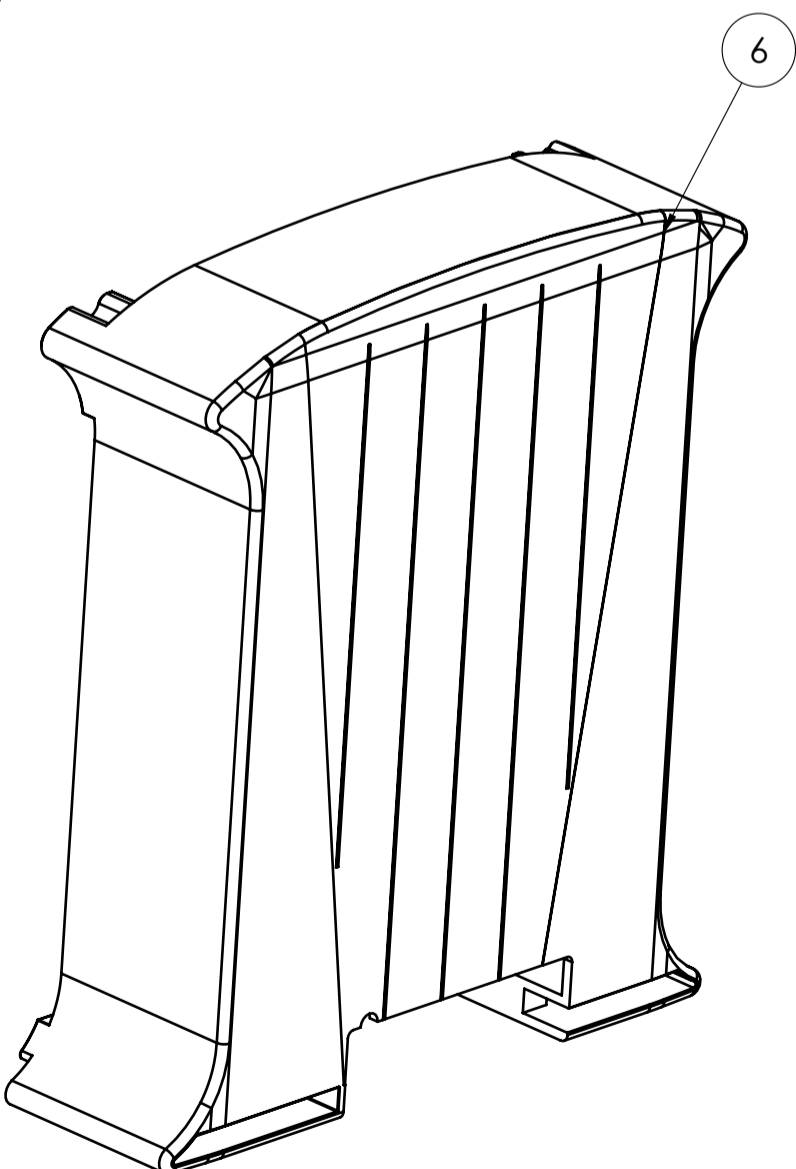
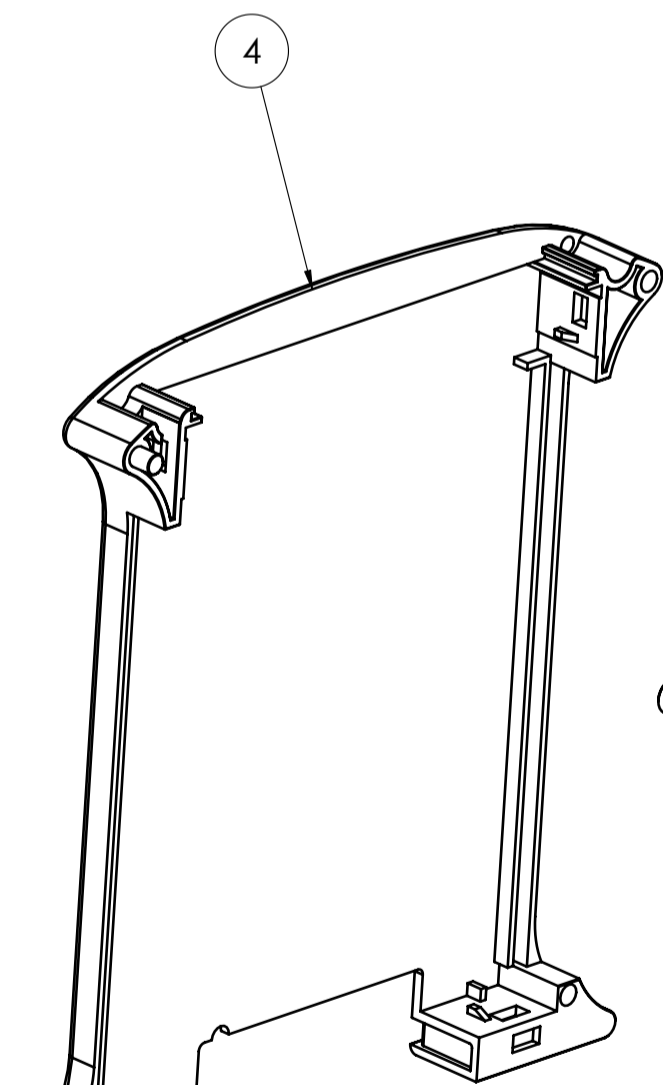
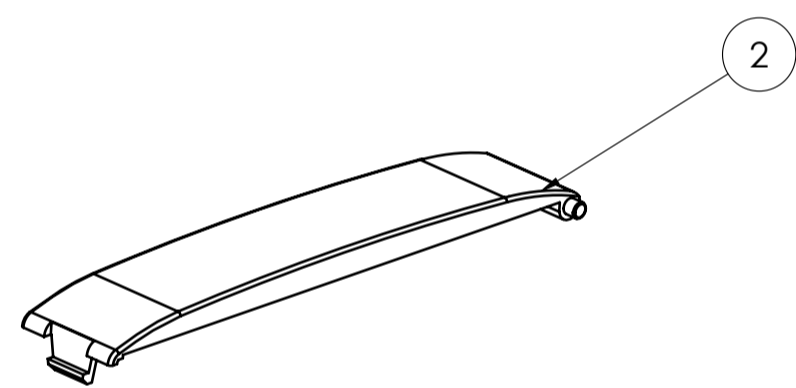
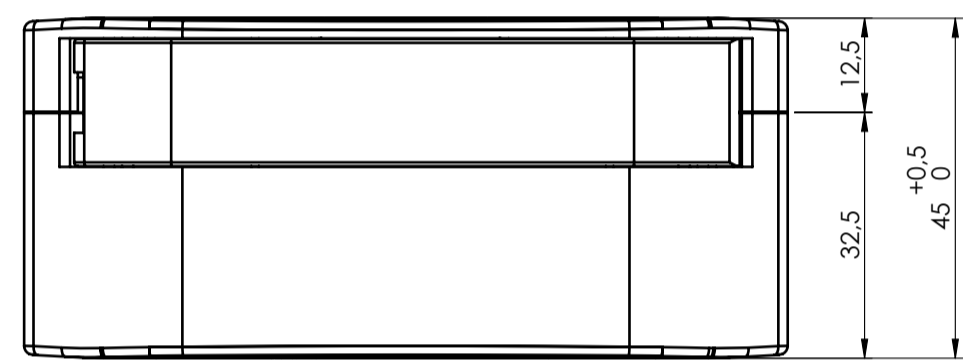
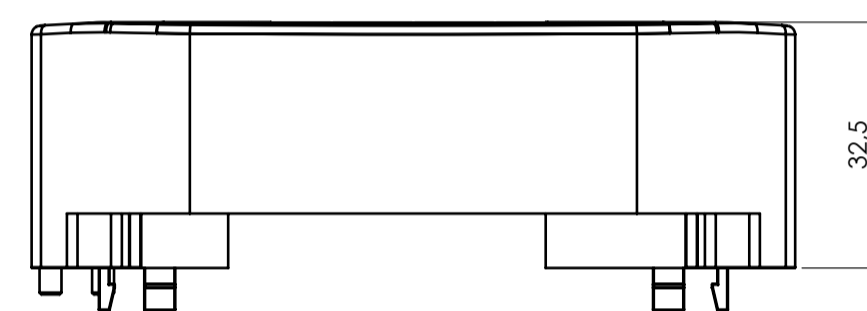
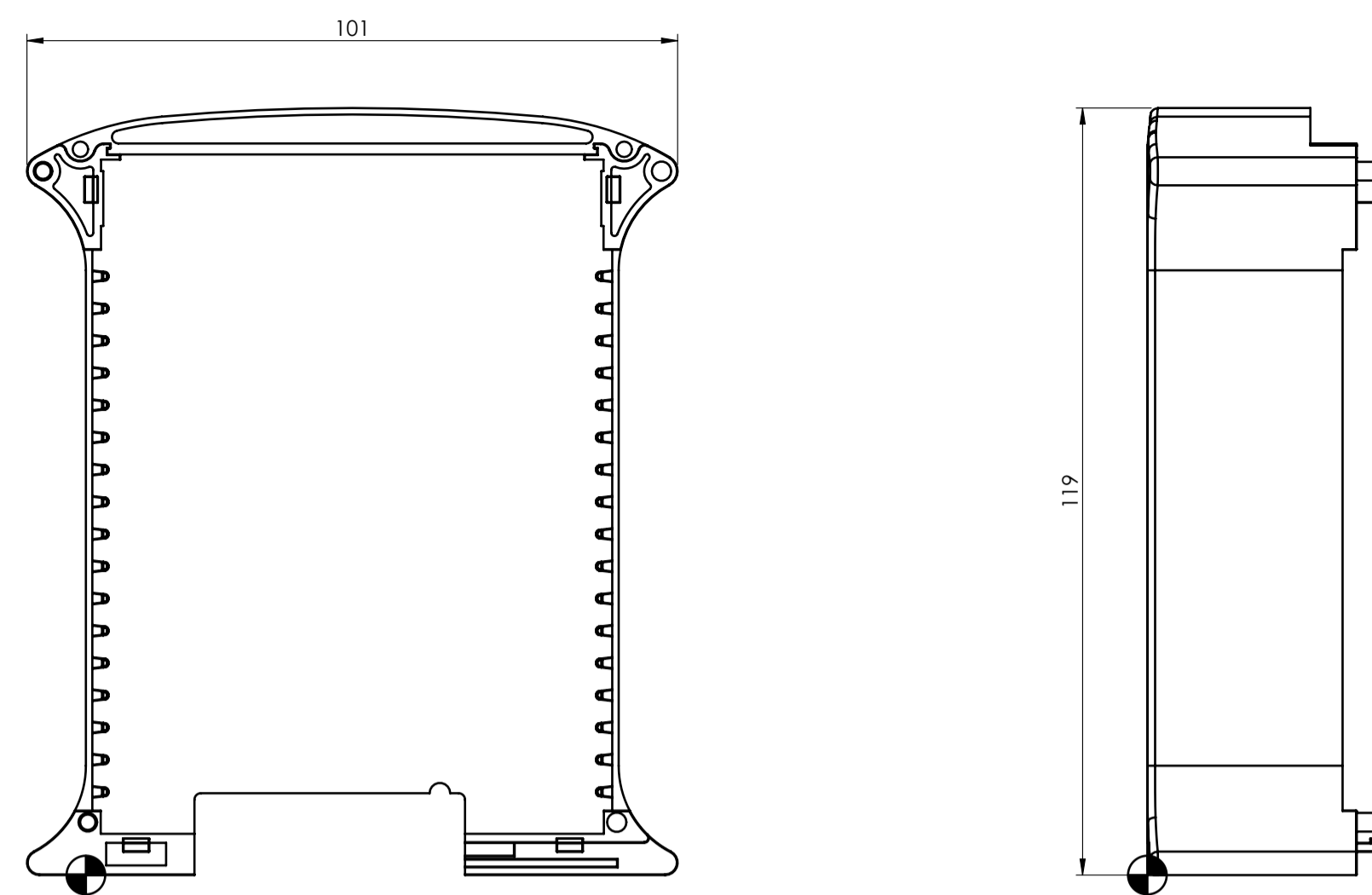


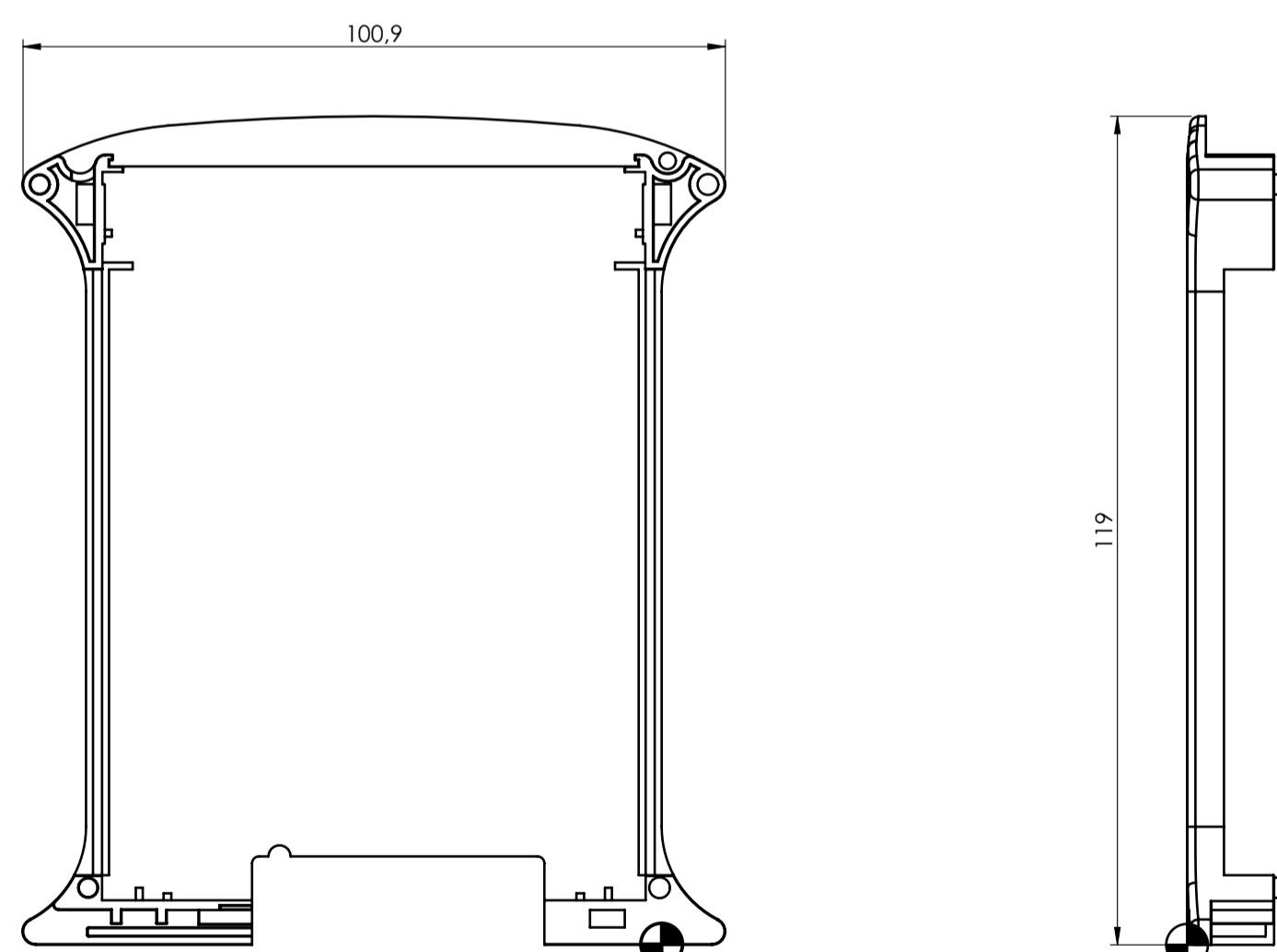
SECTION A-A



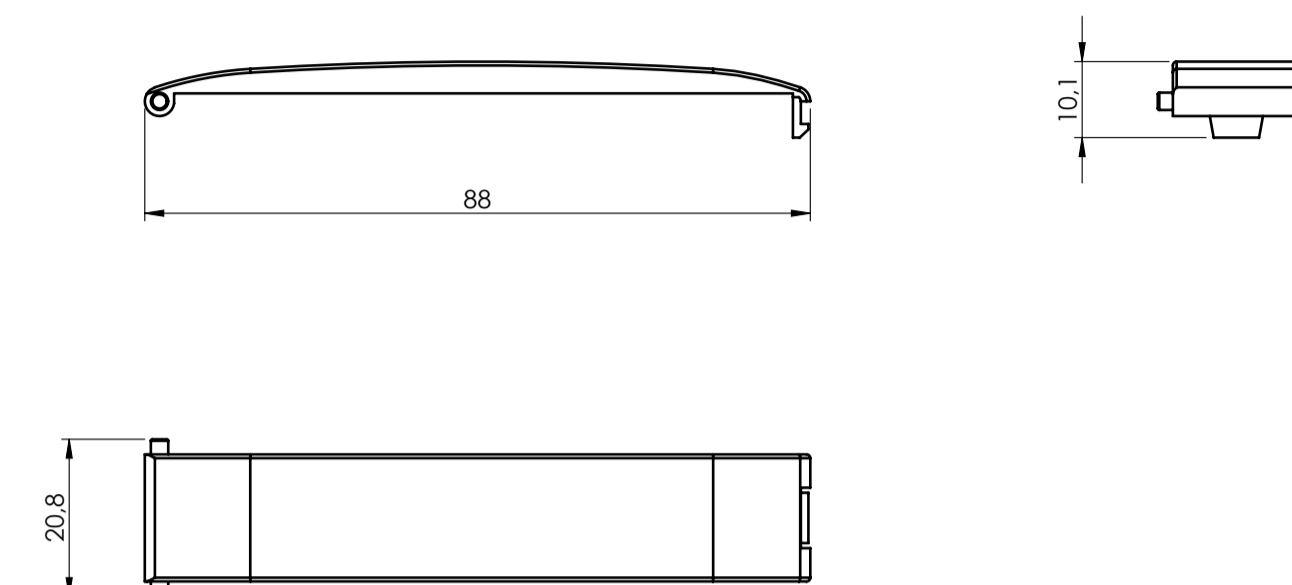
COVER RAILBOX



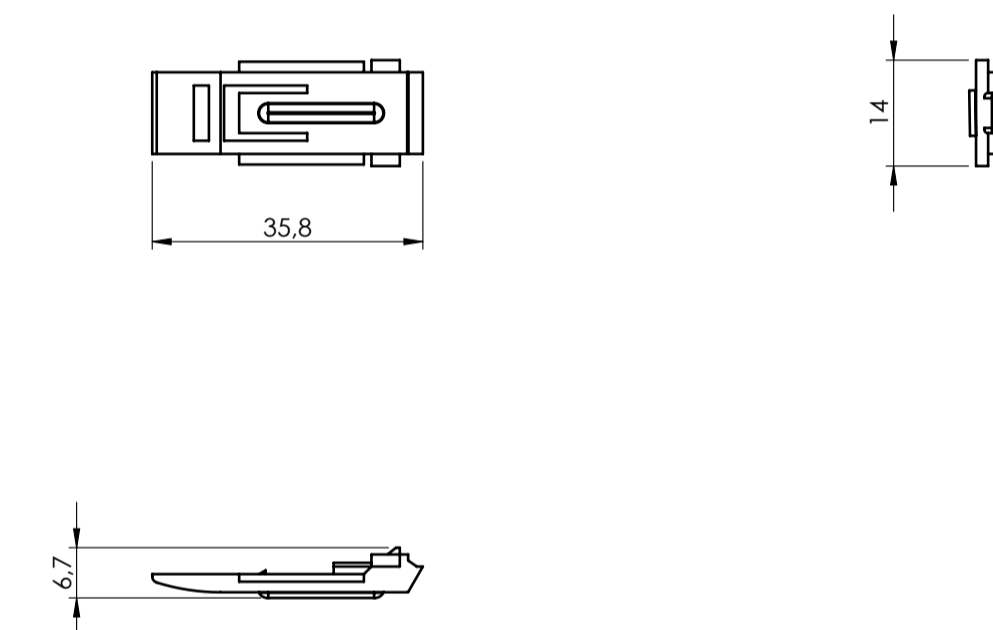
BASE RAILBOX



HINGED PANEL

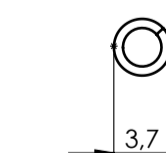
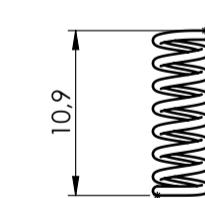


HOOK



SPRING

2:1

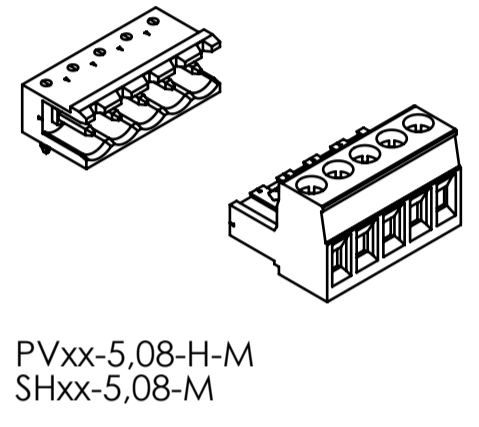
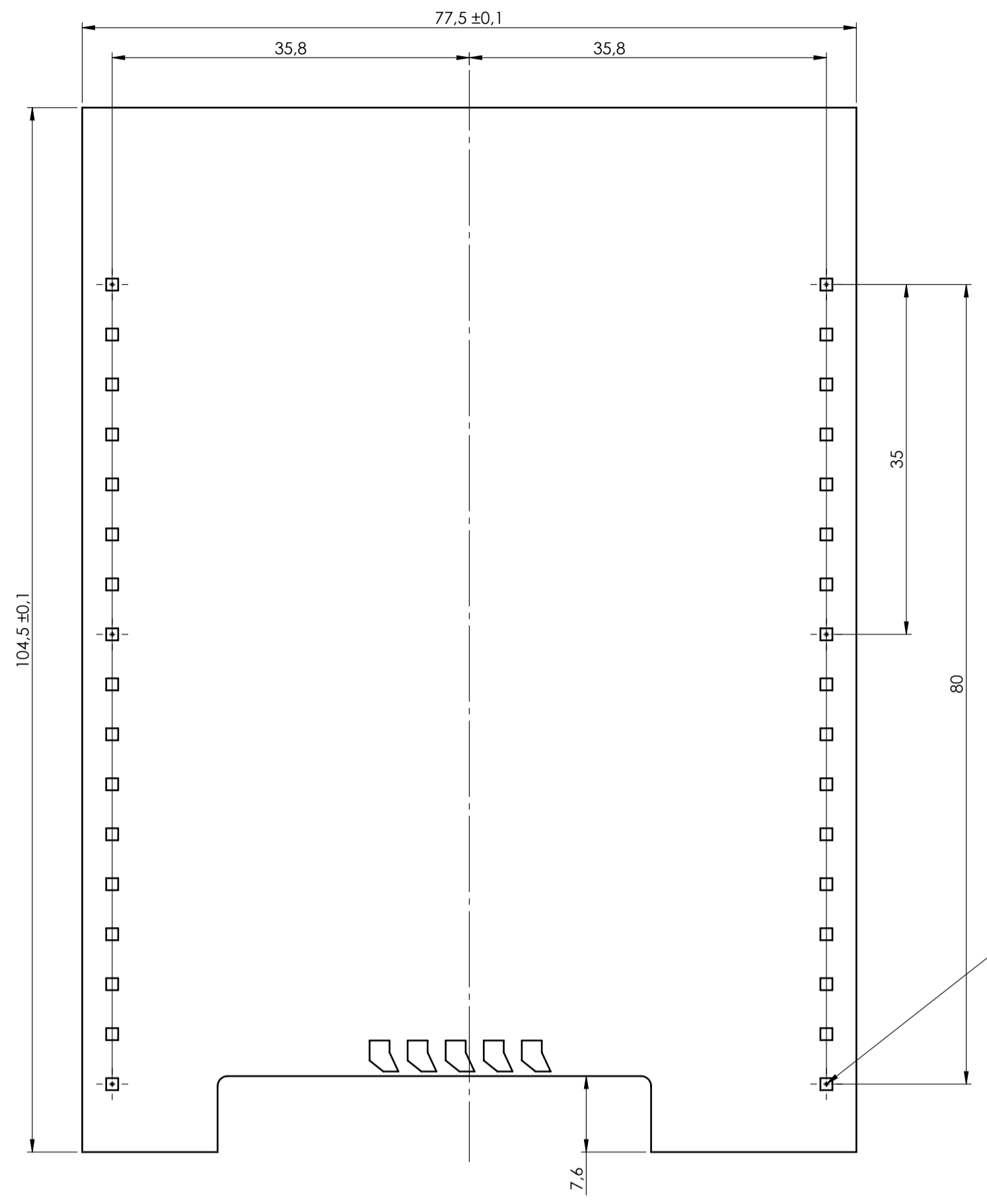


General information:
 - Workpiece zero point for mechanical processing
 - Minimum recommended radius for machining = R1.0 mm
 - Mounting rail like EN 60715; TH 35-15
 - Recommended PCB outline on www.italtronic.com

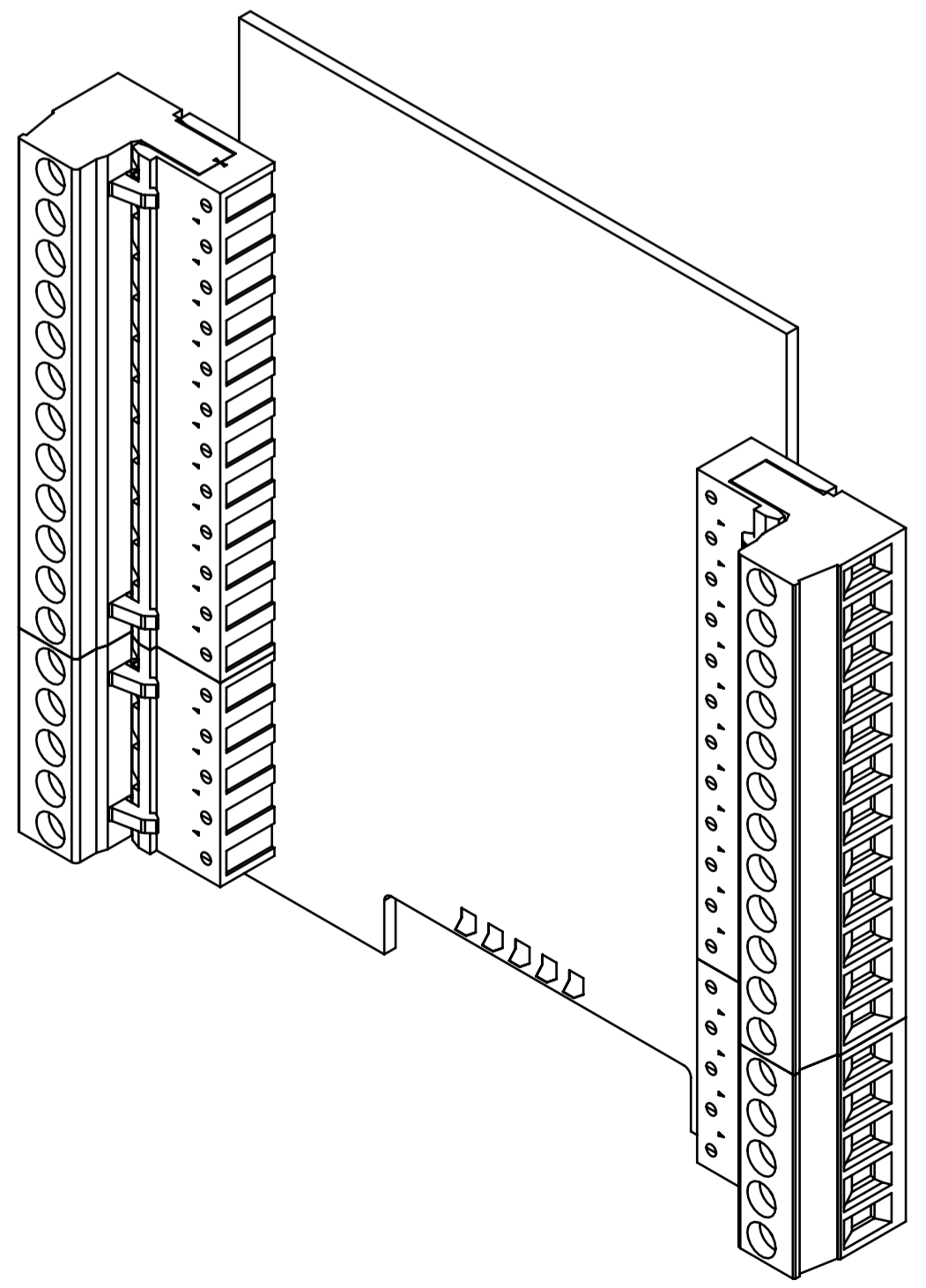
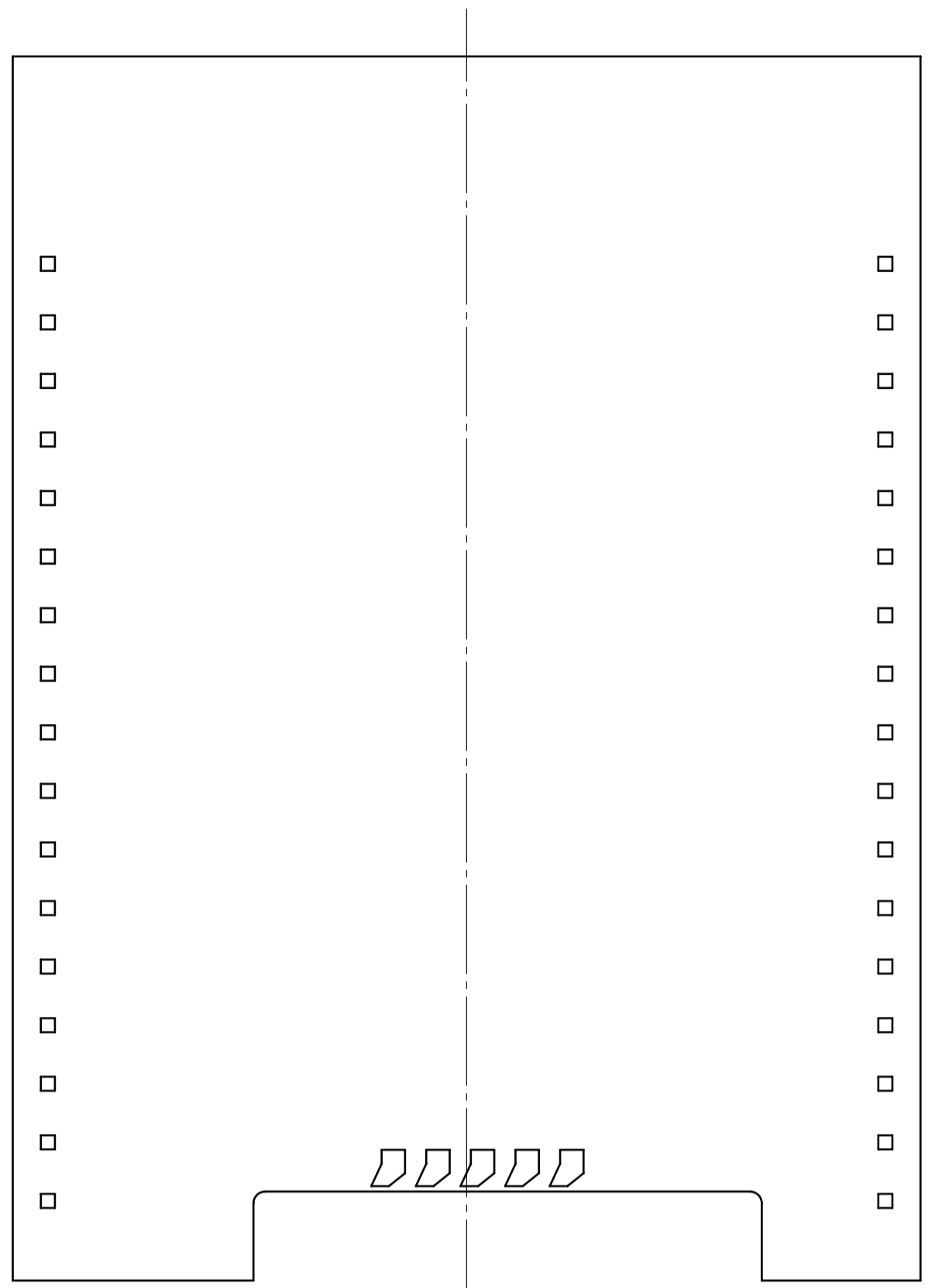
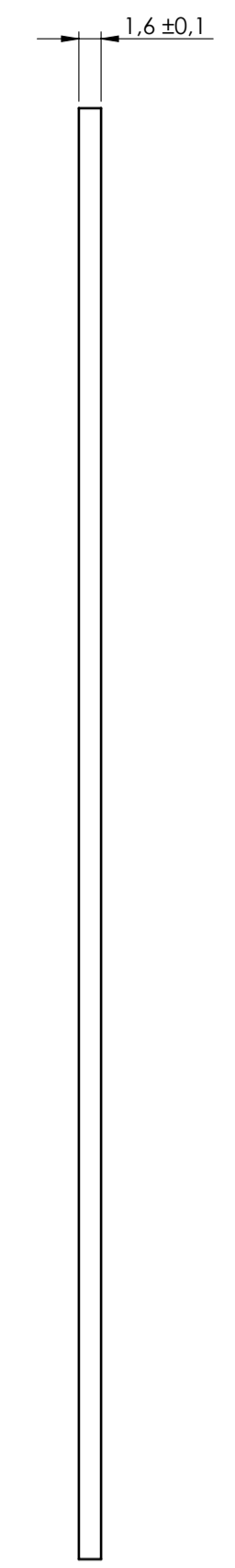
REF.	Q.TY	DRAWING	DESCRIPTION
1	1	2_110_00011	SPRING FOR HOOK RAILBOX
2	1	2_110_00072	FRONT HINGED TRANSPARENT PANEL 17 MM
3	2	2_110_00015	ACCESSORIO BUS 22.5 MM OPEN
4	1	2_110_00006	BASE RAILBOX STANDARD 12.5 MM BUS
5	1	2_110_00010	HOOK RAILBOX FOR CONNECTION BUS
6	1	2_110_00020	COVER RAILBOX STANDARD 32.5 MM BUS

Scale:	1:1	IM:	Drawn:	M.S.	Checked:	R.N.	Date:	08/01/2024	Material:	Process:
Dimension in mm	from 0.5 to 3	± 0.1	from 3 to 6	± 0.1	from 6 to 30	± 0.2	from 30 to 120	± 0.3	from 120 to 400	± 0.5

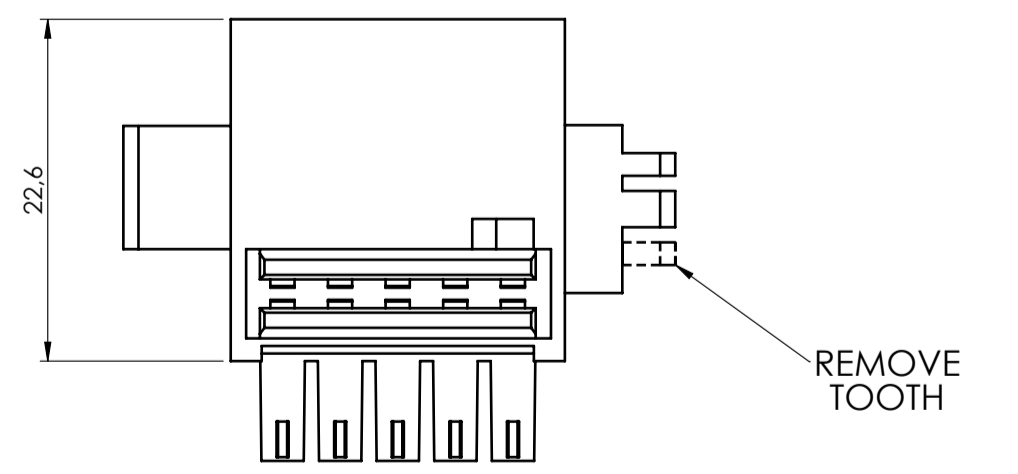
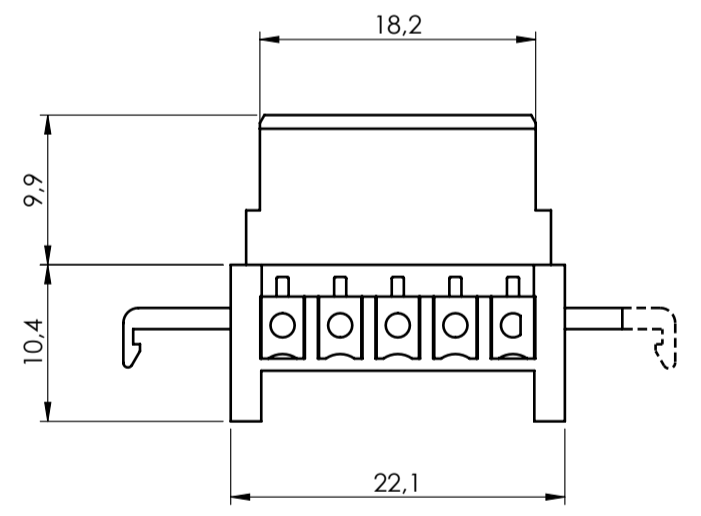
Dimension in mm	Description:	Weight:	Cod. Mold:
1	KIT RAILBOX STANDARD PLUG-IN VERTICAL 45 MM BUS	gr	--
2	KIT RAILBOX STANDARD PLUG-IN VERTICAL 45 MM BUS	gr	--



PVxx-5.08-H-M
SHxx-5.08-M



CONNECTOR TBUS COMPATIBLE



Italtronic s.r.l. does not provide the TBUS connector but only the predisposition of the enclosure.

General Tolerance IIR EN 22768/1 Media [m]				Sheet:	
from 0.5 to 3 ± 0.1	from 3 to 6 ± 0.1	from 6 to 30 ± 0.2	from 30 to 120 ± 0.3	from 120 to 400 ± 0.5	PCB
Scale: 1:1	Drawn: M.S.	Checked: R.N.	Date: 08/01/2024	Material:	Process:
Dimension in mm	Replaces the: R-03447-00	Derived from:	Weight: gr	Cod. Mold:	
Description:		Description:		Rev.: 00 A1	
Italtronic enclosures for electronics italtronic.com		KIT RAILBOX STANDARD PLUG-IN VERTICAL 45 MM BUS KIT RAILBOX STANDARD PLUG-IN VERTICAL 45 MM BUS 3_110_00006		NO COMPONENTS AREA	