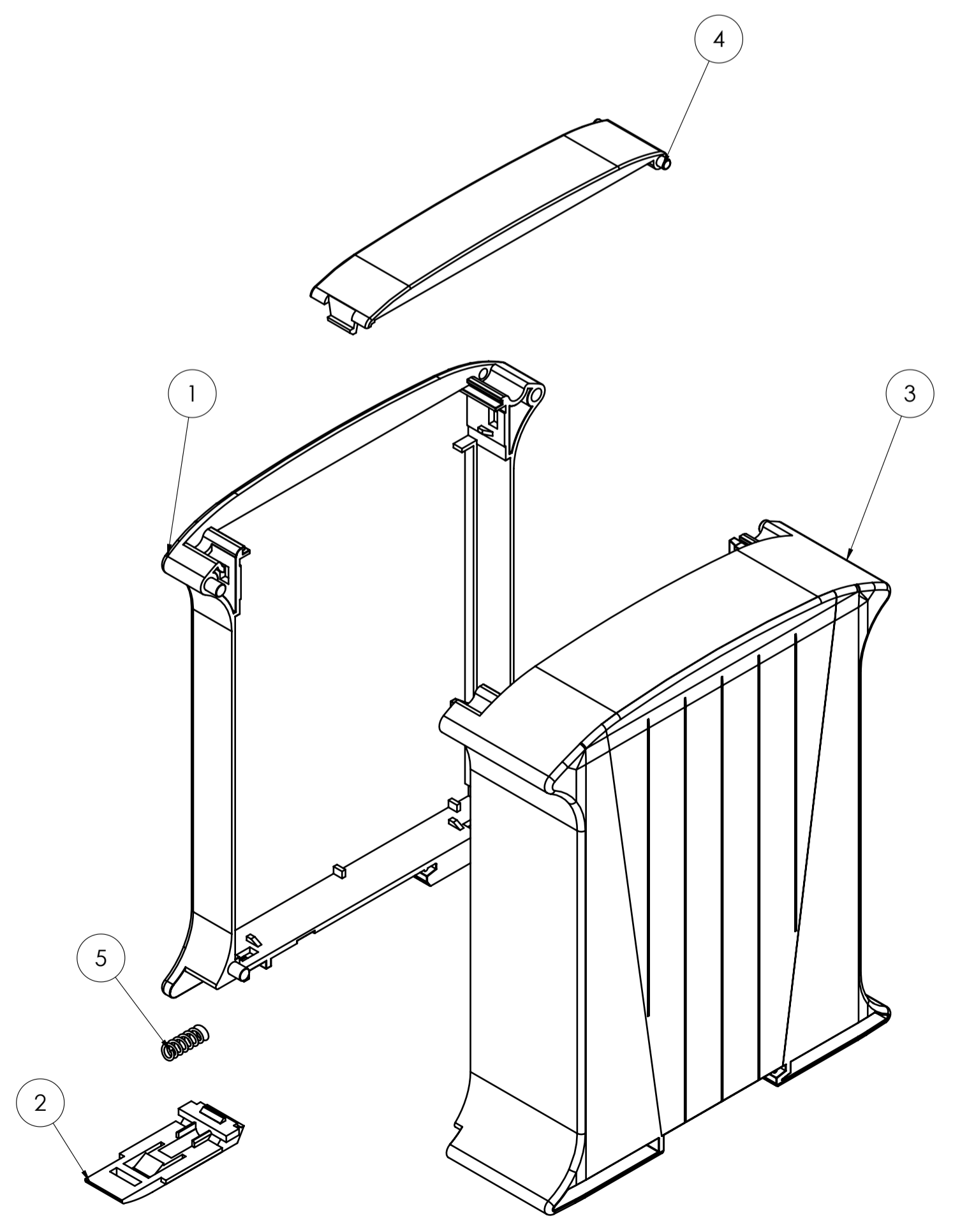
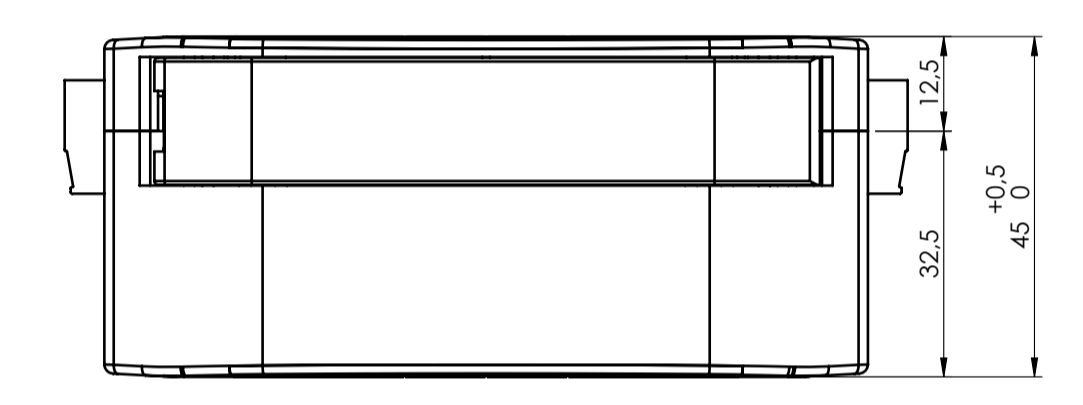
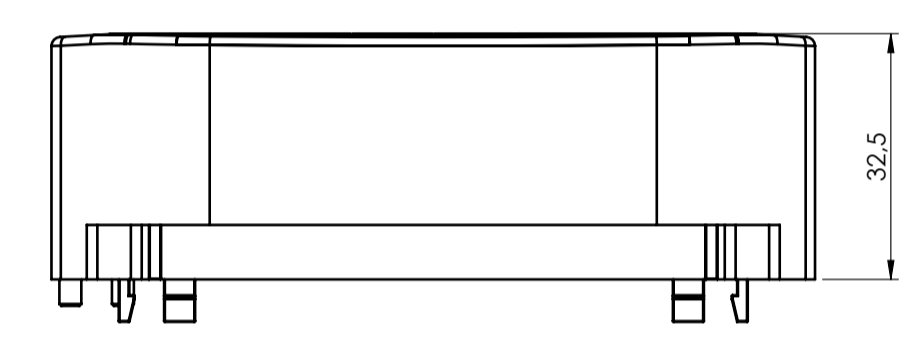
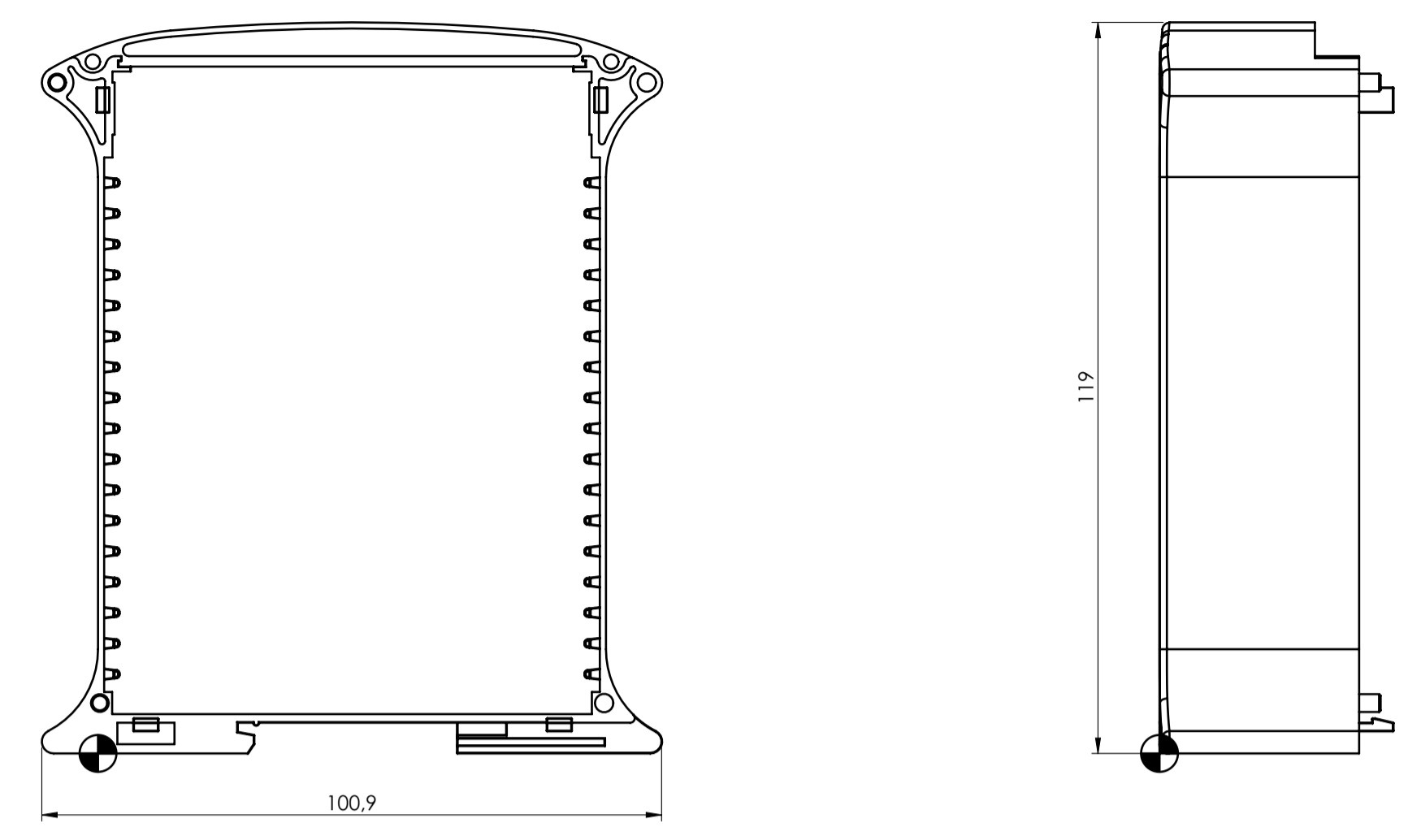


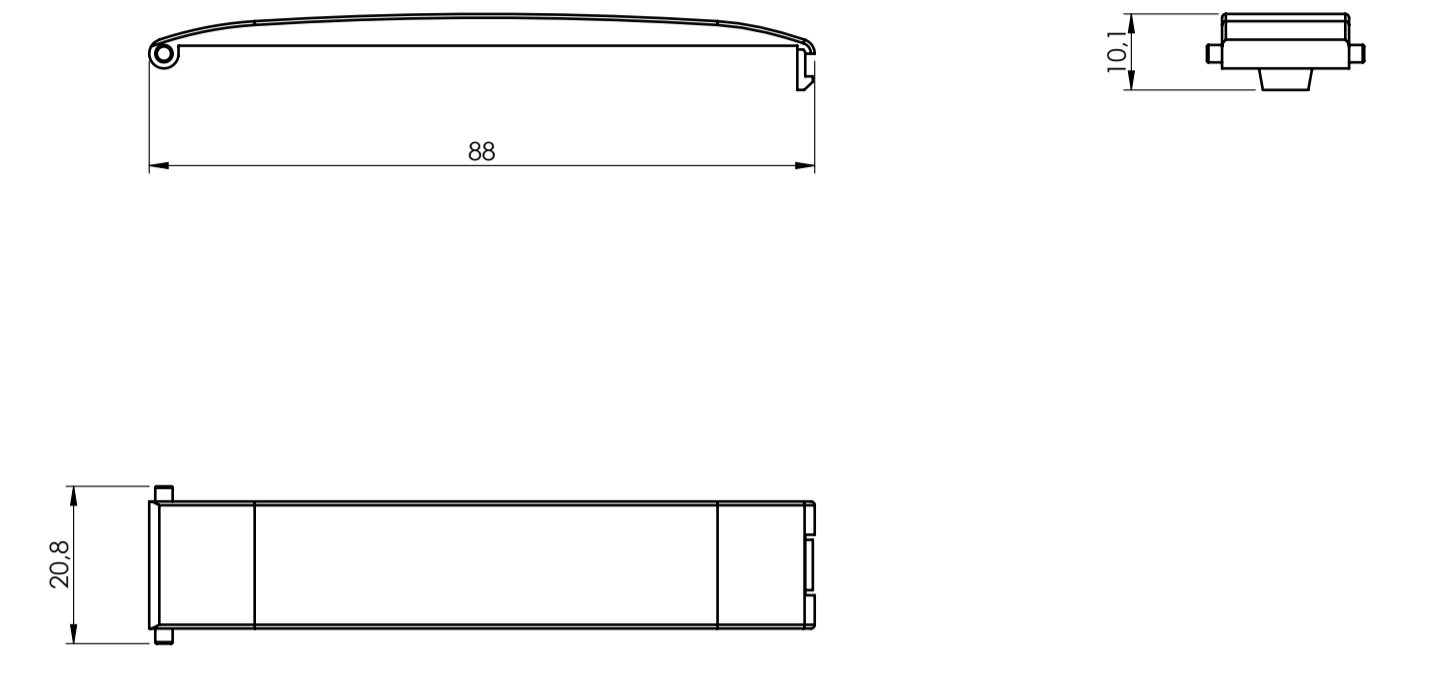
SECTION A-A



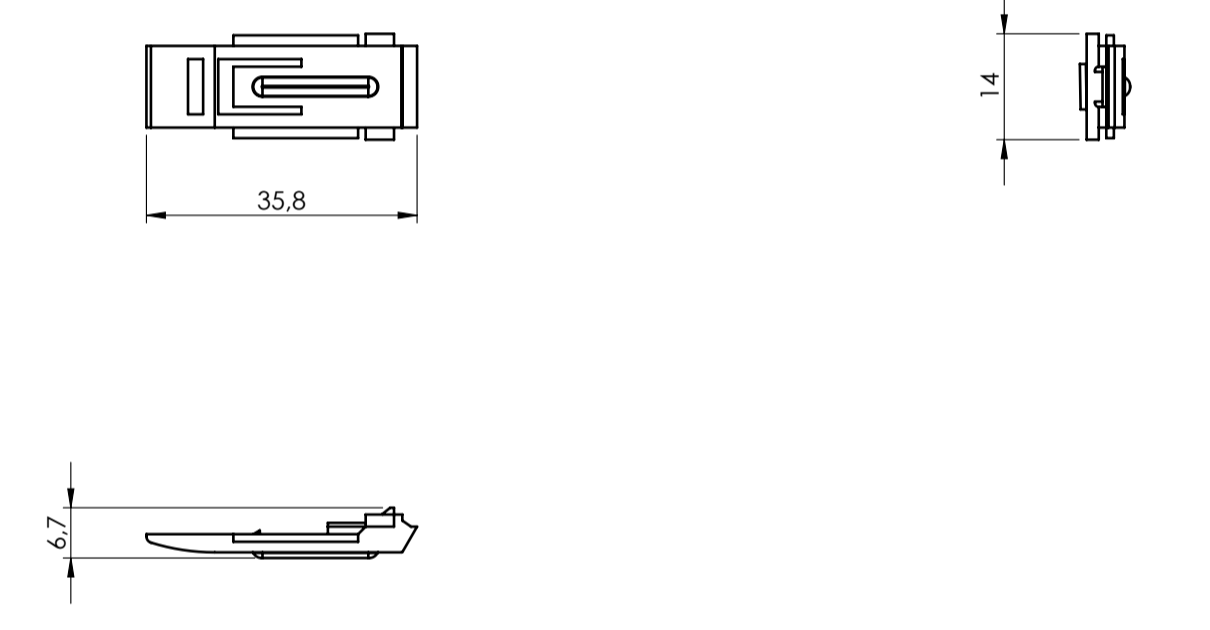
COVER RAILBOX



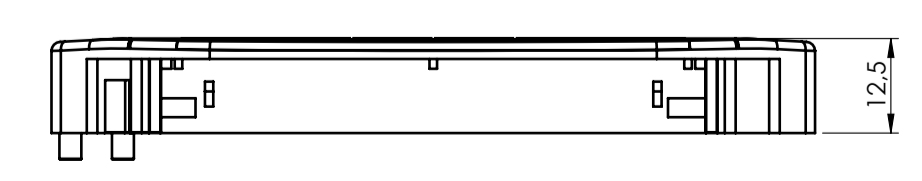
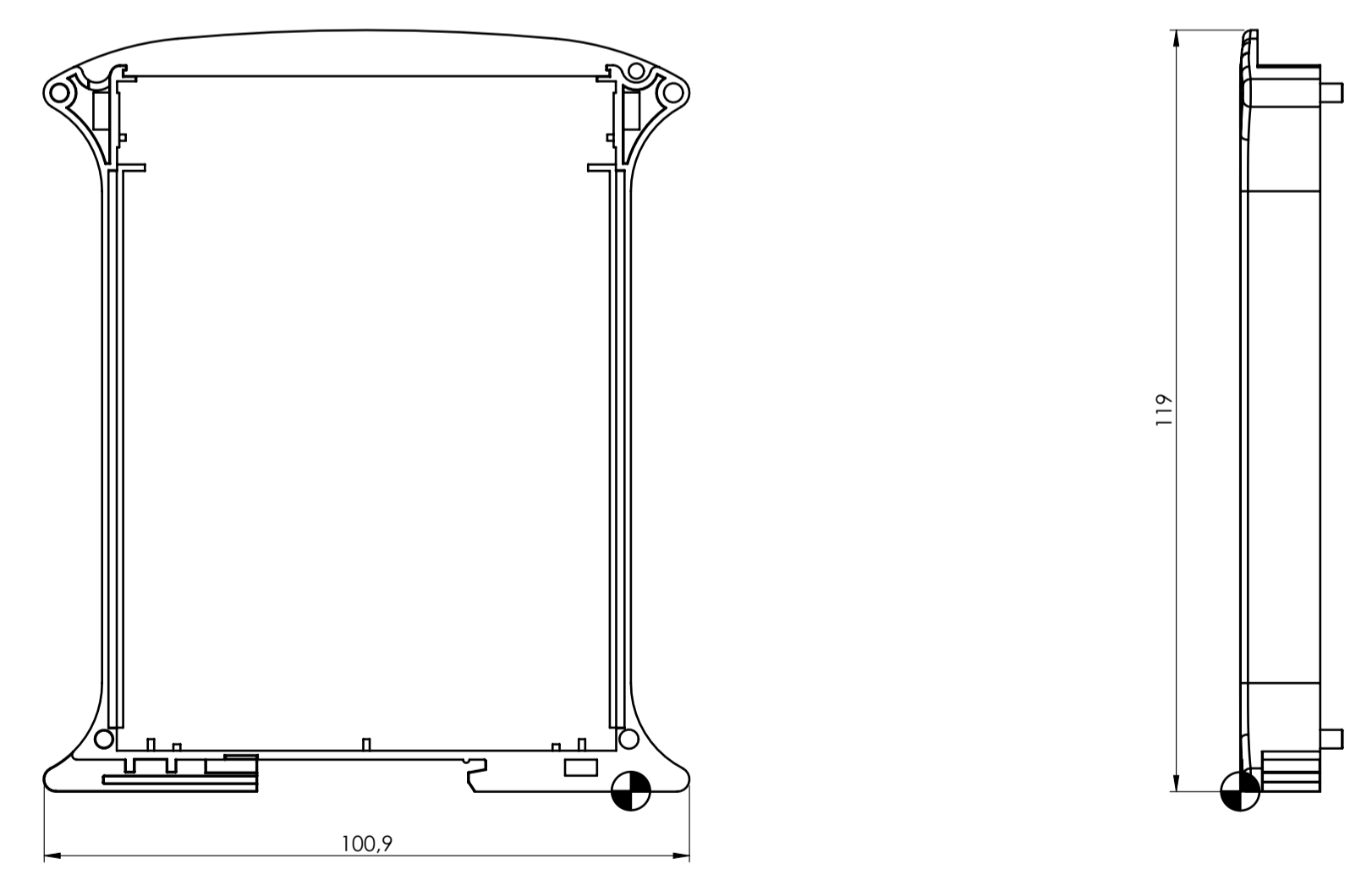
HINGED PANEL



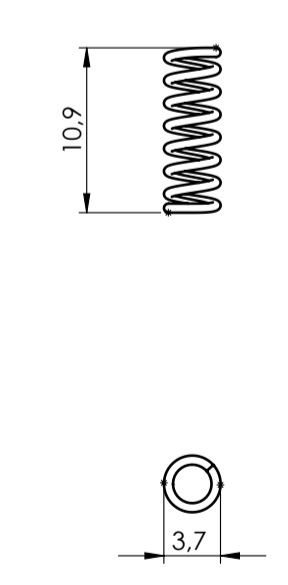
HOOK



BASE RAILBOX



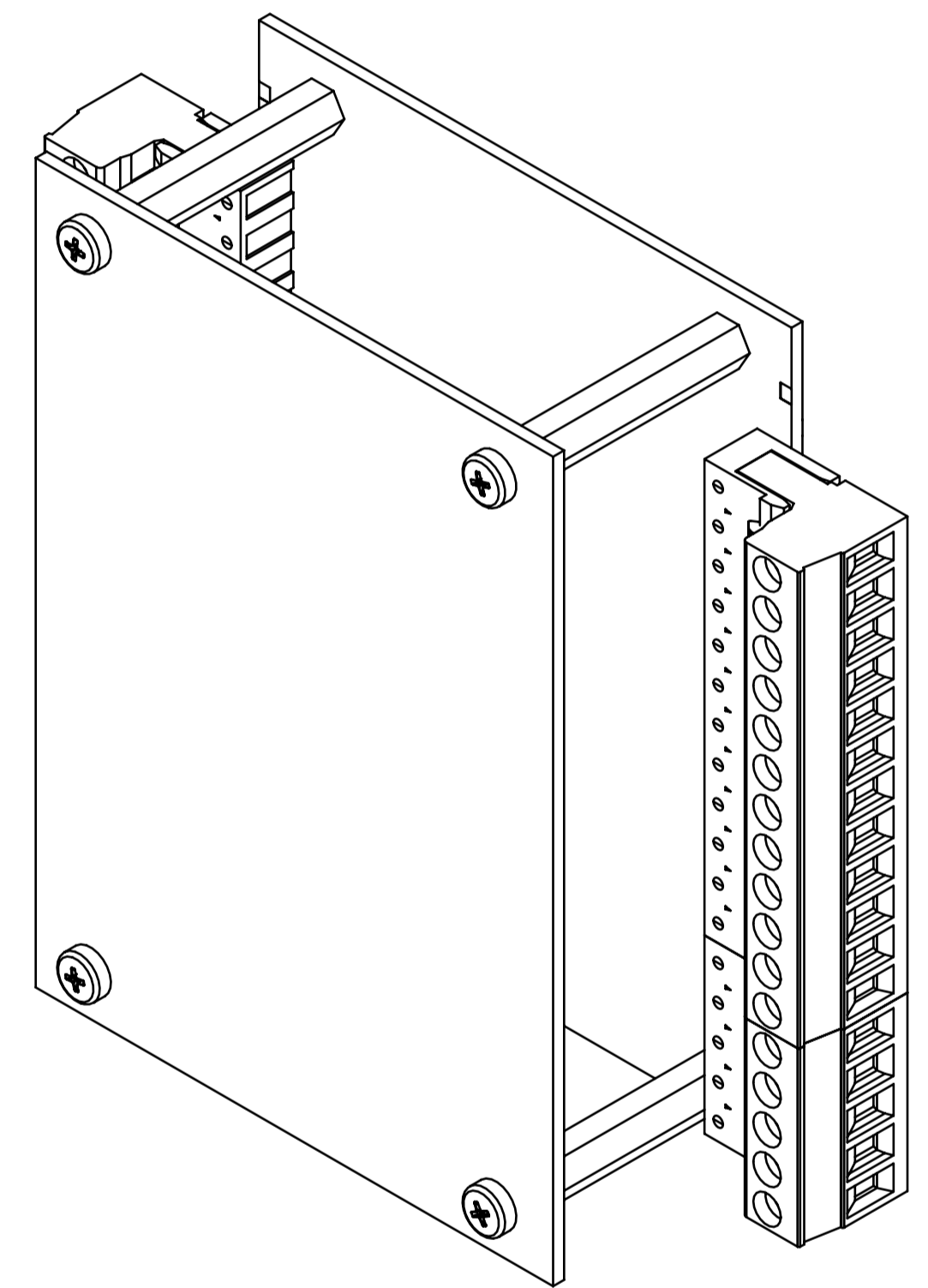
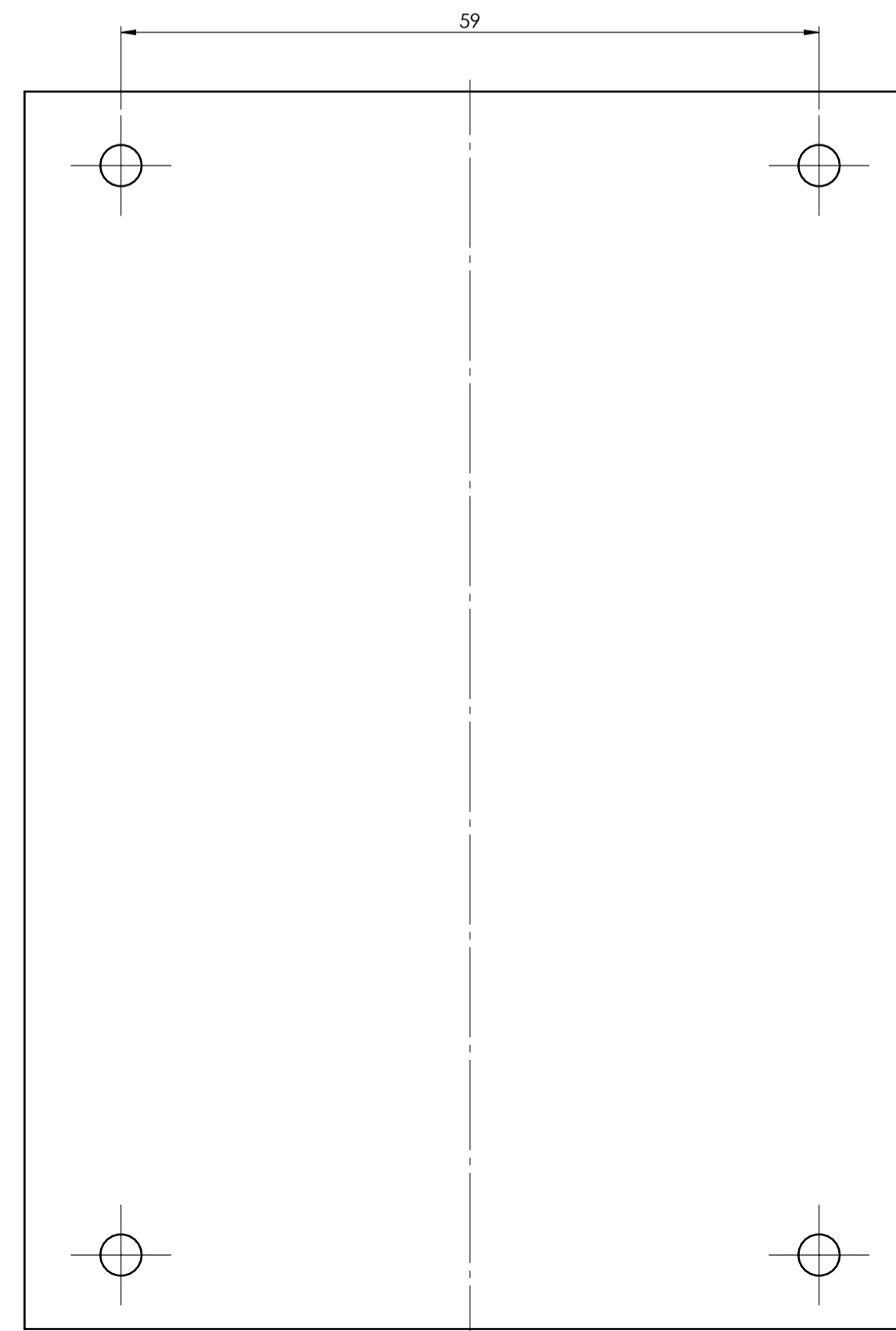
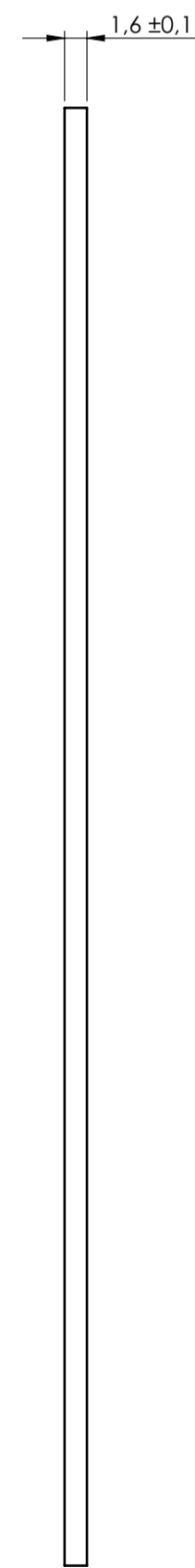
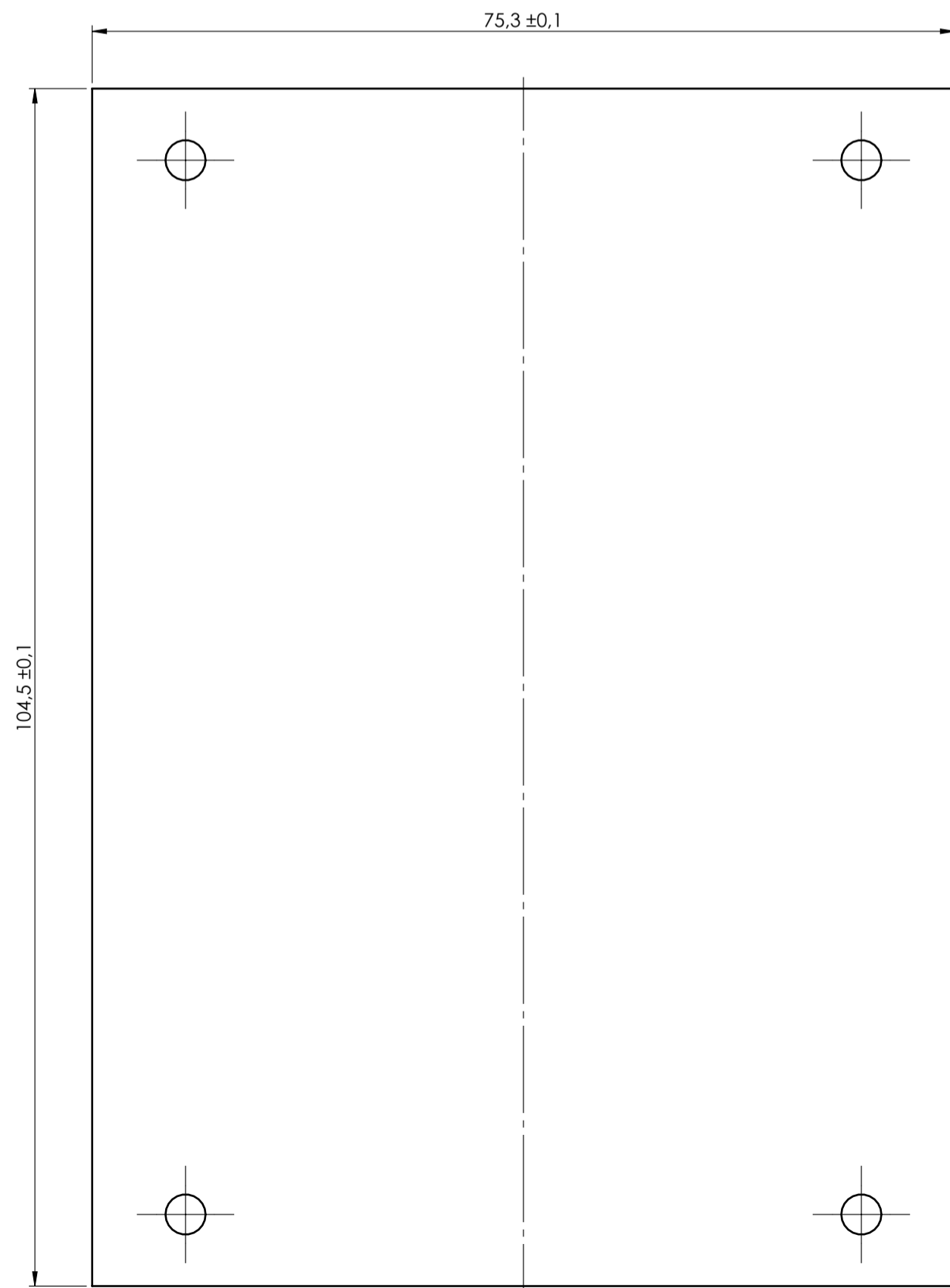
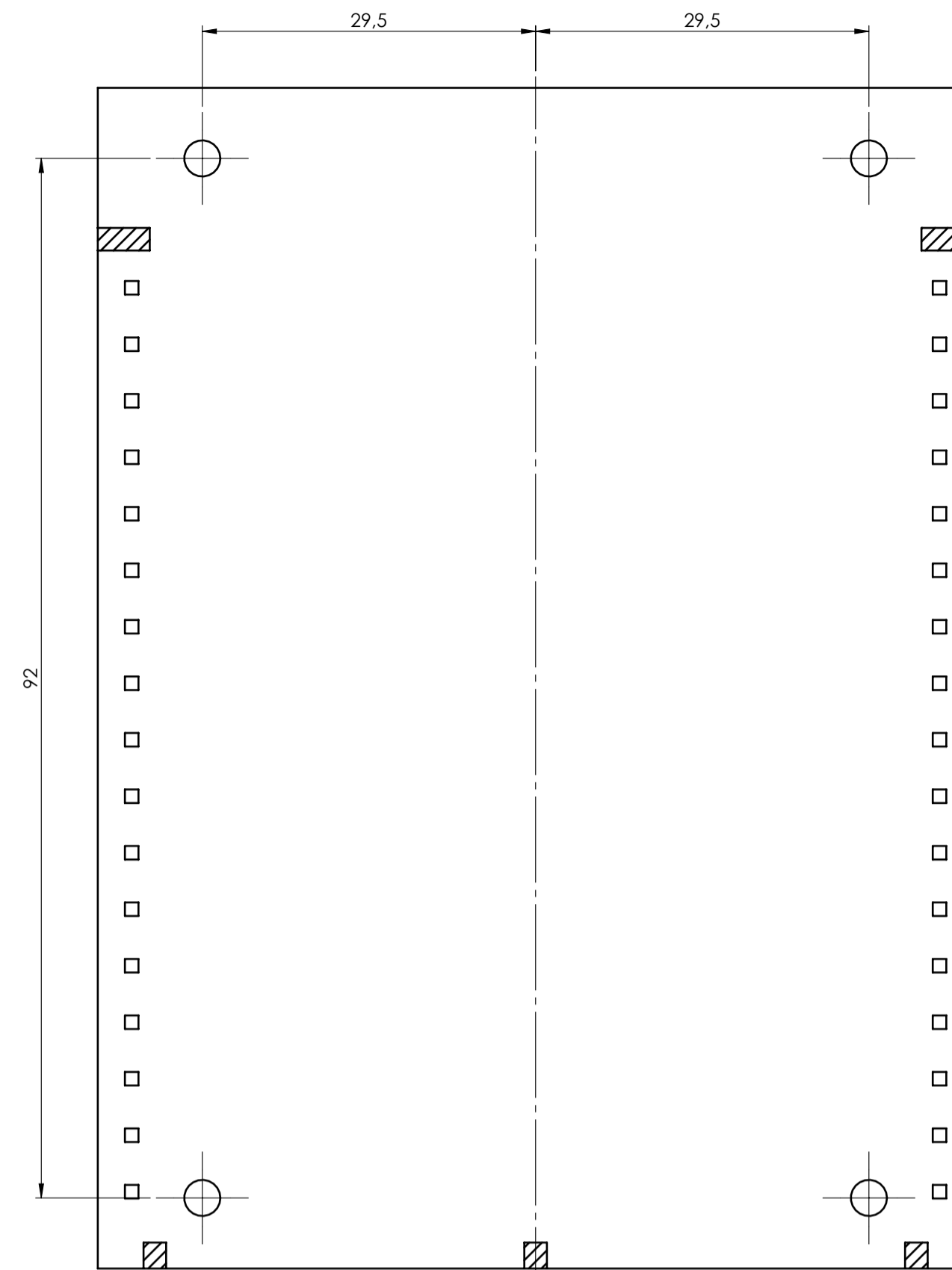
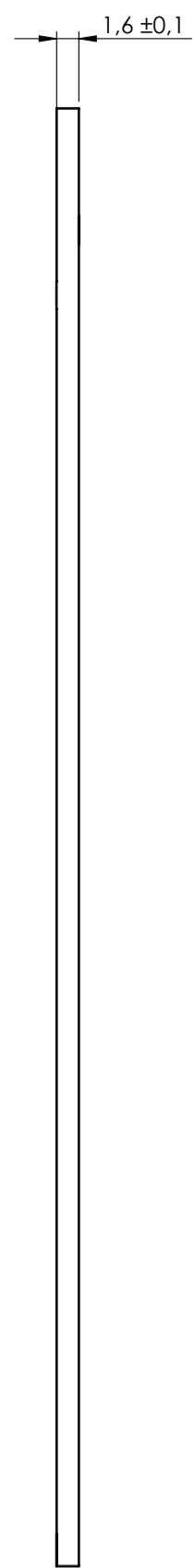
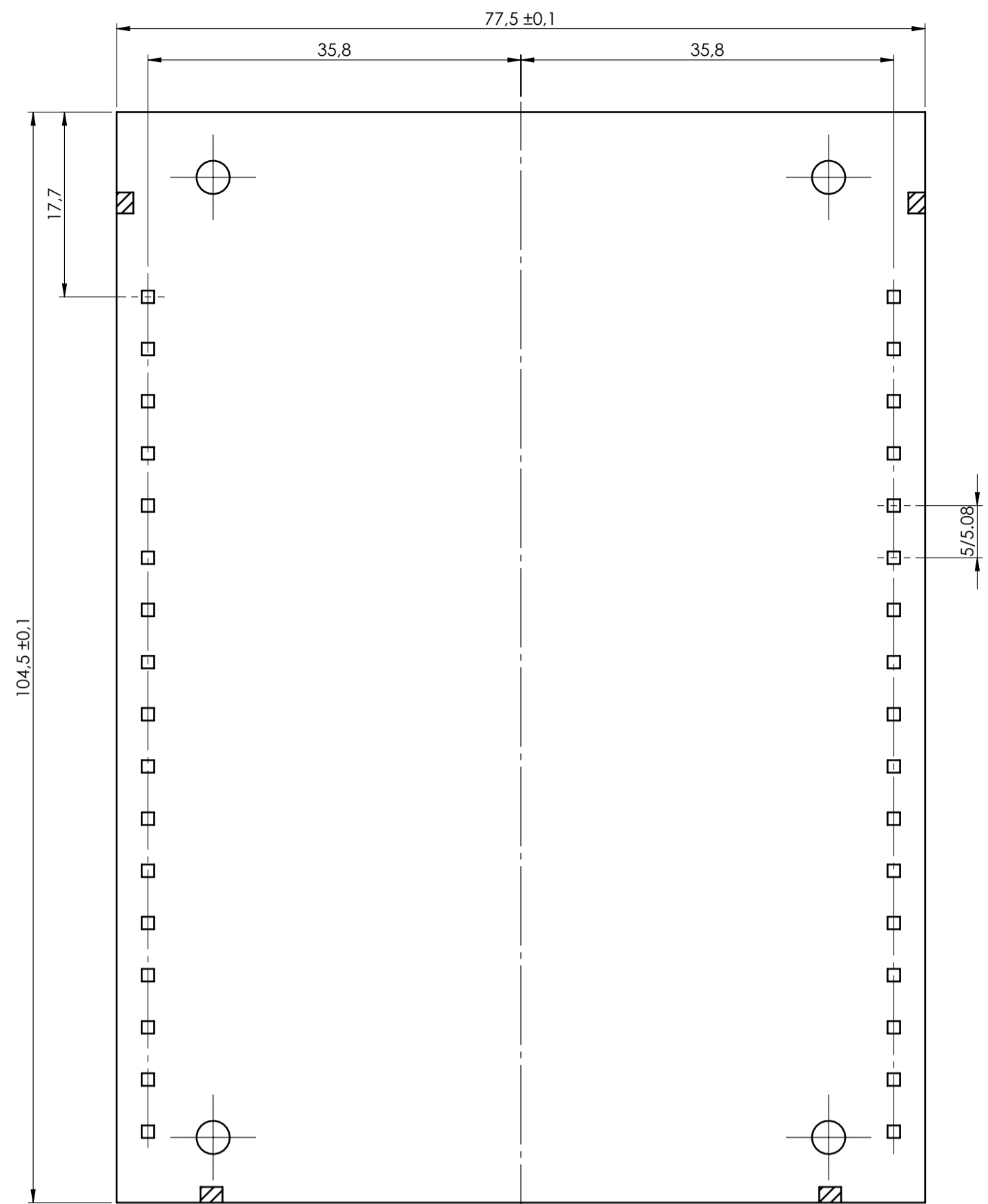
SPRING



General information:
 ● Workpiece zero point for mechanical processing
 - Minimum recommended radius for machining = R1.0 mm
 - Mounting rail like EN 60715: TH 35-15
 - Recommended PCB outline on www.italtronic.com

REF.	Q.TY	DRAWING	DESCRIPTION
1	1	2_110_00109	BASE RAILBOX STANDARD 12.5 MM CLOSED
2	1	2_110_00032	HOOK RAILBOX
3	1	2_110_00111	COPERCHIO RAILBOX STANDARD 32.5 MM CLOSED
4	1	2_110_00072	FRONT HINGED TRANSPARENT PANEL 17 MM
5	1	2_110_00011	SPRING FOR HOOK RAILBOX

Scale:	1:1	Dimension in mm	General Tolerances (UNE EN 22768/1) Media [mm]	Sheet:	1
Scale:	1:1	Dimension in mm	from 0.5 to 3 ±0.1 from 3 to 6 ±0.1 from 6 to 30 ±0.2 from 30 to 120 ±0.3 from 120 to 400 ±0.5	Sheet:	1
Scale:	1:1	Dimension in mm	from 0.5 to 3 ±0.1 from 3 to 6 ±0.1 from 6 to 30 ±0.2 from 30 to 120 ±0.3 from 120 to 400 ±0.5	Sheet:	1
Scale:	1:1	Dimension in mm	from 0.5 to 3 ±0.1 from 3 to 6 ±0.1 from 6 to 30 ±0.2 from 30 to 120 ±0.3 from 120 to 400 ±0.5	Sheet:	1



General Tolerance IIR EN 22768/1 Media (m)						Sheet:	
from 0.5 to 3 ± 0.1	from 3 to 6 ± 0.1	from 6 to 30 ± 0.2	from 30 to 120 ± 0.3	from 120 to 400 ± 0.5		PCB	
Scale:	1:1	Drawn:	M.S.	Checked:	R.N.	Date:	02/11/2023
Dimension in mm		Replaces the:	R-06392-00	Derived from:		Weight:	gr
Description:						Cod. Mold:	--
italtronic enclosures for electronics itatronic.com						Drawing ref: 3_110_00025	
						Rev.:	00 A1