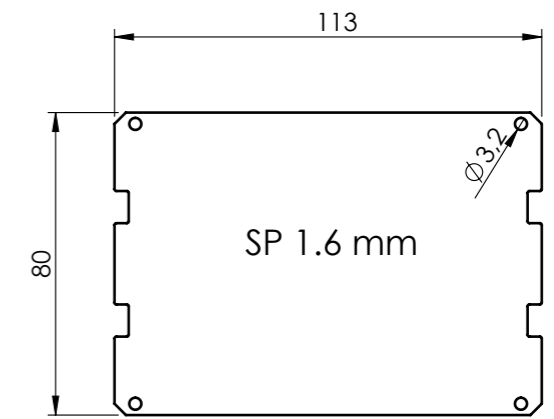
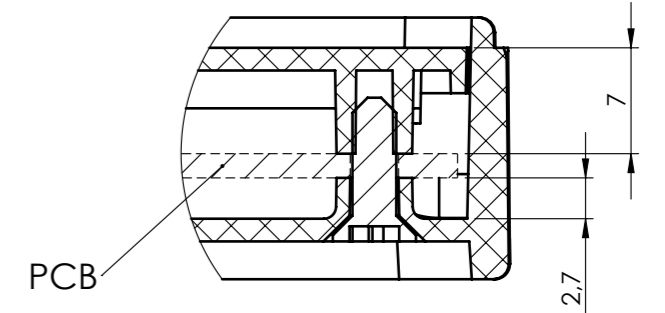
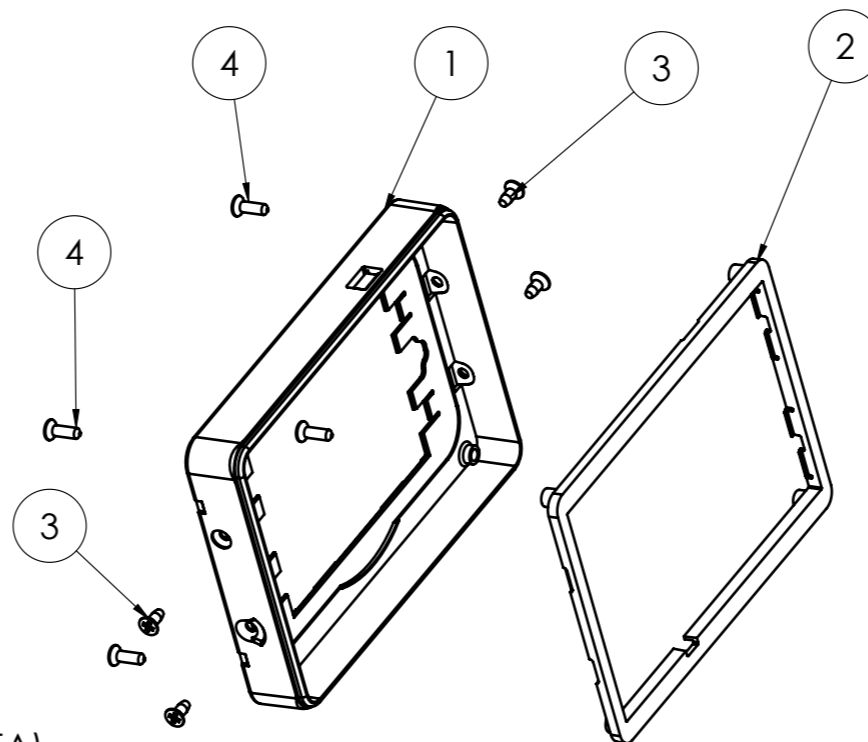


SECTION B-B



PCB SCALE 1:2

RECOMMENDED ADHESIVE 3M VHB 9473 PC TRANSPARENT (P140000T5A)

Revisions

Rev.	Description	Date	Mod. by
1	aggiunto nota adesivo	12/06/2023	M.S.

RIF.	Q.TY	DRAWING	DESCRIPTION
1	1	2_010_00039	ITOUCH BASE 80X120 H15
2	1	2_010_00044	ITOUCH INTERNAL FRAME H10-H15
3	4	8_100_00025	SCREW d 2,9 x 6,5 TS+
4	4	8_100_00043	SCREW d 2,9 x 9,5 TS+

General Tolerance UNI EN 22768/1 Media (m)					Sheet:
from 0.5 to 3	from 3 to 6	from 6 to 30	from 30 to 120	from 120 to 400	1
± 0.1	± 0.1	± 0.2	± 0.3	± 0.5	
Scale:	Drawn:	Checked:	Date:	Material:	Process:
1:1	R.N.	R.N.	11/03/2023		
Dimension in mm	The present drawing cannot be reproduced or communicated to 3rd parties, even partially, without the authorization of ITALTRONIC S.p.A. Italtronic reserves to protect its own rights according to the law.			Weight:	Cod. Mold:
	Derived from:			gr	--
	Description:				

**italtronic**  
enclosures for electronics  
italtronic.com

Description:  
KIT CONTENITORE ITOUCH H15  
ITOUCH H15 ENCLOSURE KIT

Drawing nr.:  
**3\_010\_00021**

Rev.:  
01 A3