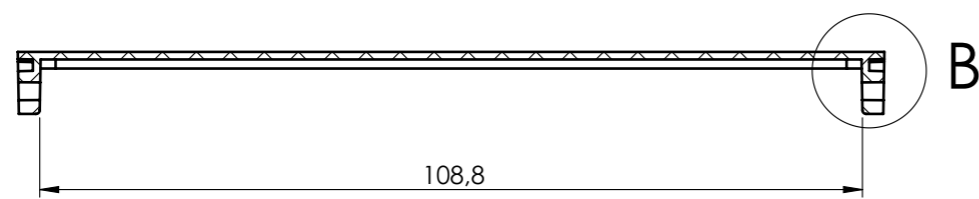
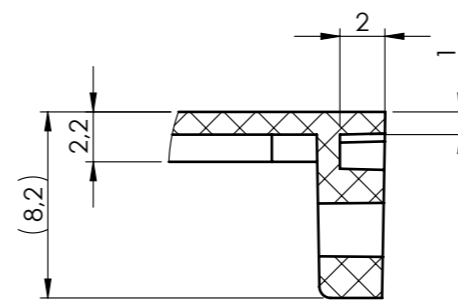


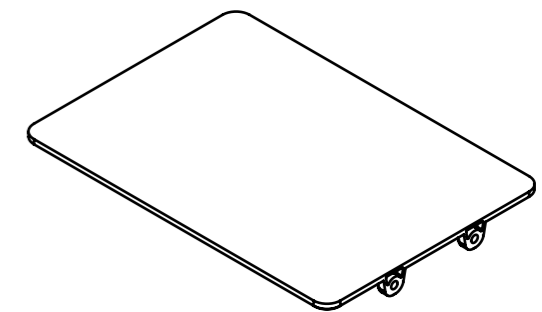
DETAIL C
SCALE 2 : 1



SECTION A-A



DETAIL B
SCALE 3 : 1



General information:
 - Workpiece zero point for mechanical processing
 - Minimum recommended radius for machining = R1.0 mm

General Tolerance UNI EN 22768/1 Media (m)					Sheet:
from 0.5 to 3 ± 0.1	from 3 to 6 ± 0.1	from 6 to 30 ± 0.2	from 30 to 120 ± 0.3	from 120 to 400 ± 0.5	1
Scale: 1:1	Drawn: R.N.	Checked: R.N.	Date: 01/03/2023	Material: ABS	Process: INJECTION
Dimension in mm	The present drawing cannot be reproduced or communicated to 3rd parties, even partially, without the authorization of ITALTRONIC S.p.A. Italtronic reserves to protect its own rights according to the law.			Weight: 10.19 gr	Cod. Mold: ST.1400212
 enclosures for electronics italtronic.com			Description: PLACCA POSTERIORE ITOUCH PER USO PALMARE ITOUCH BACK PLATE FOR HANDHELD USE		Rev.: 00
Drawing nr.: 2_010_00045				A3	