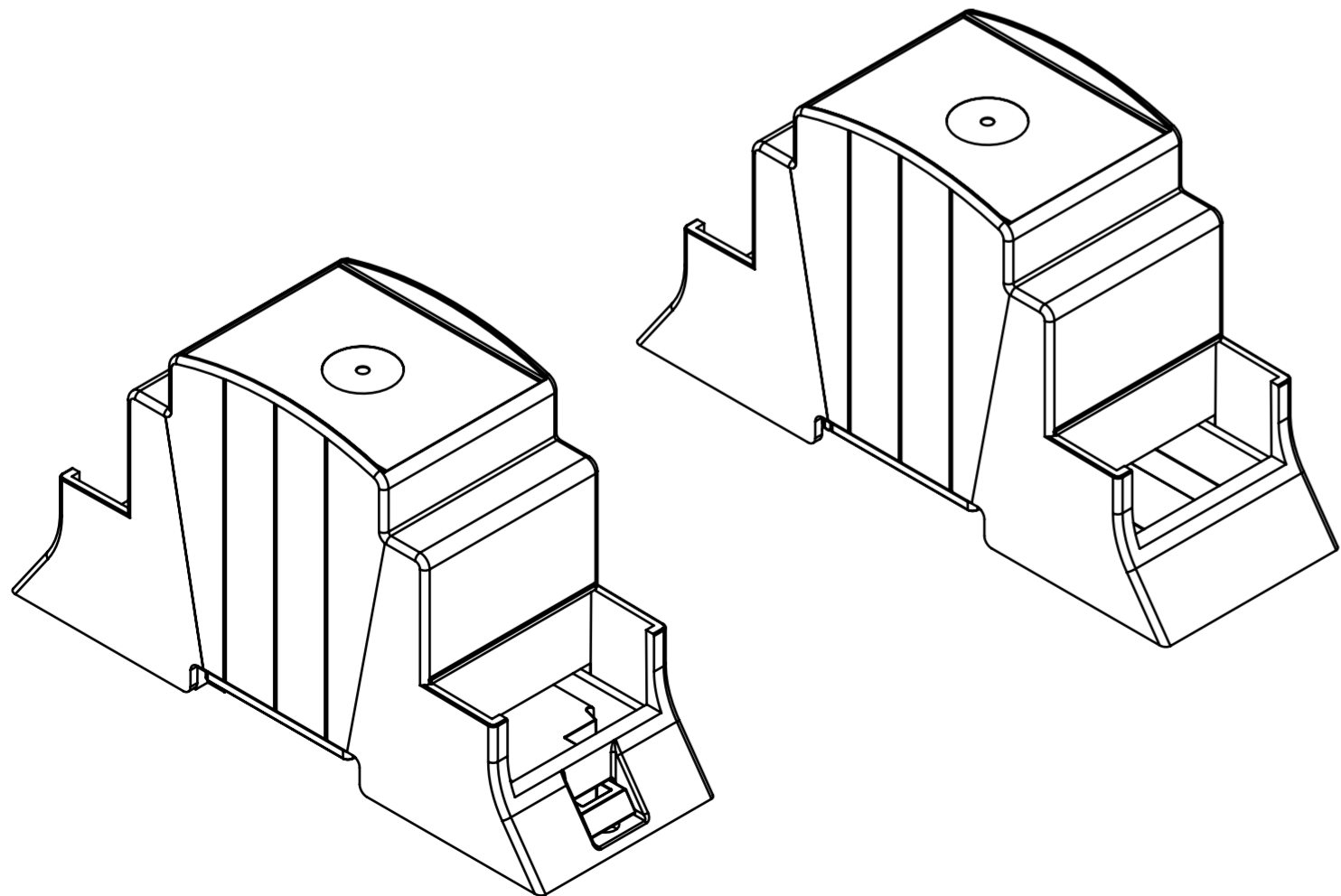
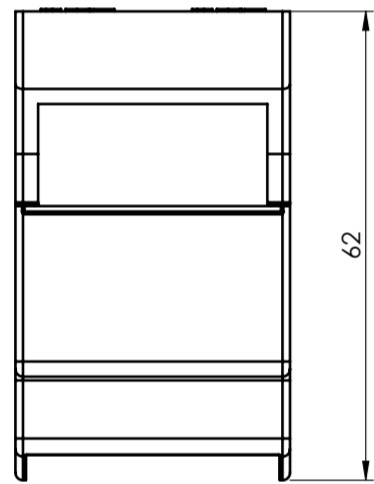
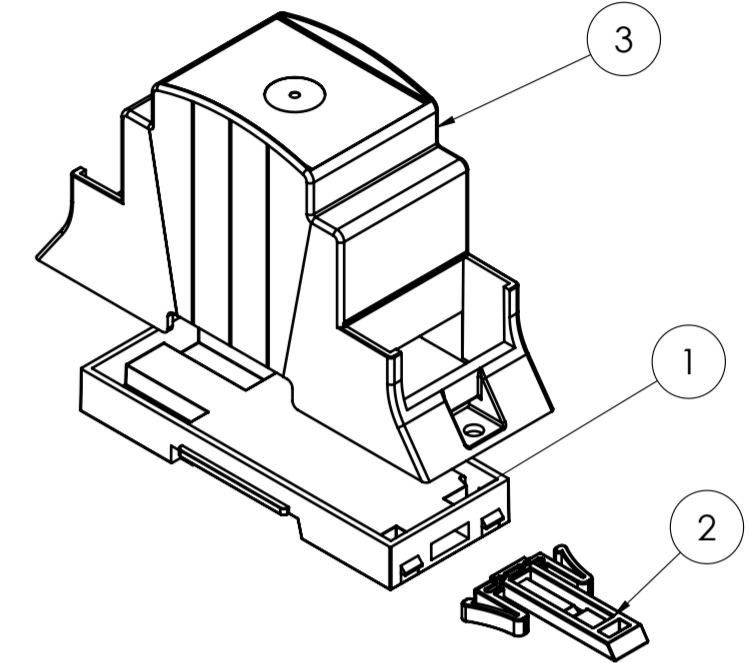
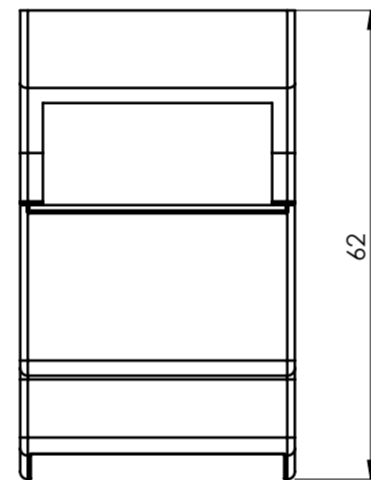
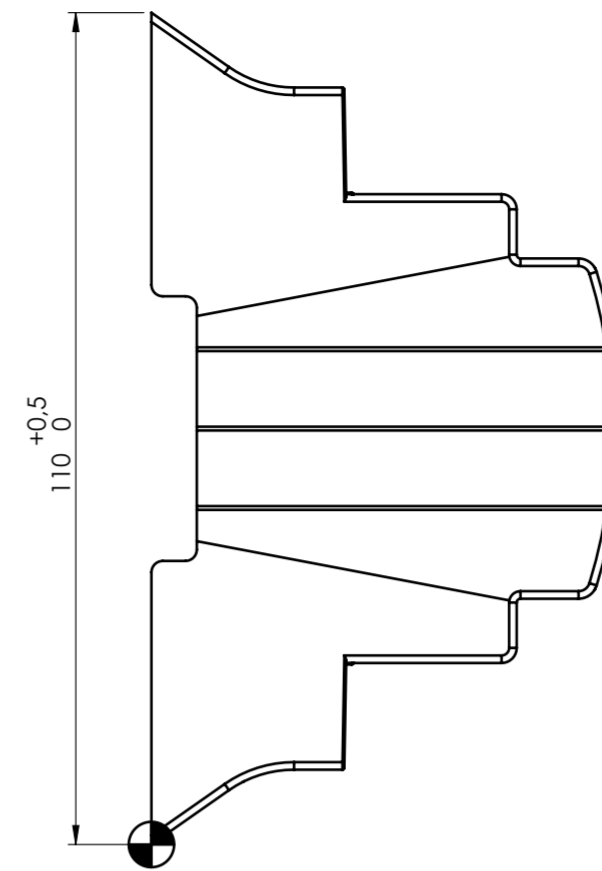
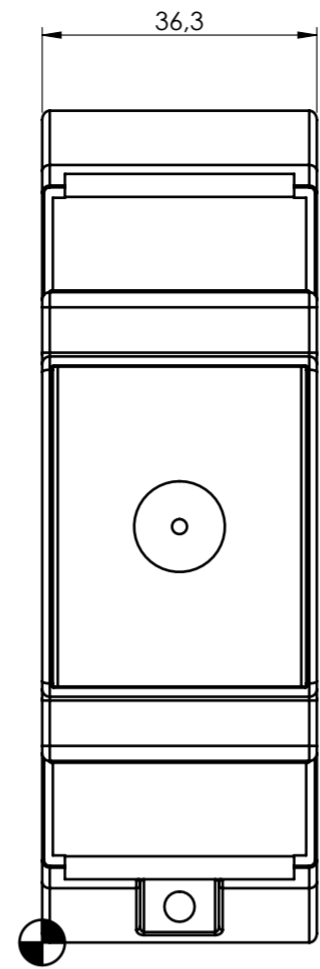


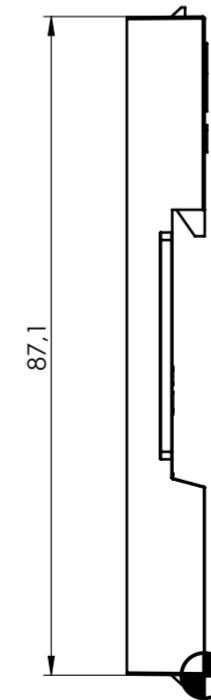
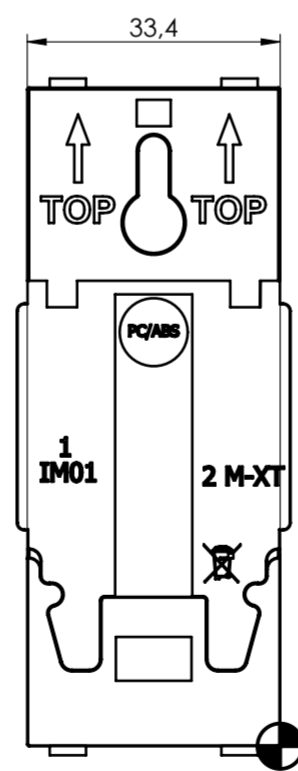
SECTION A-A



BODY ENCLOSURE

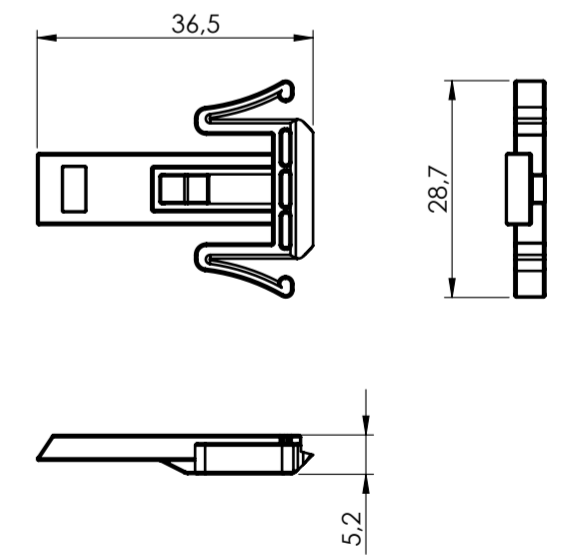


BASE



General information:  
 - Workpiece zero point for mechanical processing  
 - Minimum recommended radius for machining = R1.0 mm  
 - Mounting rail like EN 60715: TH 35-15  
 - Recommended PCB outline on [www.italtronic.com](http://www.italtronic.com)

HOOK



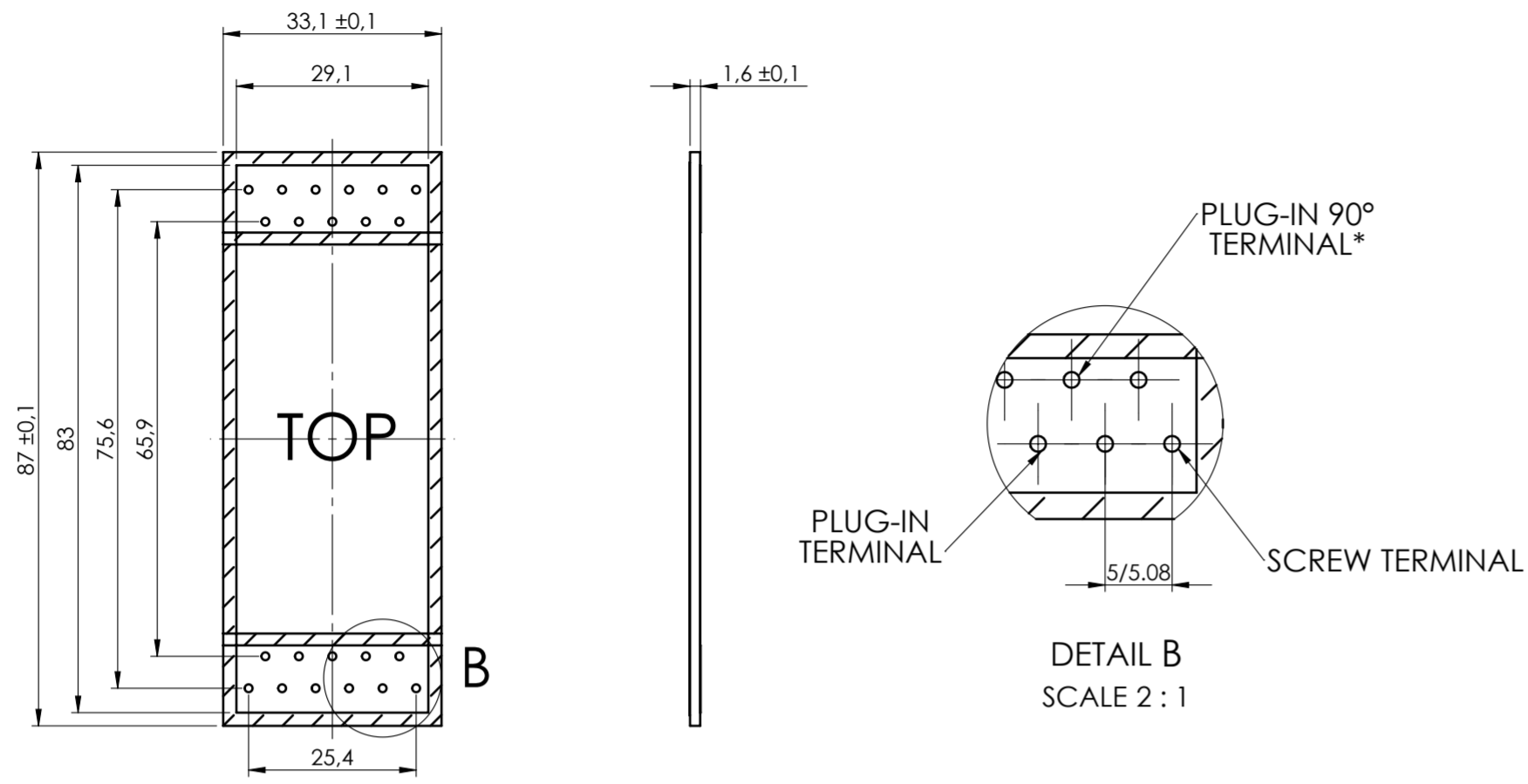
RIF.	Q.TY	DRAWING	DESCRIPTION
1	1	2_250_03868	BODY ENCLOSURE MODULBOX XT 2MH53-A
2	1	2_250_00139	BASE MODULBOX XT/XTS - 2M
3	1	2_250_00072	HOOK FOR MODULBOX XT-XTS

General Tolerance UNI EN 22768/1 Media (m)						Sheet:
from 0.5 to 3	from 3 to 6	from 6 to 30	from 30 to 120	from 120 to 400		1
± 0.1	± 0.1	± 0.2	± 0.3	± 0.5		
Scale:	IM:	Drawn:	Checked:	Date:	Material:	Process:
1:1	--	R.N.	R.N.	10/10/2024		
Dimension in mm		Replaces the:		Derived from:	Weight:	Cod. Mold:
		M-04054		--	gr	--

 enclosures for electronics italtronic.com		Description: KIT CONTENITORE MODULBOX XT 2MCS3-A CHIUSO KIT ENCLOSURE MODULBOX XT 2M53-A CLOSED Drawing nr.: <b>3_250_00197</b>		Rev.: <b>00</b>	<b>A2</b>
--	--	---	--	--------------------	-----------

PCB A

Max height of the terminal:  
Modulbox XT/XTS: 18.5 mm



NO COMPONENTS AREA

General Tolerance UNI EN 22768/1 Media (m)						Sheet:
from 0.5 to 3 ± 0.1	from 3 to 6 ± 0.1	from 6 to 30 ± 0.2	from 30 to 120 ± 0.3	from 120 to 400 ± 0.5		PCB
Scale:	IM:	Drawn:	Checked:	Date:	Material:	Process:
1:1	--	R.N.	R.N.	10/10/2024		
	The present drawing cannot be reproduced or communicated to 3rd parties, even partially, without the authorization of Italtronic. Italtronic reserves the right to protect its copyrights according to the law.		Replaces the:	Derived from:	Weight:	Cod. Mold:
Dimension in mm			M-04054	--	gr	--
 <b>italtronic</b> enclosures for electronics italtronic.com						Description:
						KIT CONTENITORE MODULBOX XT 2MCS3-A CHIUSO KIT ENCLOSURE MODULBOX XT 2M53-A CLOSED
Drawing nr.:						Rev.:
<b>3_250_00197</b>						<b>00 A2</b>