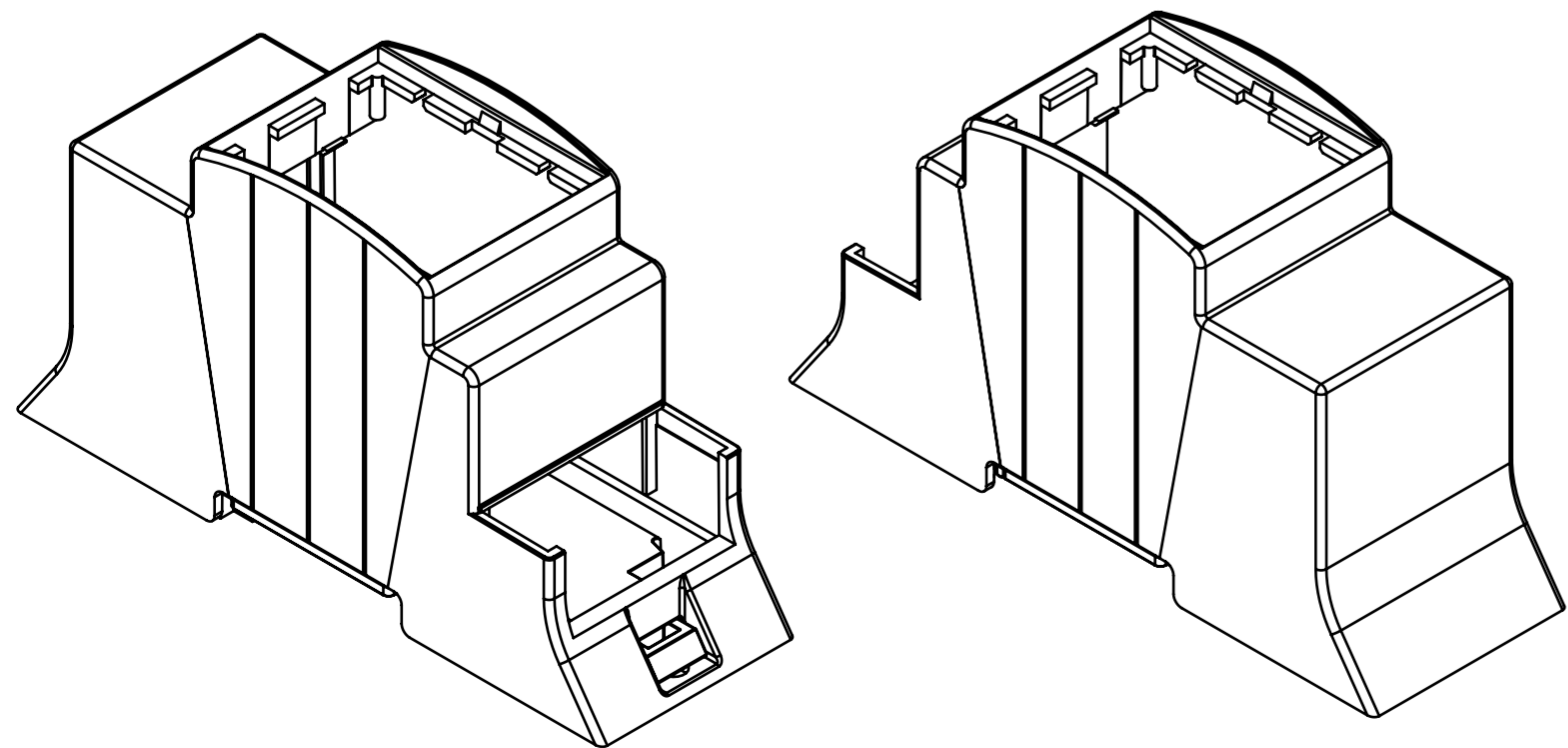
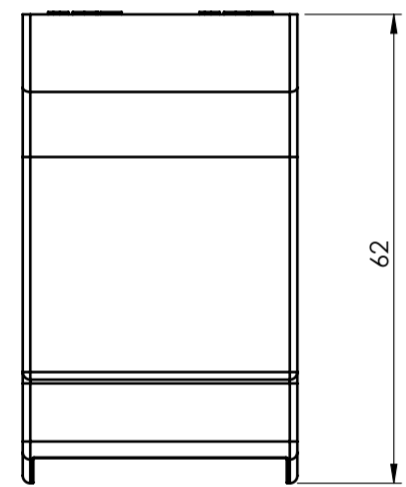
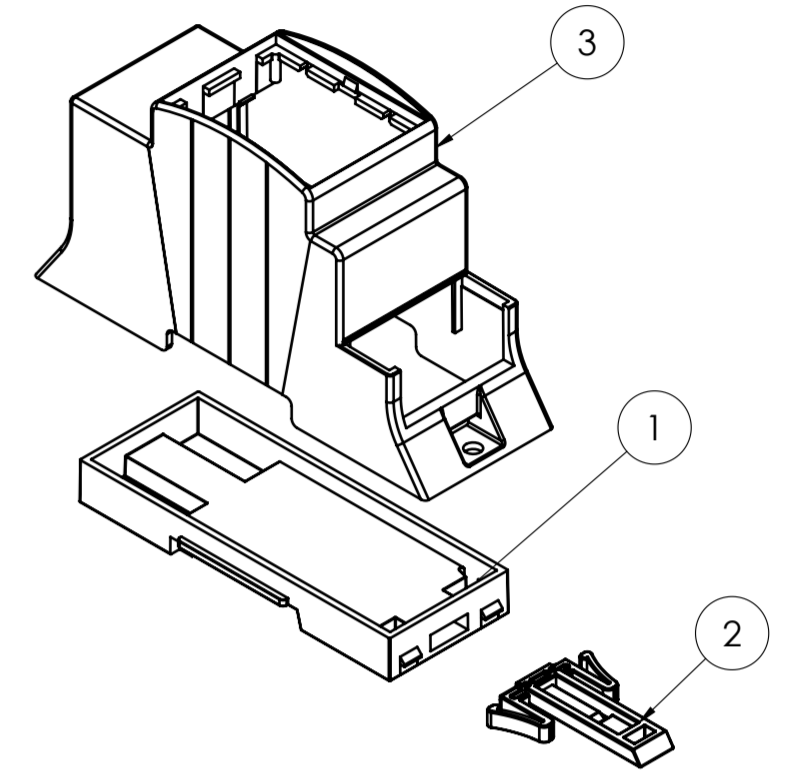
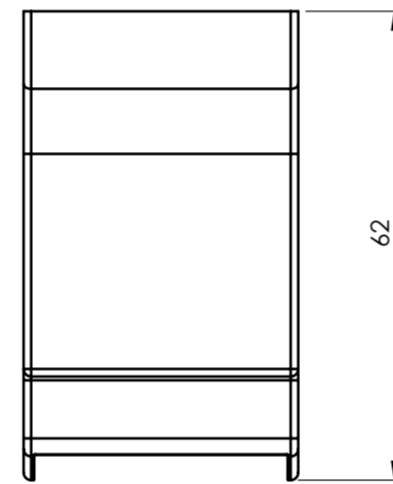
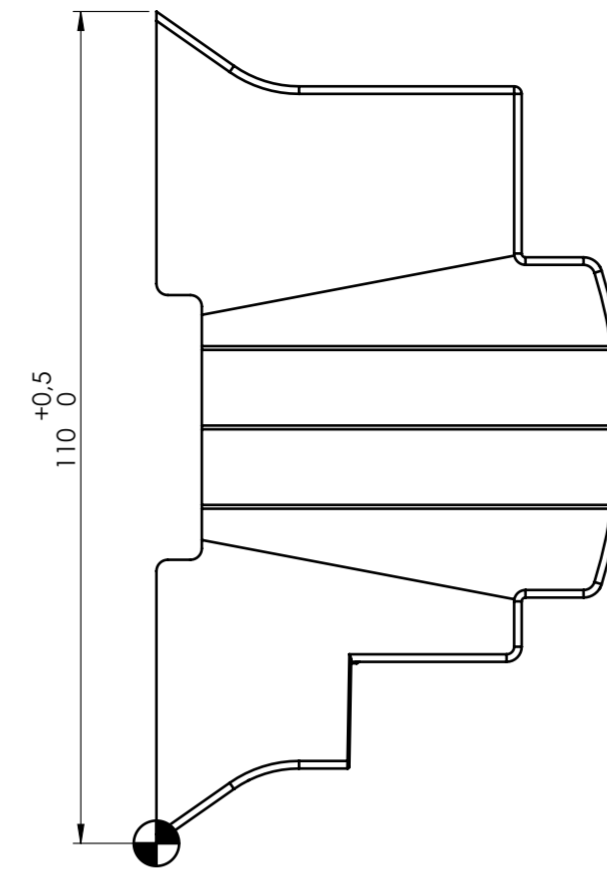
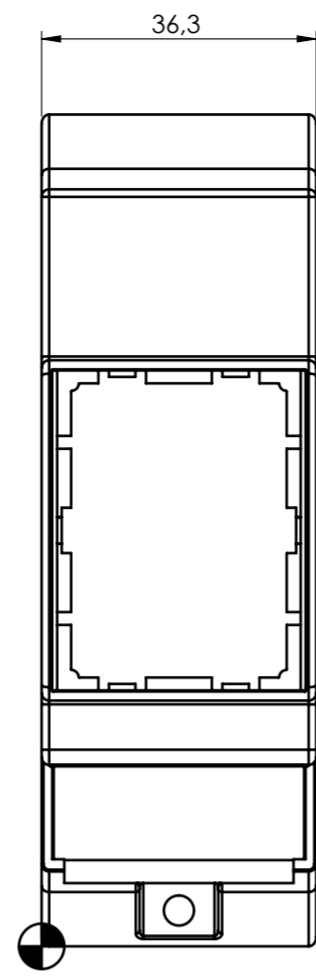


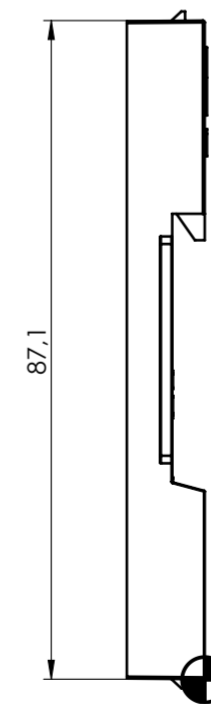
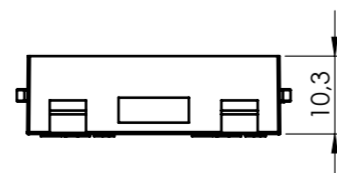
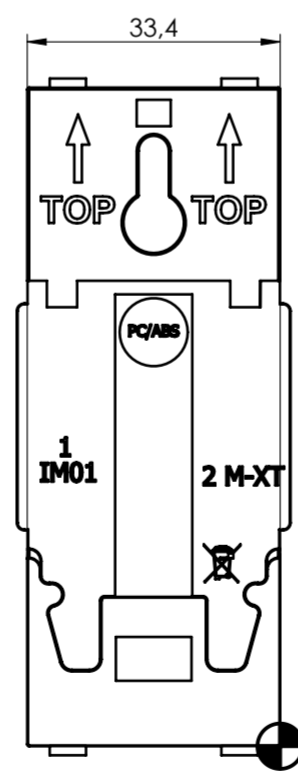
SECTION A-A



BODY ENCLOSURE

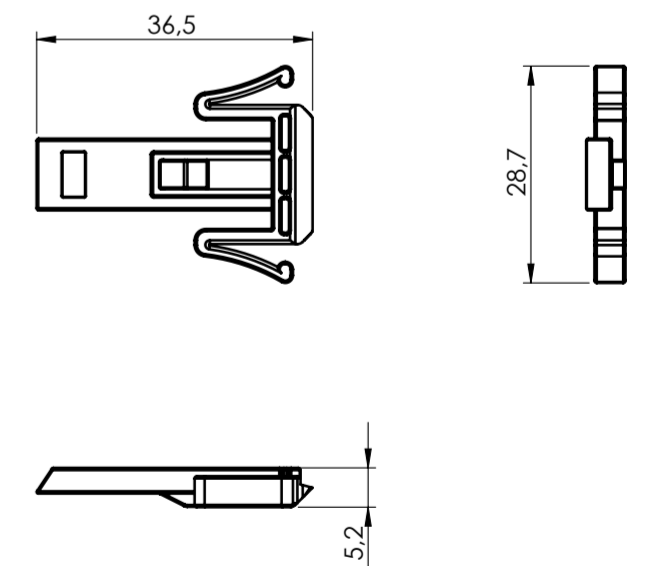


BASE



General information:  
 - Workpiece zero point for mechanical processing  
 - Minimum recommended radius for machining = R1.0 mm  
 - Mounting rail like EN 60715: TH 35-15  
 - Recommended PCB outline on [www.italtronic.com](http://www.italtronic.com)

HOOK



RIF.	Q.TY	DRAWING	DESCRIPTION
1	1	2_250_00139	BASE MODULBOX XT/XTS - 2M
2	1	2_250_00072	HOOK FOR MODULBOX XT-XTS
3	1	2_250_03866	BODY MODULBOX XTS 2MH53V-A

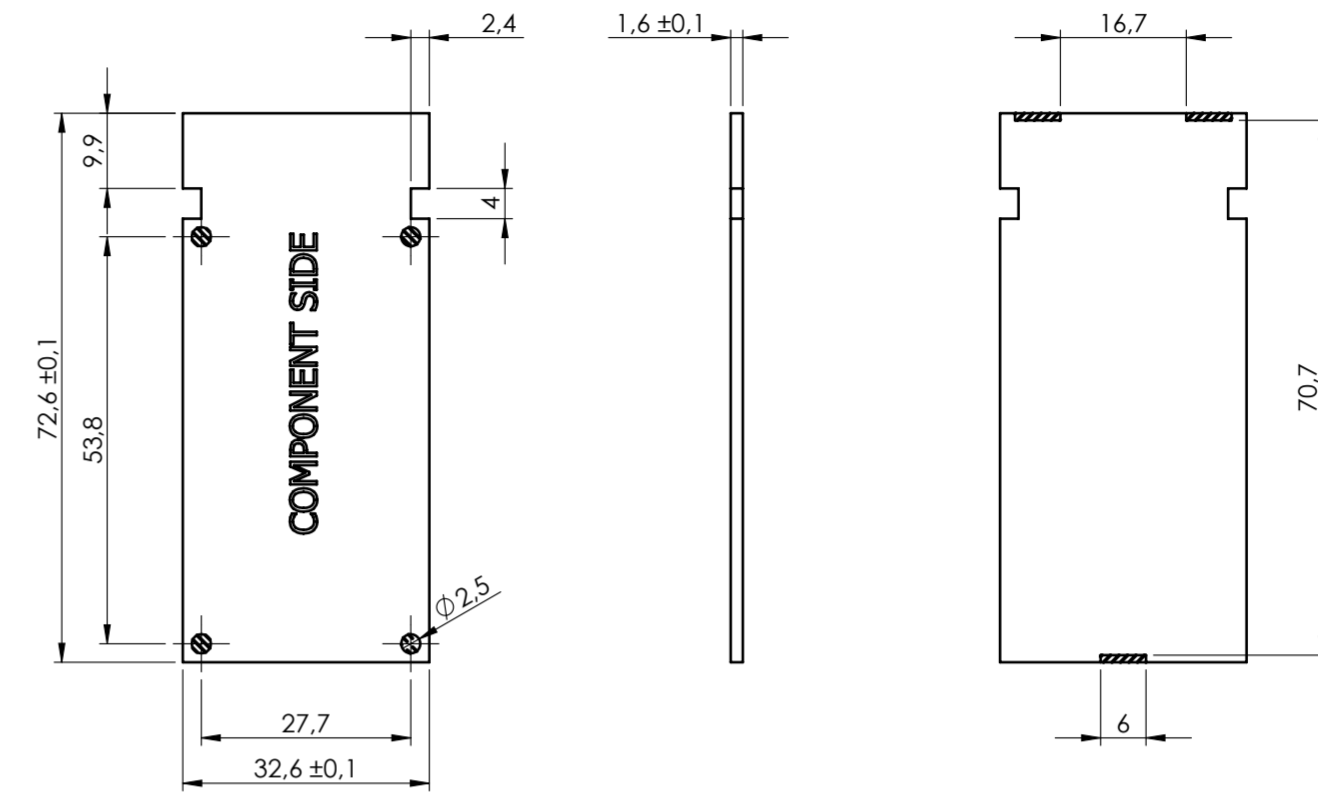
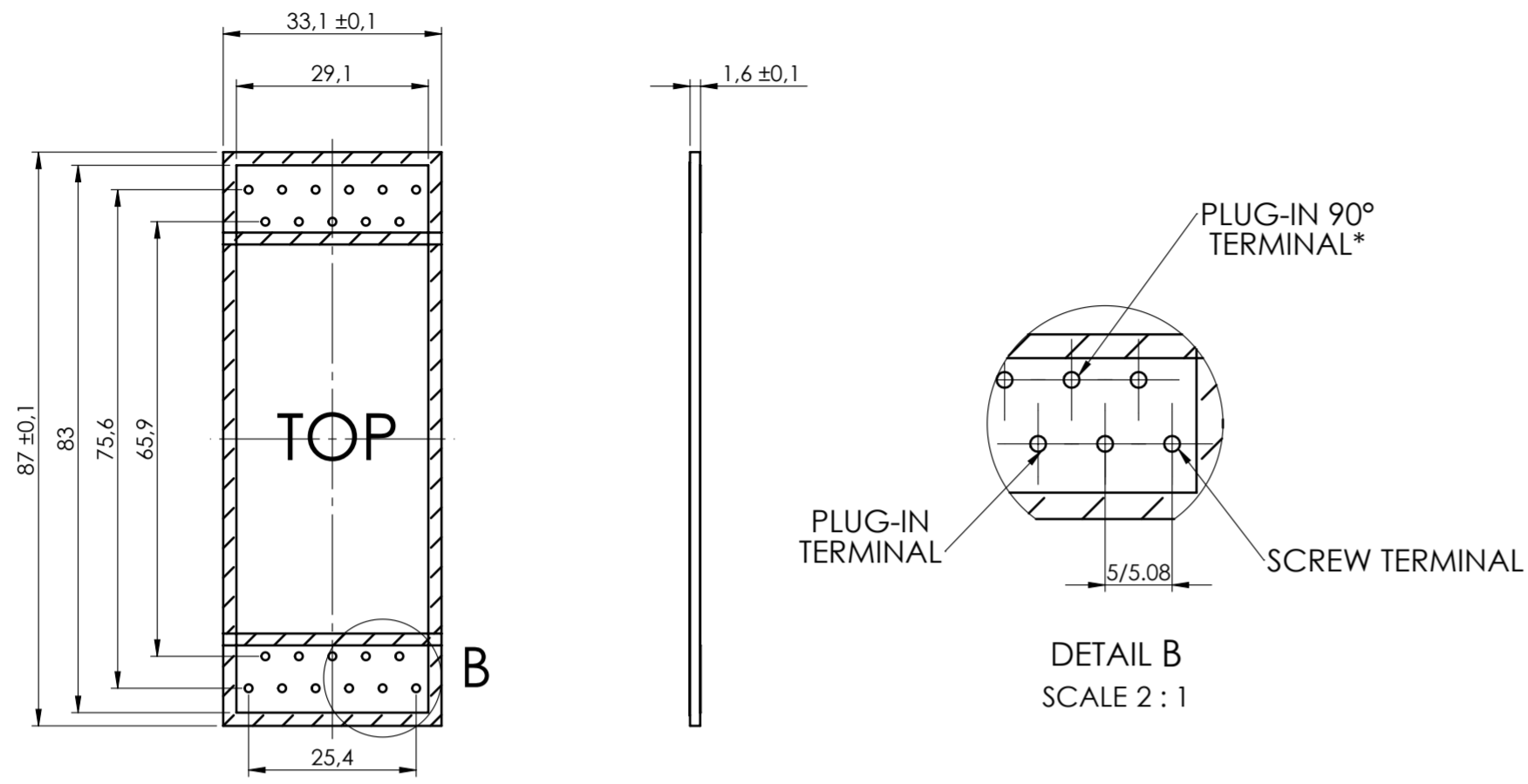
General Tolerance UNI EN 22768/1 Media (m)						Sheet:
from 0.5 to 3	from 3 to 6	from 6 to 30	from 30 to 120	from 120 to 400		1
± 0.1	± 0.1	± 0.2	± 0.3	± 0.5		
Scale:	IM:	Drawn:	Checked:	Date:	Material:	Process:
1:1	--	F.E.	R.N.	10/10/2024		
Dimension in mm			M-04053	--	gr	--

		Description:		Rev.:	
enclosures for electronics		KIT CONTENITORE MODULBOX XT 2MH53-B		-	
italtronic.com		KIT ENCLOSURE MODULBOX XT 2MH53-B		A2	
		Drawing nr.:			
		3_250_00194			

PCB A

PCB B

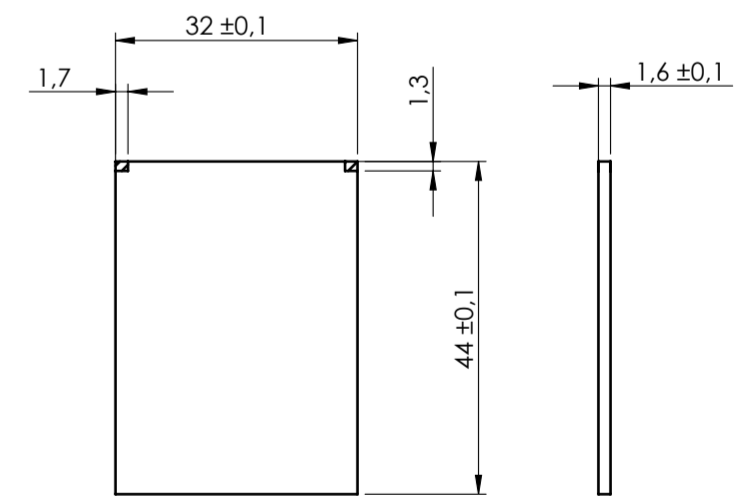
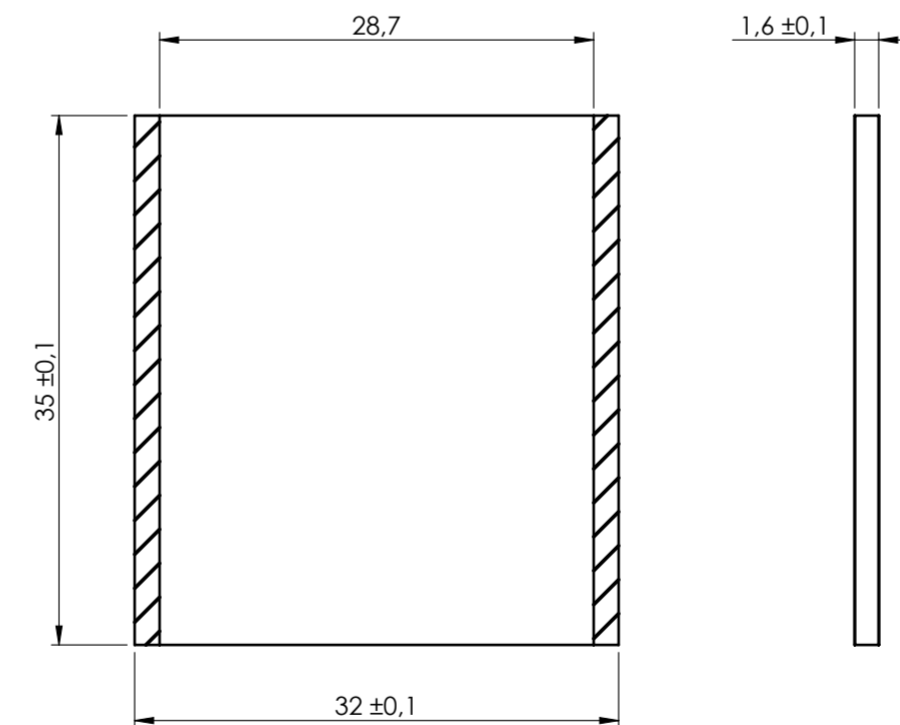
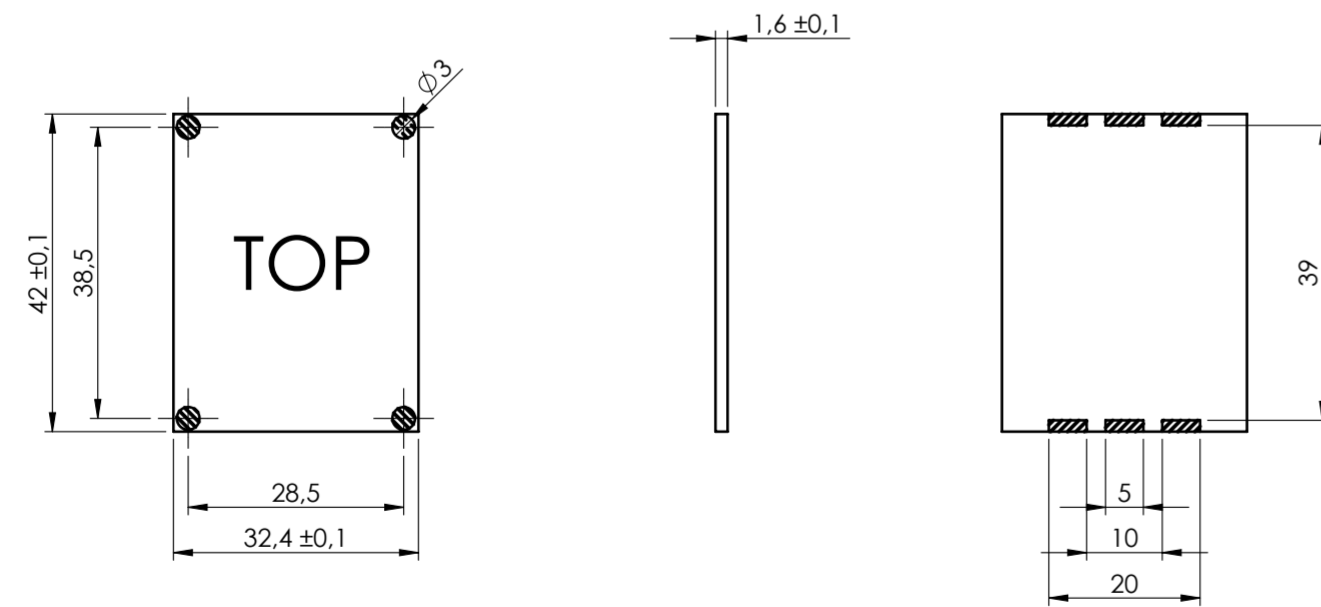
Max height of the terminal:  
Modulbox XT/XTS: 18.5 mm



PCB C

PCB V1

PCB V2



General Tolerance UNI EN 22768/1 Media (m)					Sheet:
from 0.5 to 3 ± 0.1	from 3 to 6 ± 0.1	from 6 to 30 ± 0.2	from 30 to 120 ± 0.3	from 120 to 400 ± 0.5	PCB
Scale:	IM:	Drawn:	Checked:	Date:	Material:
1:1	--	F.E.	R.N.	10/10/2024	Process:
Dimension in mm		Replaces the:		Derived from:	Weight:
		M-04053		--	gr
Description:					Cod. Mold:
KIT CONTENITORE MODULBOX XT 2MH53-B					--
KIT ENCLOSURE MODULBOX XT 2MH53-B					
Drawing nr.:					Rev.:
3_250_00194					- A2

NO COMPONENTS AREA

