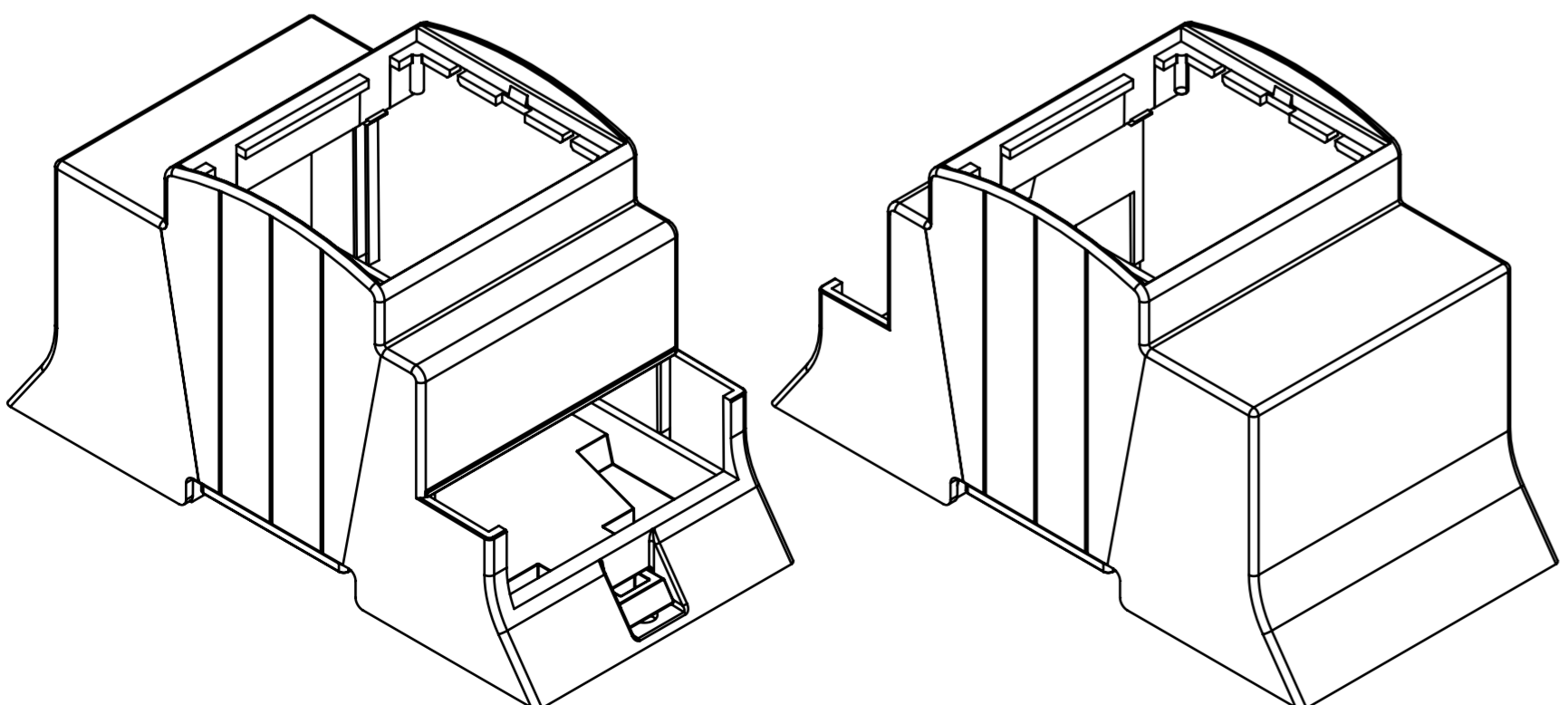
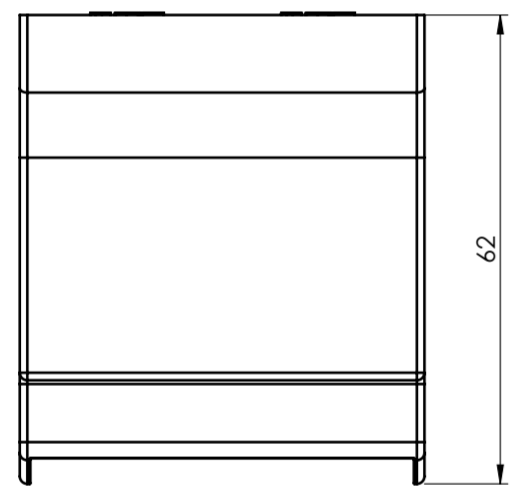
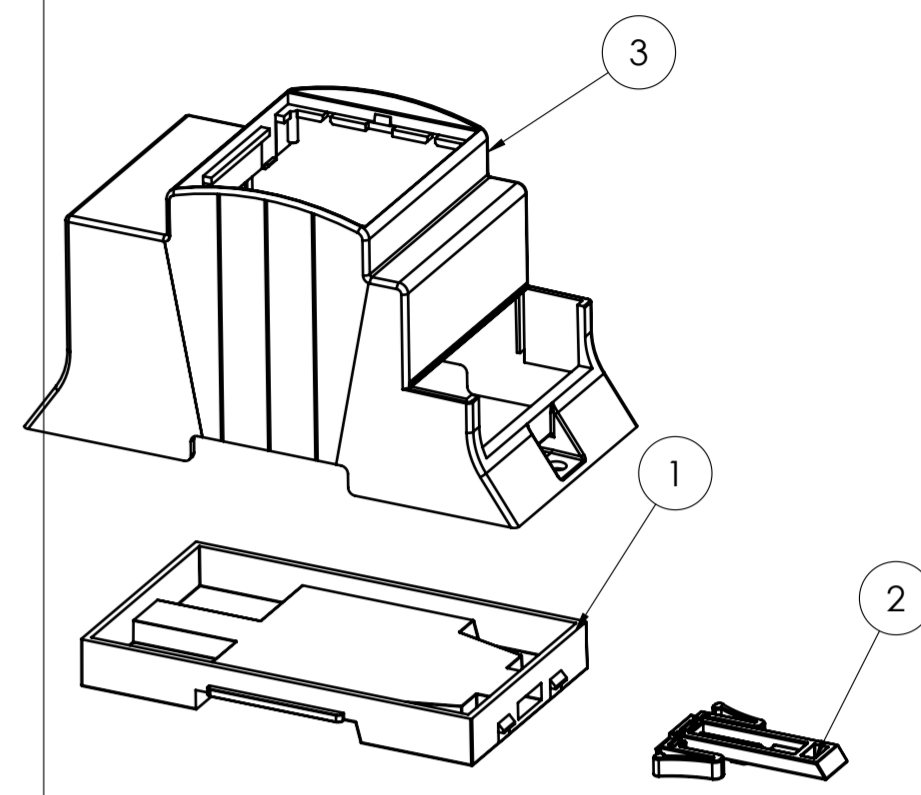
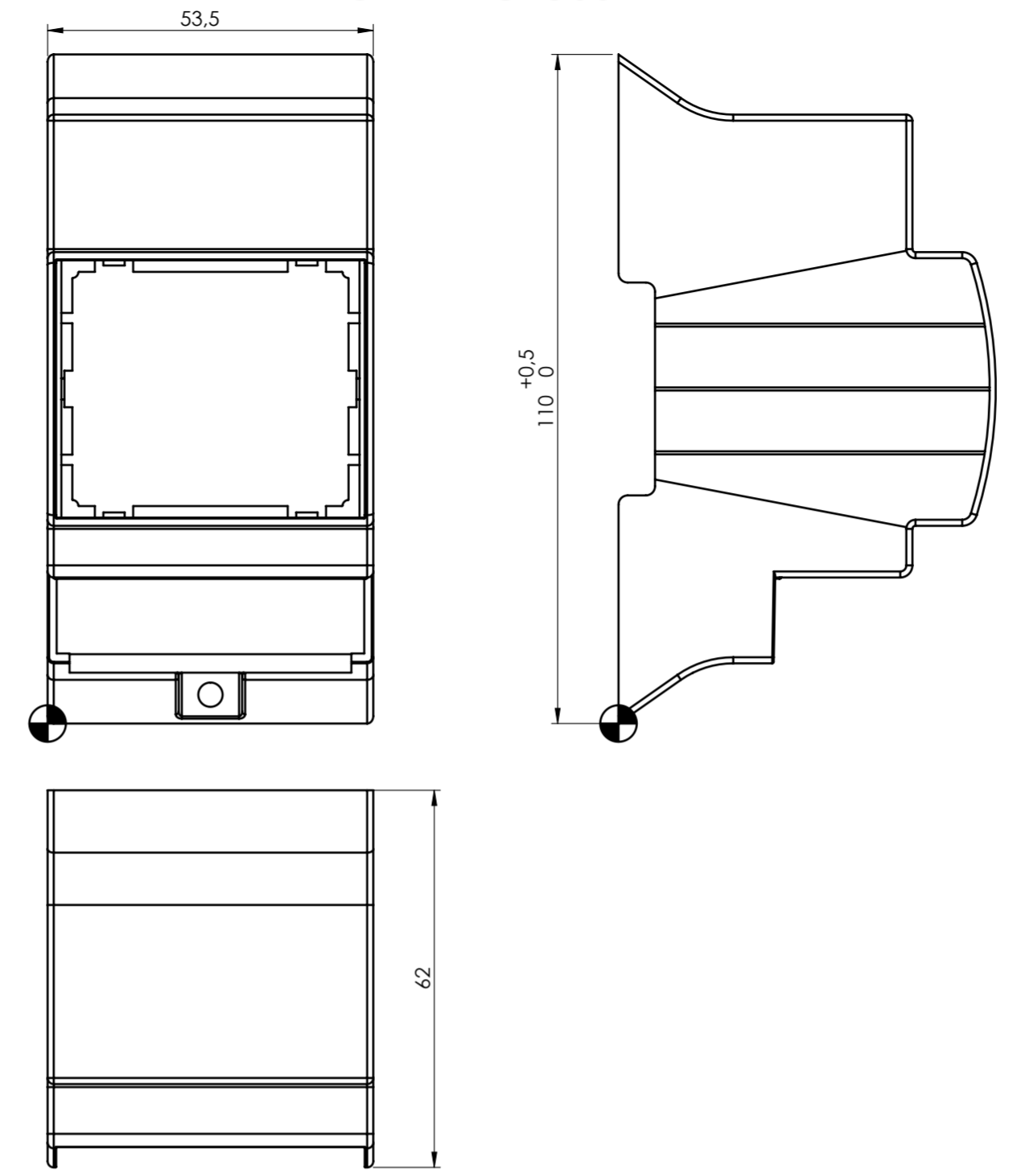


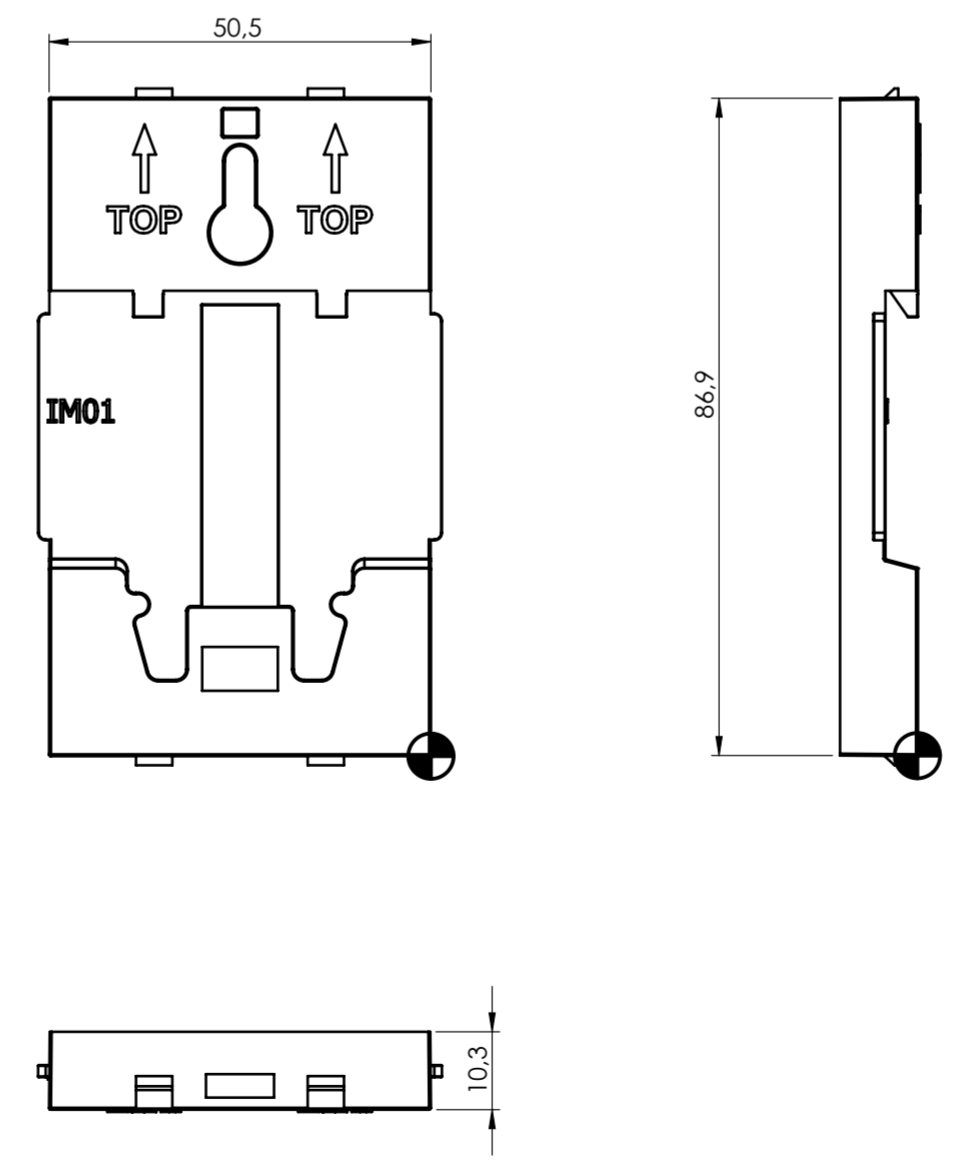
SECTION A-A



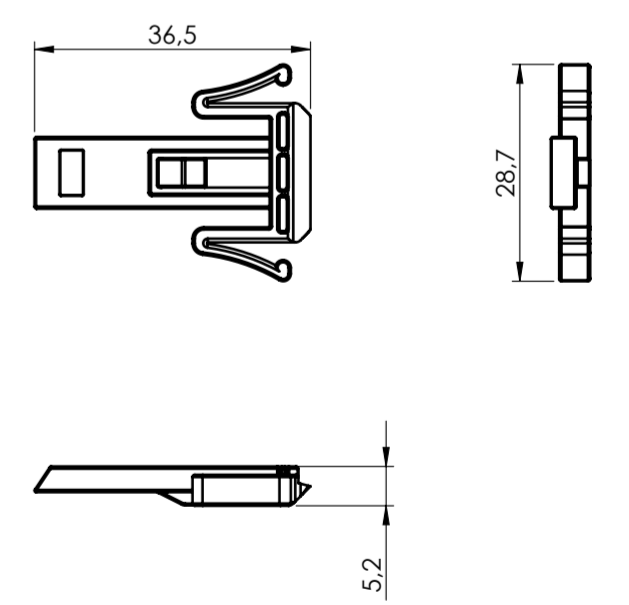
BODY ENCLOSURE



BASE



HOOK



General information:
 - Workpiece zero point for mechanical processing
 - Minimum recommended radius for machining = R1.0 mm
 - Mounting rail like EN 60715: TH 35-15
 - Recommended PCB outline on www.italtronic.com

RIF.	Q.TY	DRAWING	DESCRIPTION
1	1	2_250_03677	BASE MODULBOX XT/XTS - 3M
2	1	2_250_00072	HOOK FOR MODULBOX XT-XTS
3	1	2_250_03851	BODY MODULBOX XTS 3MH53-B

General Tolerance UNI EN 22768/1 Media (m)

from 0.5 to 3 ± 0.1	from 3 to 6 ± 0.1	from 6 to 30 ± 0.2	from 30 to 120 ± 0.3	from 120 to 400 ± 0.5	Sheet: 1
------------------------	----------------------	-----------------------	-------------------------	--------------------------	-------------

Scale: 1:1
 Drawn: M.S.
 Checked: R.N.
 Date: 22/11/2023
 Material:
 Process:
 Weight: gr
 Cod. Mold: --

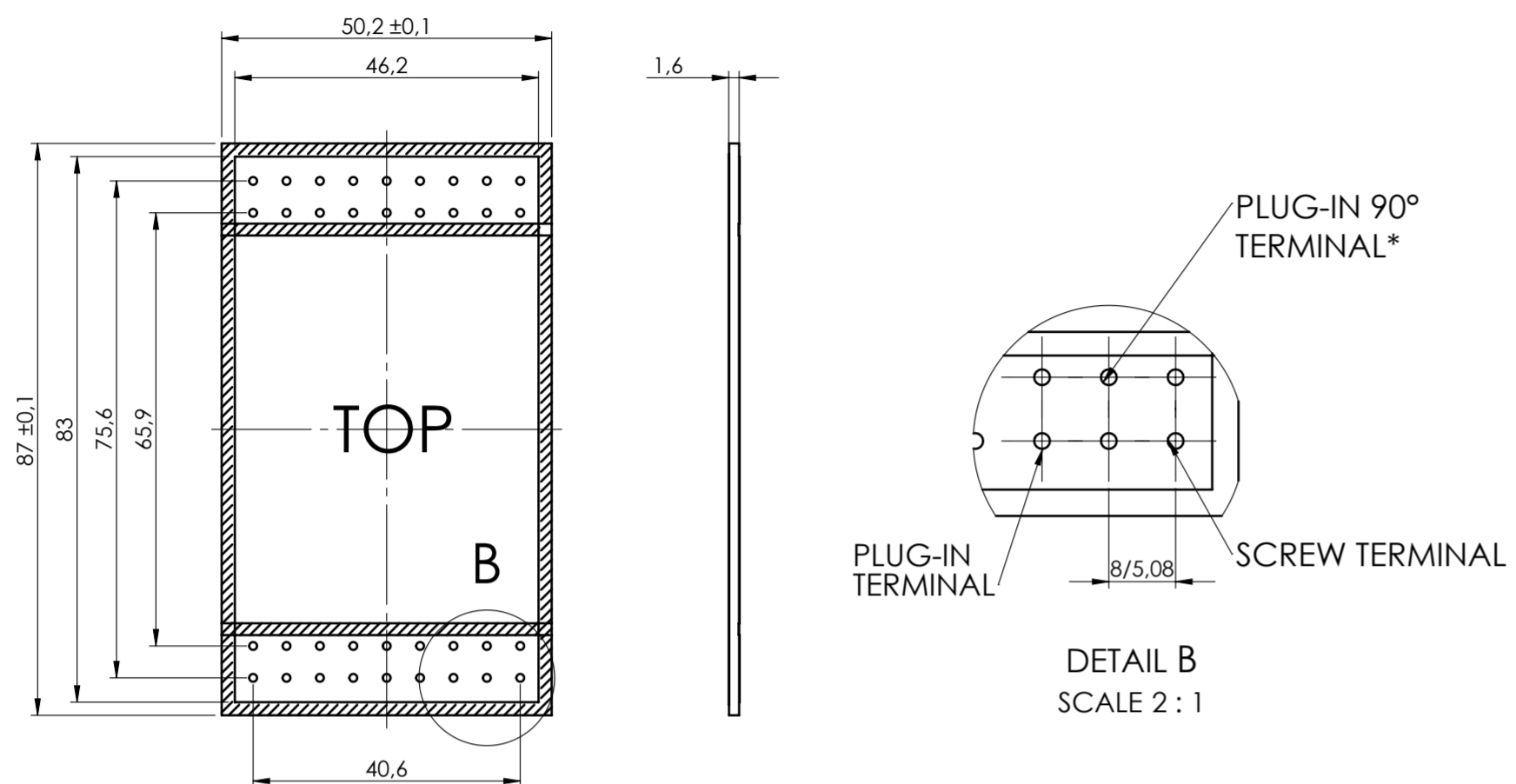
Dimension in mm

Derived from:
 Description: KIT CONTENITORE MODULBOX XT 3MH53-B
 KIT ENCLOSURE MODULBOX XT 3MH53-B
 Drawing nr.: **3_250_00186**
 Rev.: - A2

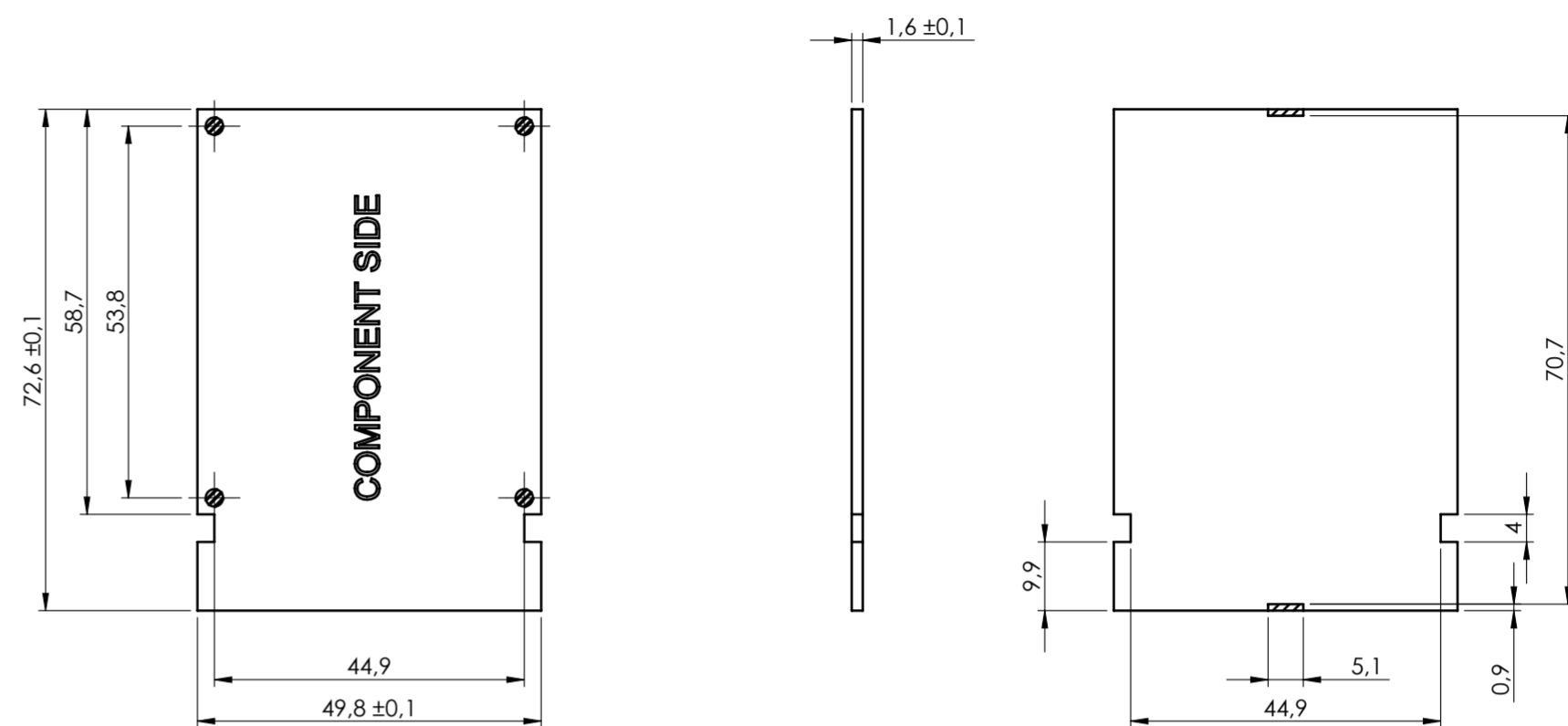


PCB A

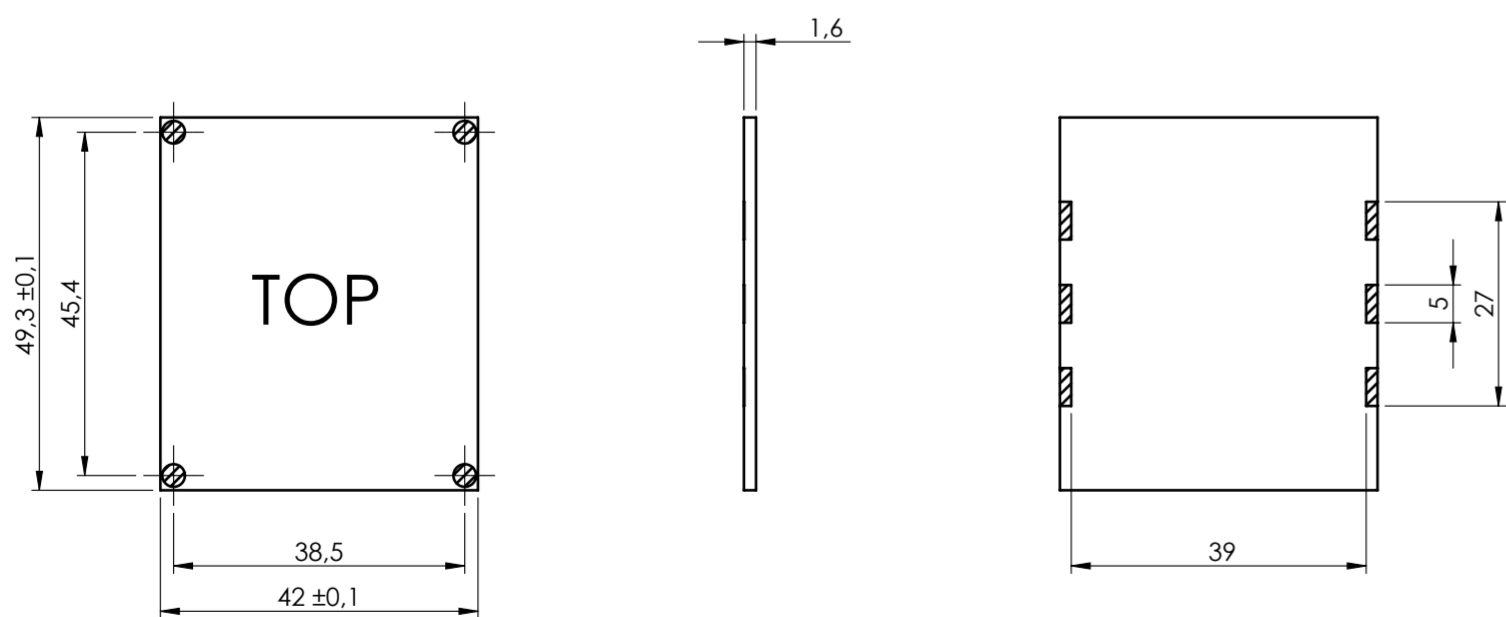
Max height of the terminal:
 Modulbox XT/XTS: 18.5 mm
 Modulbox ONE: 20 mm



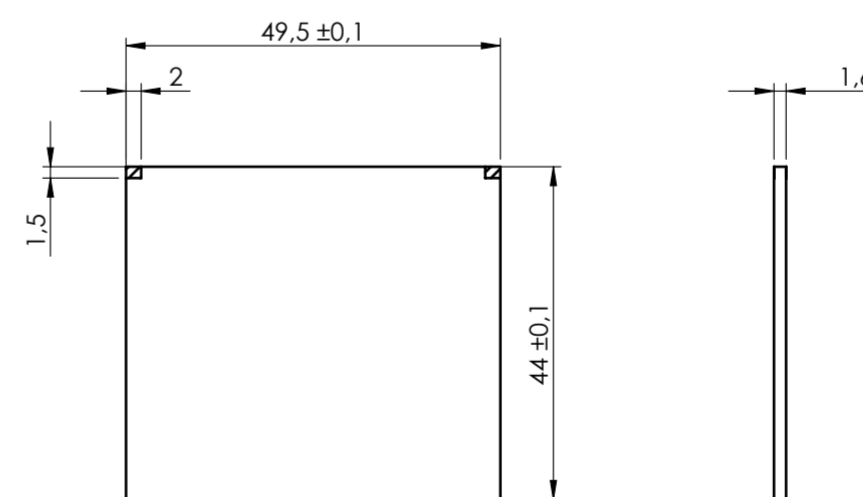
PCB B



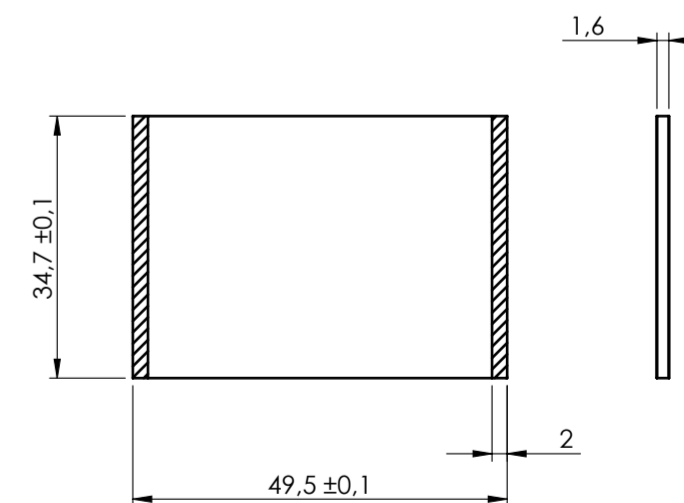
PCB C



PCB V2



PCB V1



General Tolerance UNI EN 22768/1 Media (m)					Sheet:
from 0.5 to 3 ± 0.1	from 3 to 6 ± 0.1	from 6 to 30 ± 0.2	from 30 to 120 ± 0.3	from 120 to 400 ± 0.5	PCB
Scale:	Drawn:	Checked:	Date:	Material:	Process:
1:1	M.S.	R.N.	22/11/2023		
Dimension in mm	Derived from:		Weight:	Cod. Mold:	
	--		gr	--	
Description: KIT CONTENITORE MODULBOX XT 3MH53-B KIT ENCLOSURE MODULBOX XT 3MH53-B Drawing nr.: 3_250_00186					Rev.: - A2

NO COMPONENTS AREA