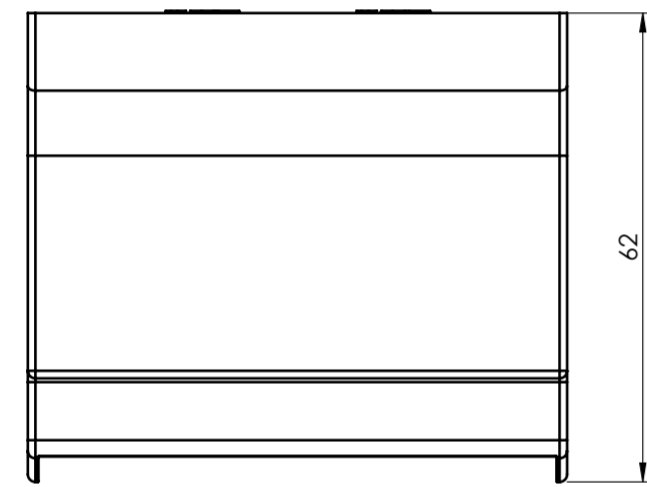
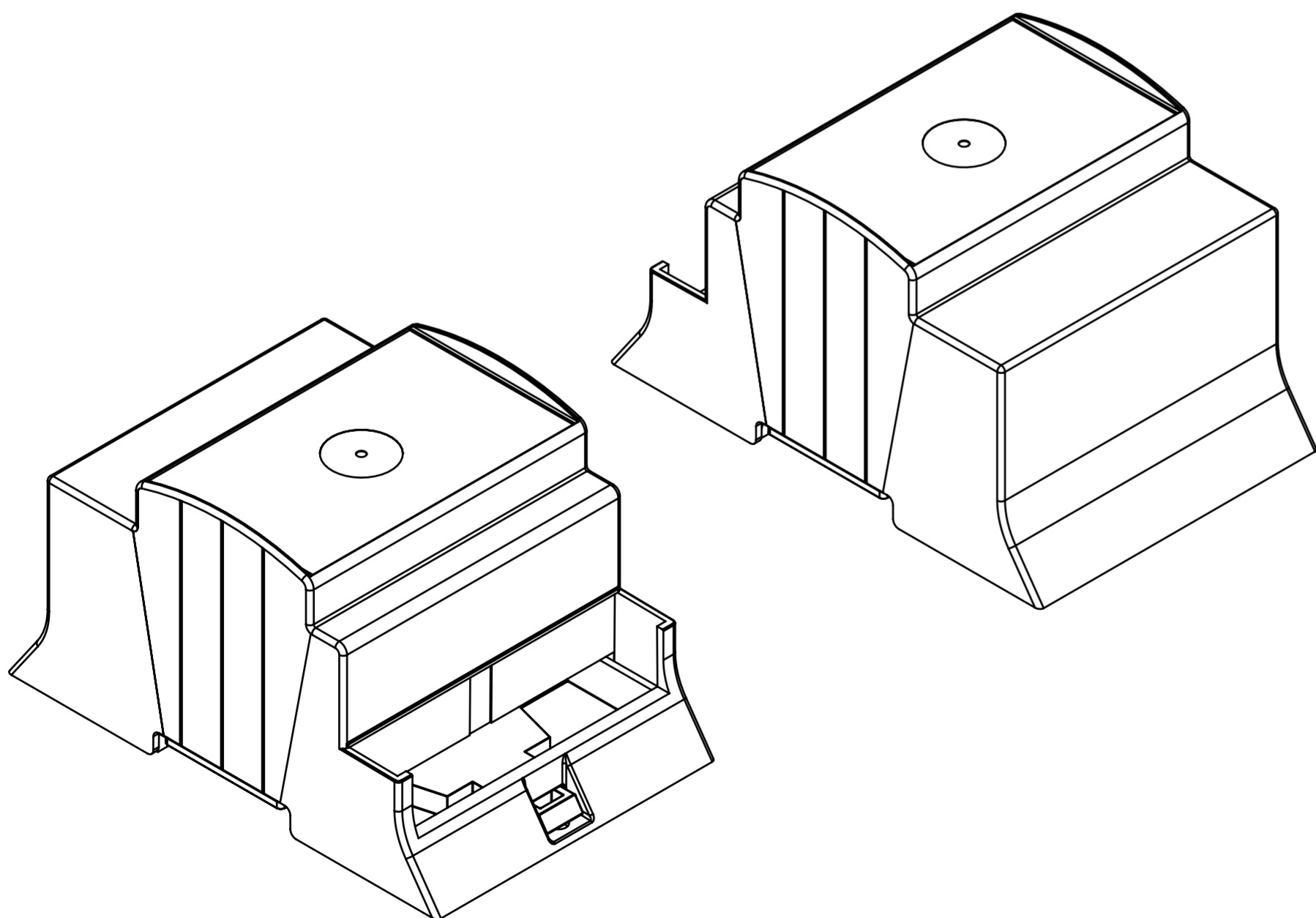
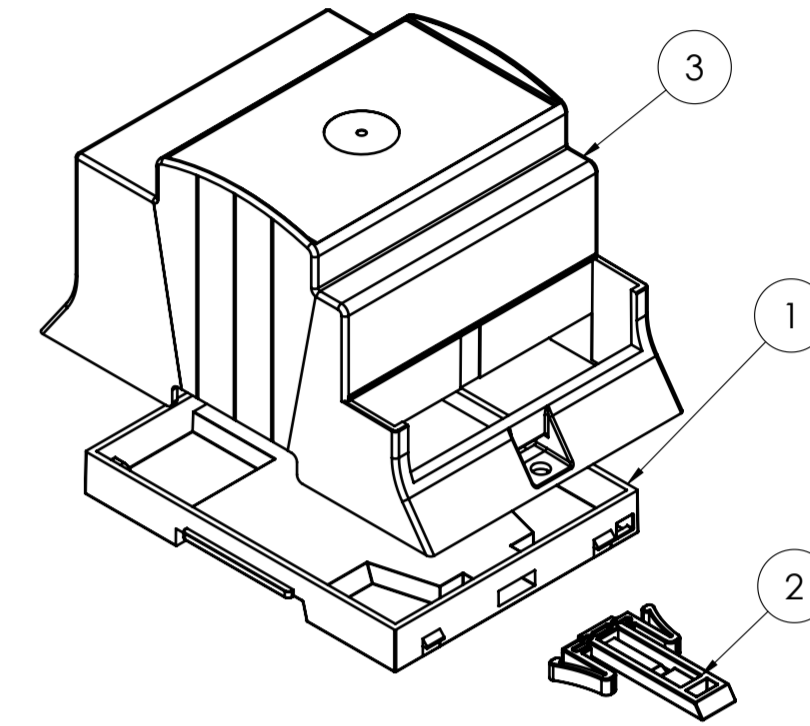
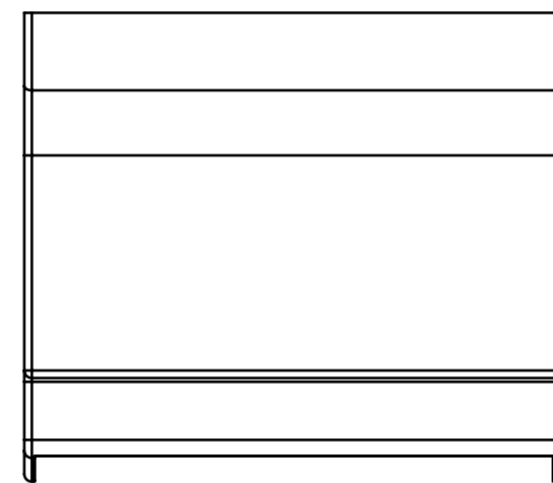
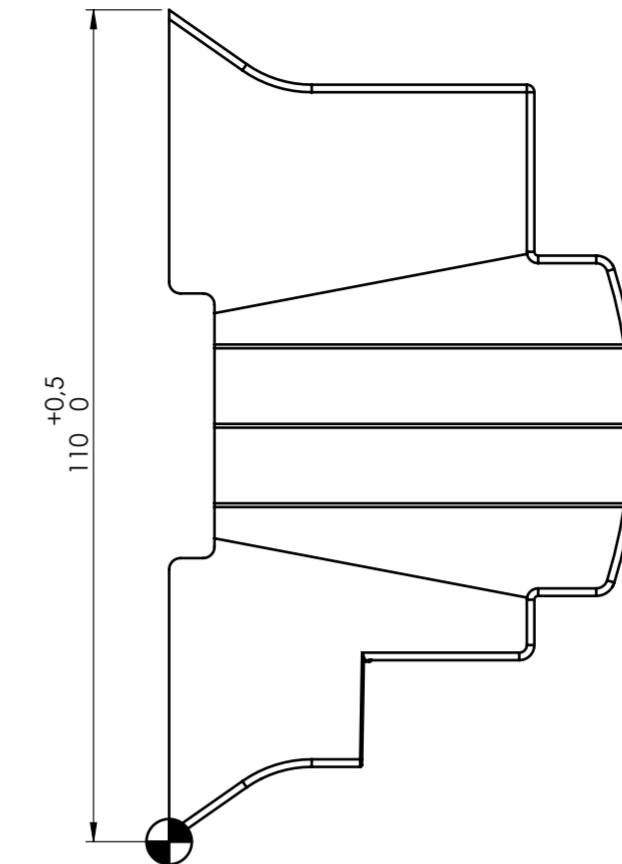
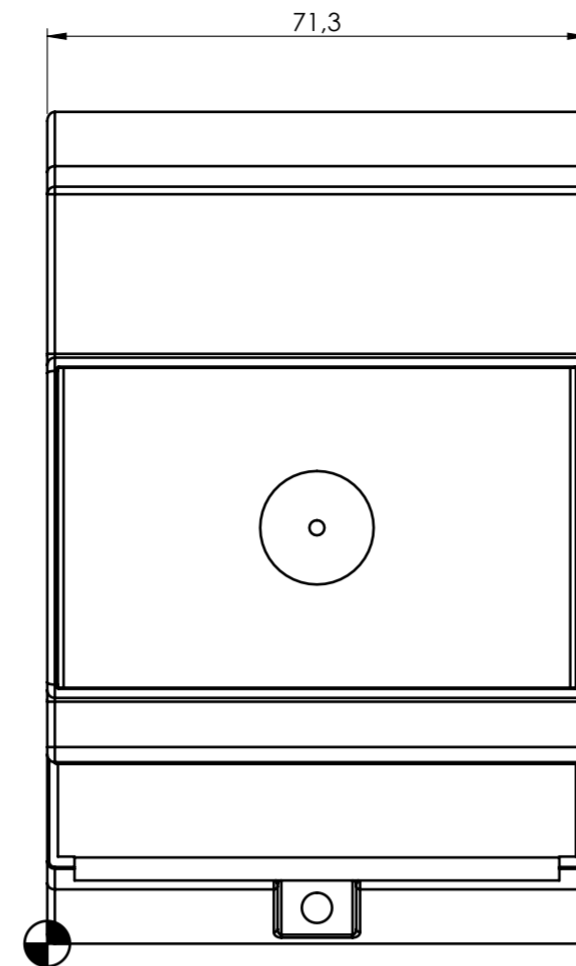


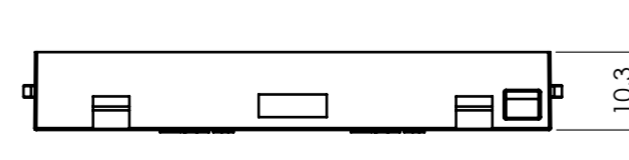
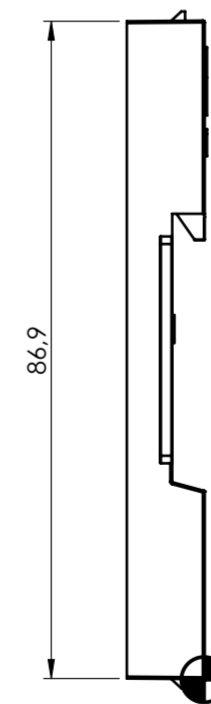
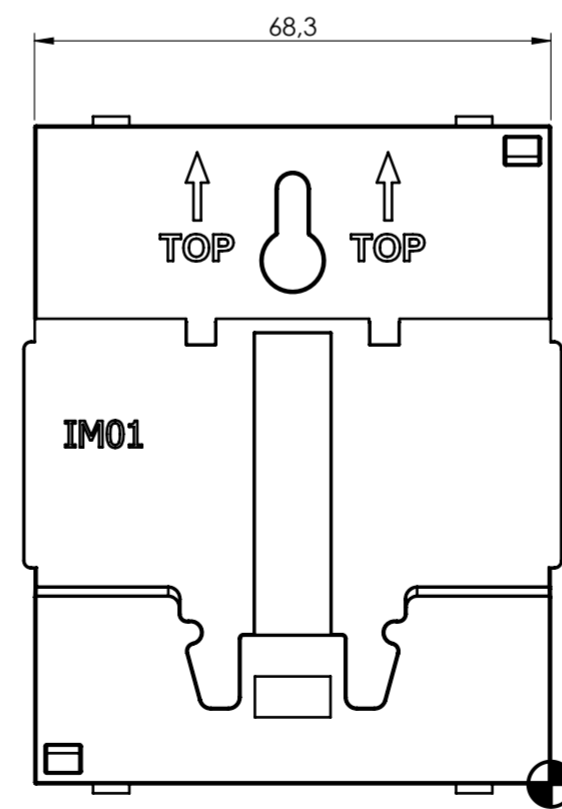
SECTION A-A



BODY ENCLOSURE

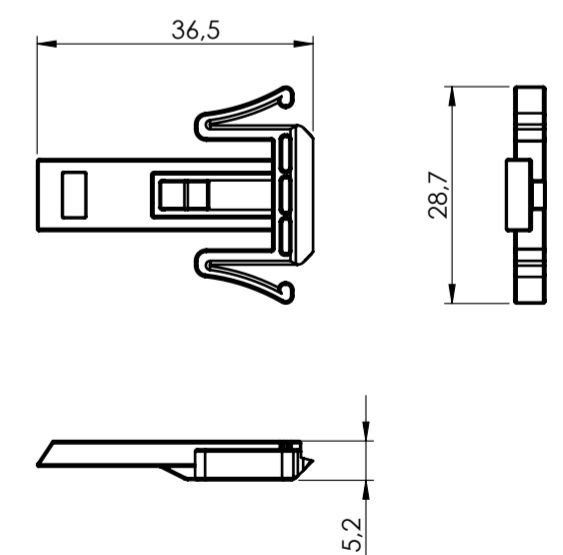


BASE



General information:
 - Workpiece zero point for mechanical processing
 - Minimum recommended radius for machining = R1.0 mm
 - Mounting rail like EN 60715: TH 35-15
 - Recommended PCB outline on www.italtronic.com

HOOK

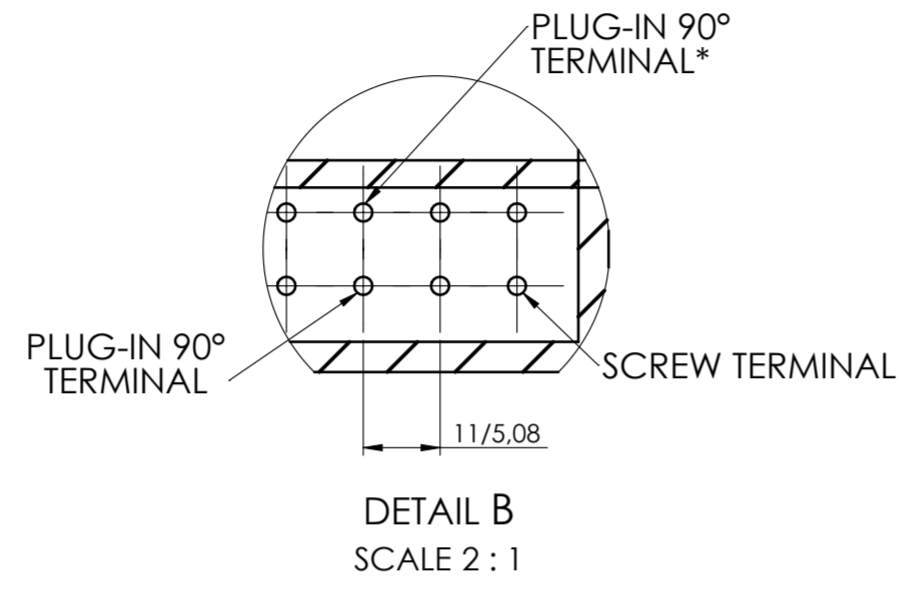
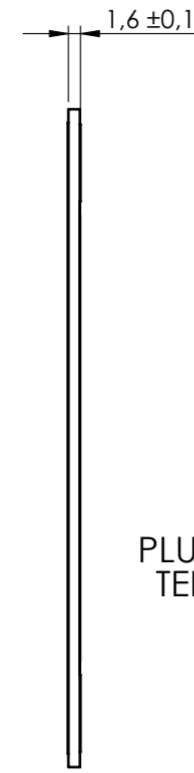
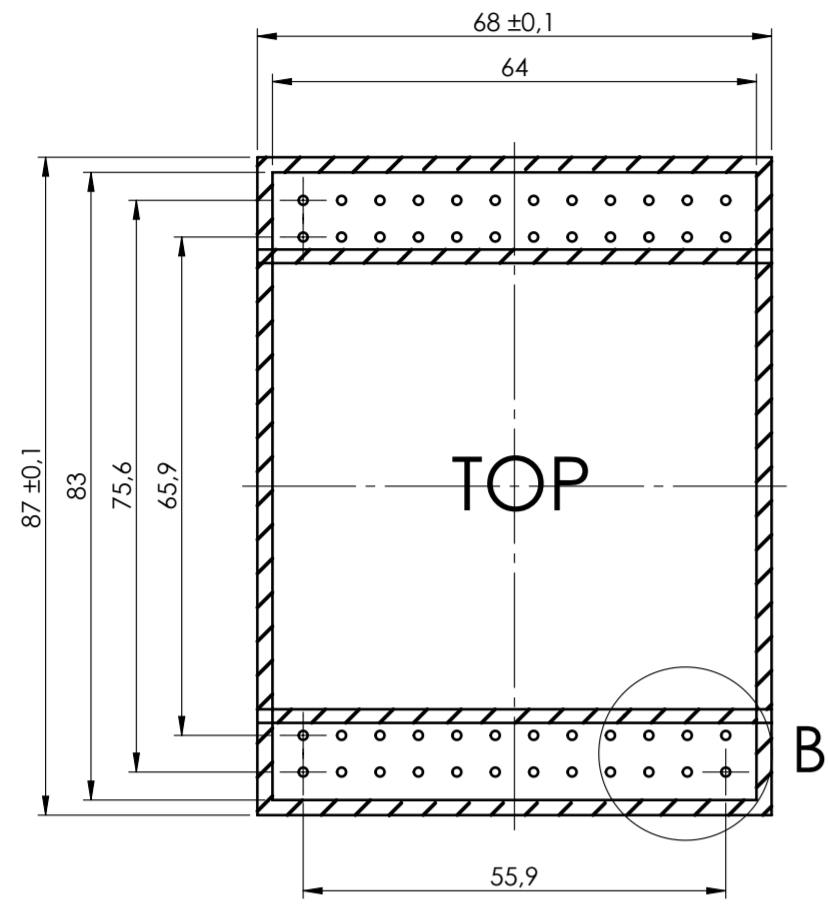


RIF.	Q.TY	DRAWING	DESCRIPTION
1	1	2_250_03633	BASE MODULBOX XT/XTS 4M
2	1	2_250_00072	HOOK FOR MODULBOX XT-XTS
3	1	2_250_03876	BODY ENCLOSURE MODULBOX XT 4MC53-A


General Tolerance UNI EN 22768/1 Media (m)						Sheet:
from 0.5 to 3	from 3 to 6	from 6 to 30	from 30 to 120	from 120 to 400		1
± 0.1	± 0.1	± 0.2	± 0.3	± 0.5		
Scale:	IM:	Drawn:	Checked:	Date:	Material:	Process:
1:1	--	F.E.	R.N.	10/10/2024		
Dimension in mm		Replaces the:		Derived from:	Weight:	Cod. Mold:
		M-04074		--	gr	--
 enclosures for electronics italtronic.com		Description:		Drawing nr.:		Rev.:
		KIT CONTENITORE MODULBOX XT 4MC53-A CHIUSO		3_250_00205		00 A2
		KIT ENCLOSURE MODULBOX XT 4MC53-A CLOSED				

PCB A

Max height of the terminal:
Modulbox XT/XTS: 18.5 mm



NO COMPONENTS AREA

General Tolerance UNI EN 22768/1 Media (m)						Sheet:
from 0.5 to 3 ± 0.1	from 3 to 6 ± 0.1	from 6 to 30 ± 0.2	from 30 to 120 ± 0.3	from 120 to 400 ± 0.5		PCB
Scale:	IM:	Drawn:	Checked:	Date:	Material:	Process:
1:1	--	F.E.	R.N.	10/10/2024		
Dimension in mm		Replaces the:		Derived from:	Weight:	Cod. Mold:
		M-04074		--	gr	--
 Description: KIT CONTENITORE MODULBOX XT 4MCS3-A CHIUSO KIT ENCLOSURE MODULBOX XT 4MCS3-A CLOSED Drawing nr.: 3_250_00205						Rev.: 00
						A2