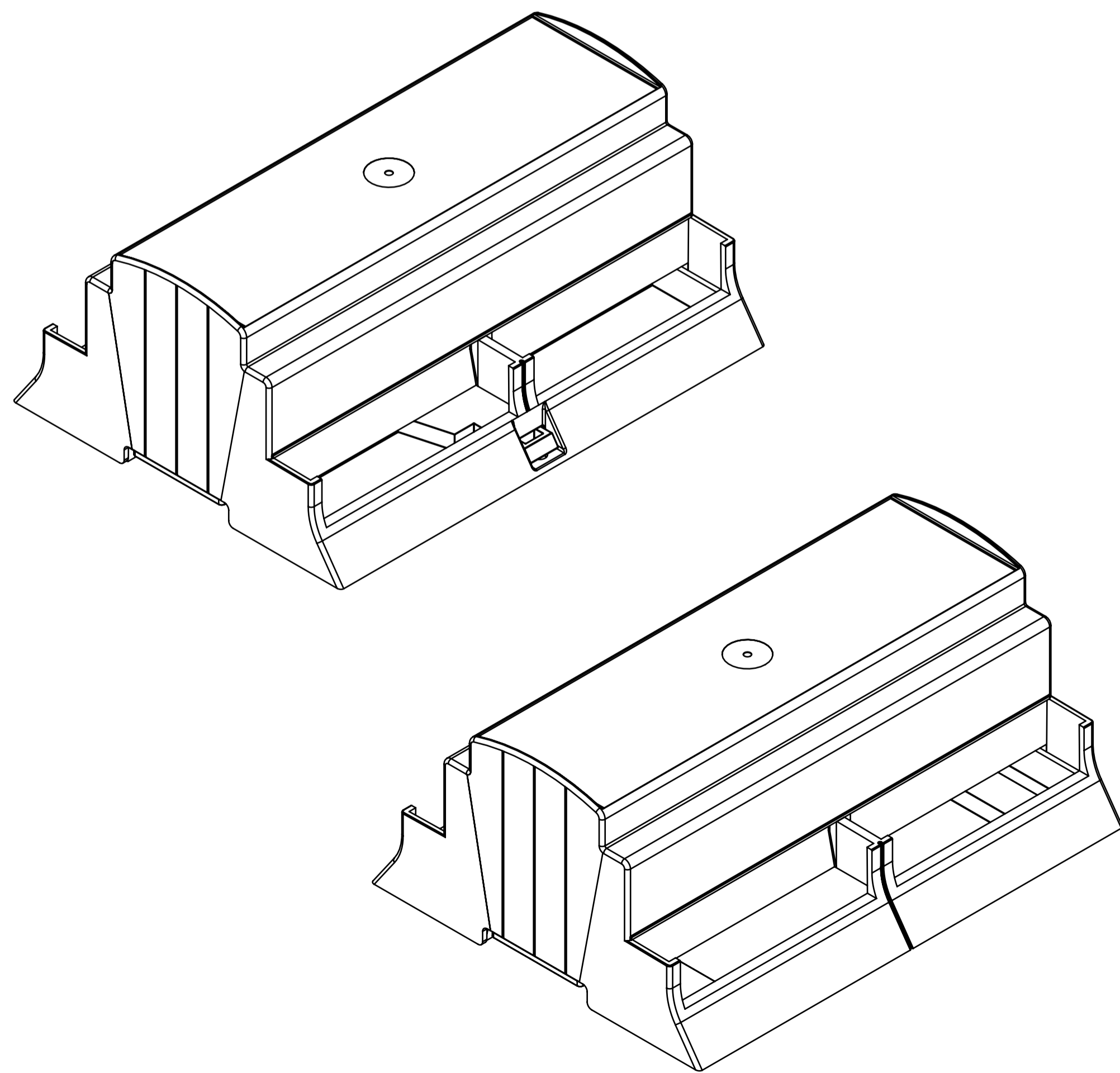
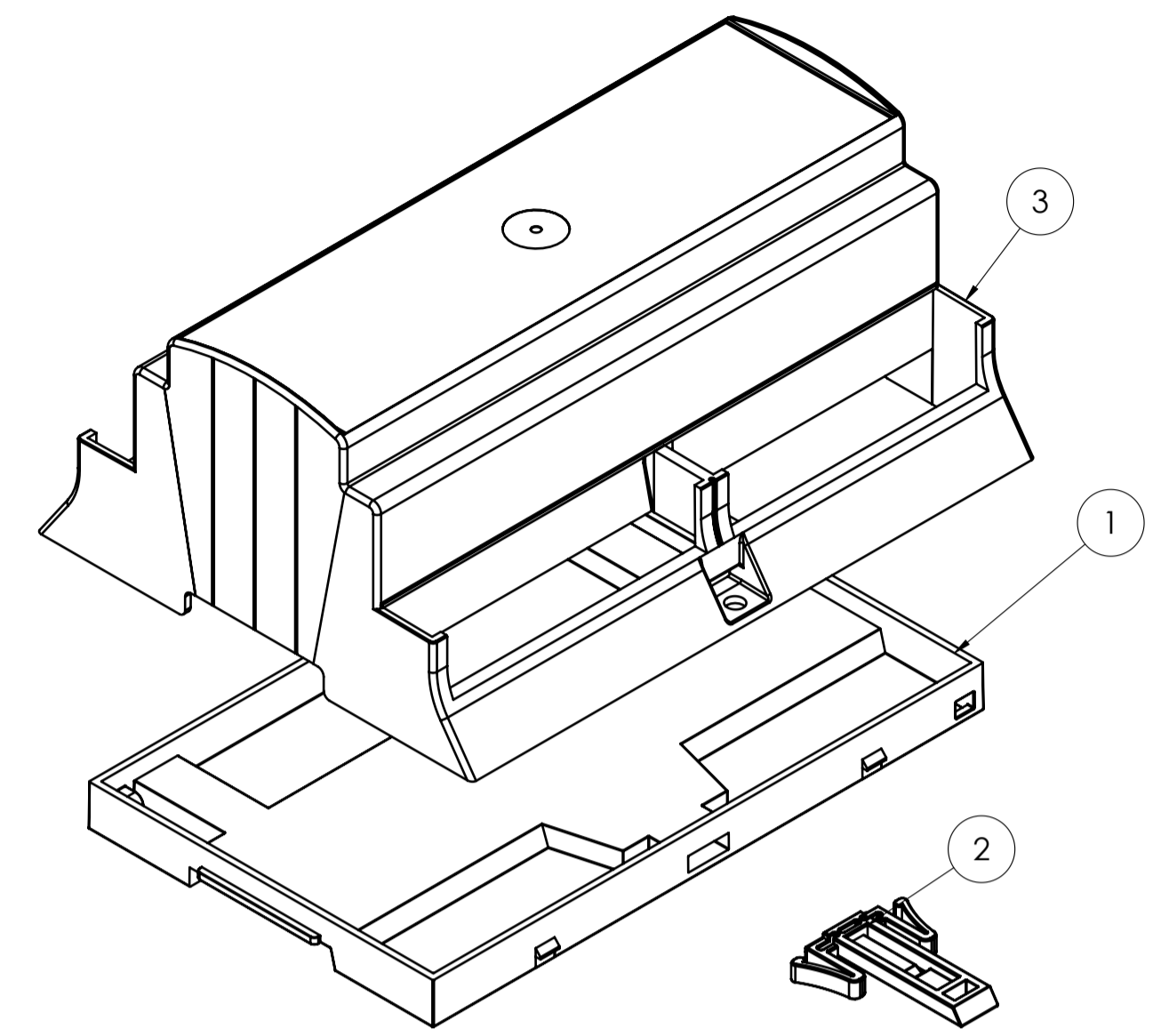
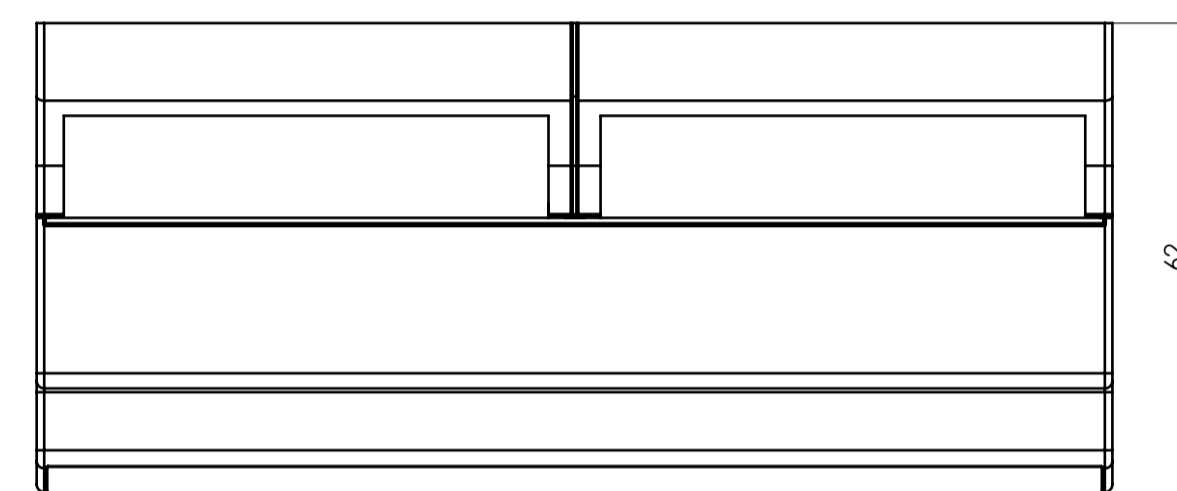
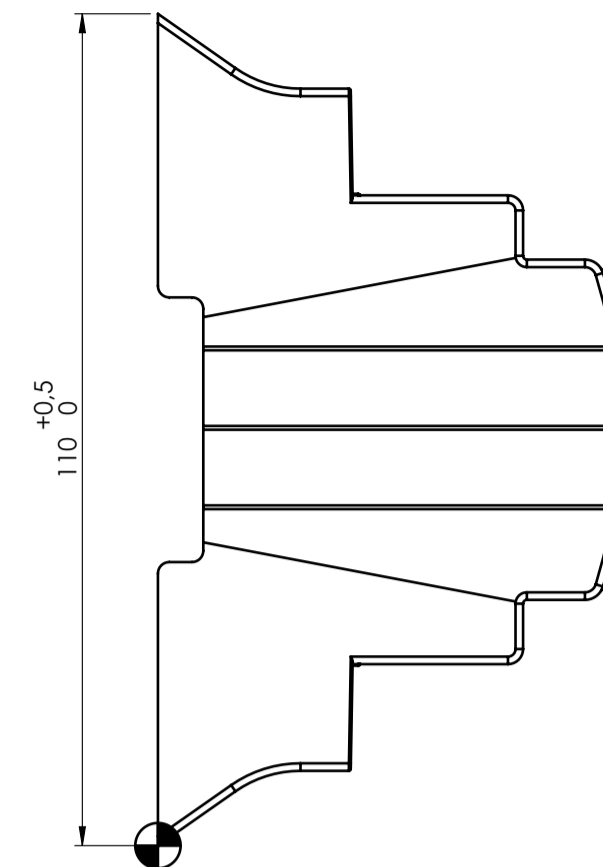
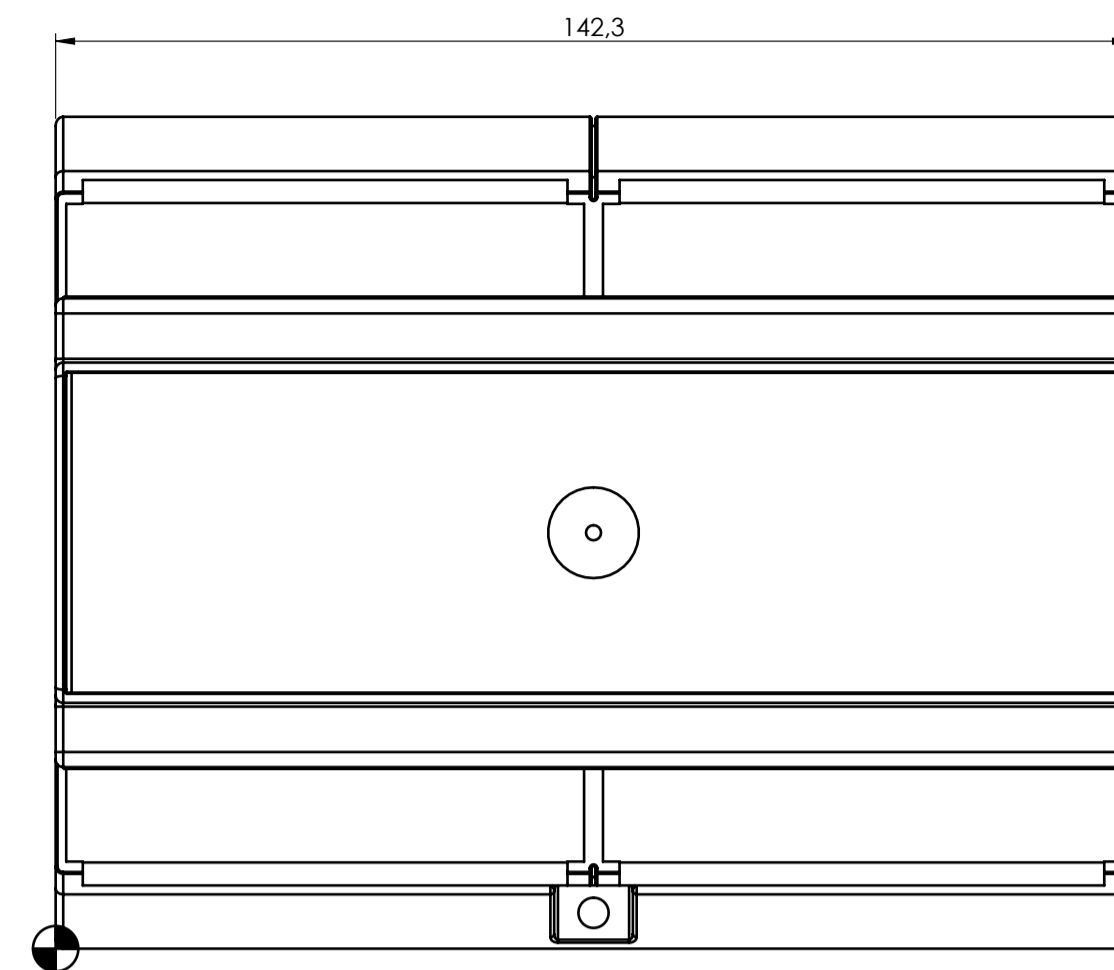
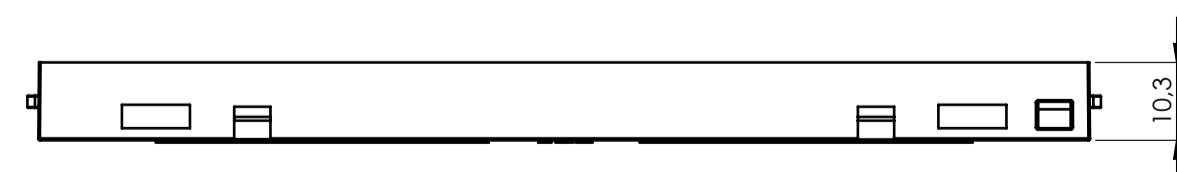
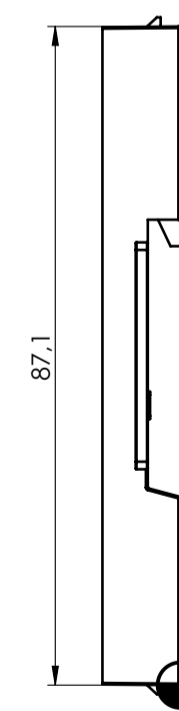
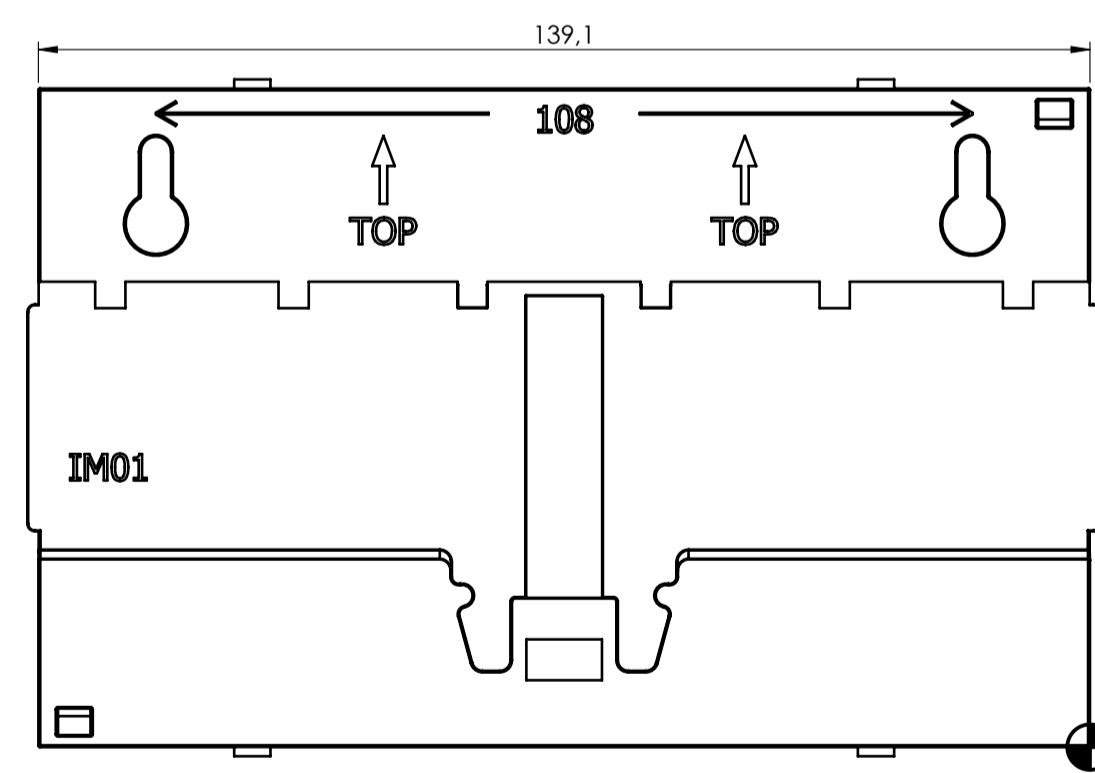


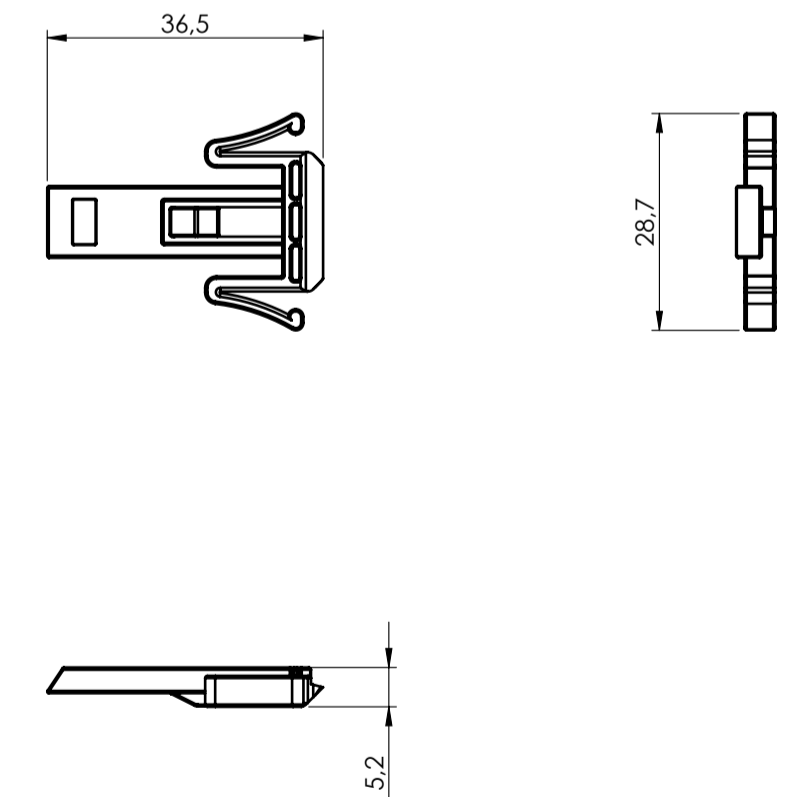
BODY ENCLOSURE



BASE



HOOK



General information:  
 - Workpiece zero point for mechanical processing  
 - Minimum recommended radius for machining = R1.0 mm  
 - Mounting rail like EN 60715; TH 35-15  
 - Recommended PCB outline on [www.italtronic.com](http://www.italtronic.com)

RIF.	Q.TY	DRAWING	DESCRIPTION	Sheet
1	1	2_250_03649	BASE MODULBOX XT/XTS - 8M	1
2	1	2_250_00072	HOOK FOR MODULBOX XT-XTS	1
3	1	2_250_03849	BODY MODULBOX XTS 8MCS3-A CLOSED	1

Dimension in mm	from 0.5 to 3	from 3 to 6	from 6 to 30	from 30 to 120	from 120 to 400
General Tolerance (UNE EN 22768/1 Medio [m])	± 0.1	± 0.1	± 0.2	± 0.3	± 0.5

Scale:	Drawn:	Checked:	Date:	Material:	Process:
1:1	M.S.	R.N.	22/11/2023		

Description:	Weight:	Cod. Mold:
KIT CONTENITORE MODULBOX XT 8MCS3-A CHIUSO KIT ENCLOSURE MODULBOX XT 8MCS3-A CLOSED	gr	--

Rev.:	Rev.:
-	-

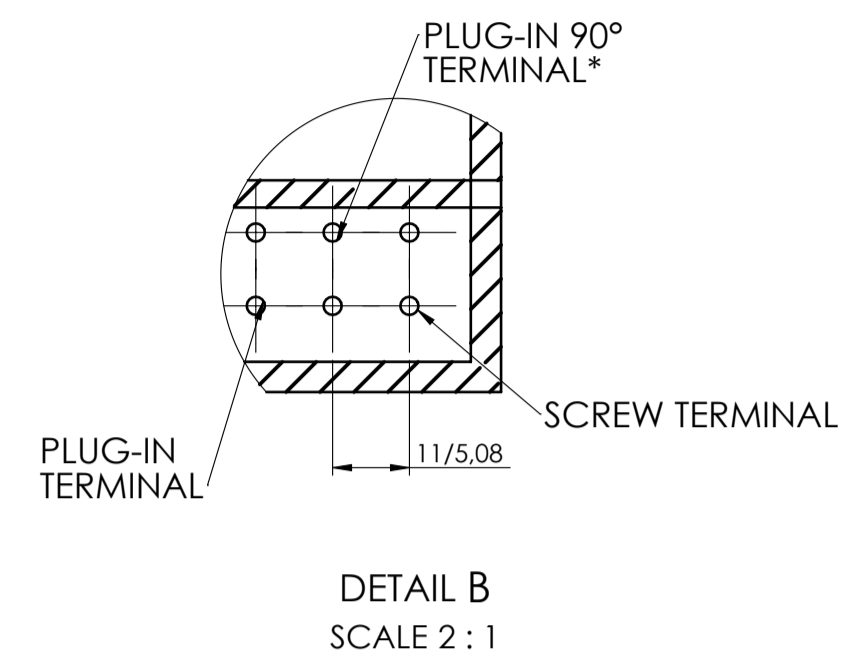
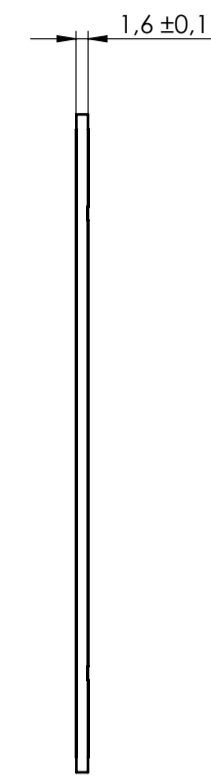
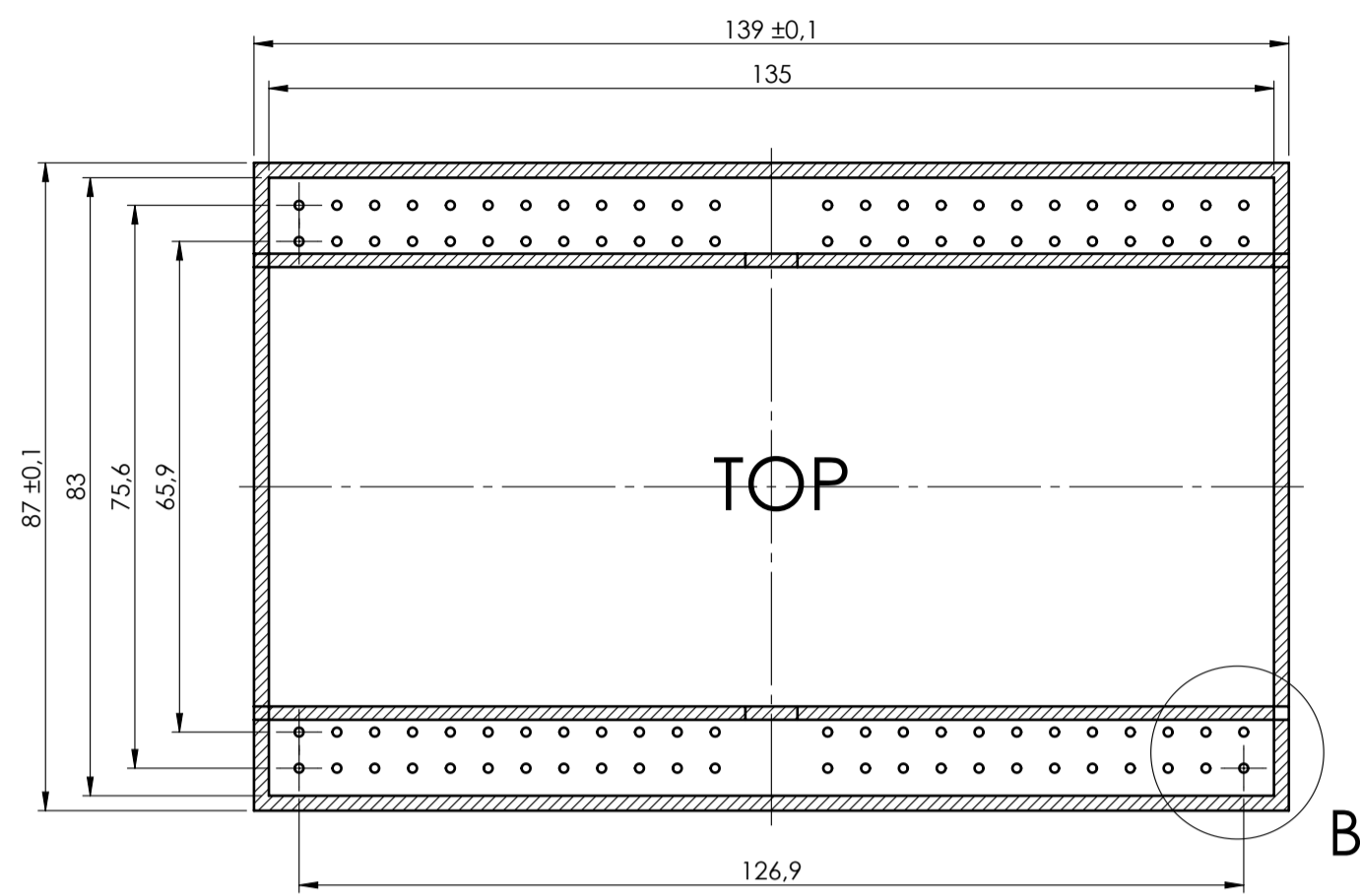
  

italtronic  
 enclosures for electronics  
[www.italtronic.com](http://www.italtronic.com)  
 3\_250\_00184  
 A1

16 15 14 13 12 11 10 9 8 7 6 5 4 3 2 1

Max height of the terminal:  
Modulbox XT/XTS: 18.5 mm  
Modulbox ONE: 20 mm

PCB A



L

K

J

H

G

F

E

D

C

B

A

General Tolerance IIR EN 22768/1 Media [m]					Sheet:
from 0.5 to 3 ± 0.1	from 3 to 6 ± 0.1	from 6 to 30 ± 0.2	from 30 to 120 ± 0.3	from 120 to 400 ± 0.5	PCB
Scale:	Drawn:	Checked:	Date:	Material:	Process:
1:1	M.S.	R.N.	22/11/2023		
Dimension in mm	Derived from:		Weight:	Cod. Mold:	
			gr	--	
					Description: KIT CONTENITORE MODULBOX XT 8MC53-A CHIUSO KIT ENCLOSURE MODULBOX XT 8MC53-A CLOSED Drawing n°: <b>3_250_00184</b>
					Rev: --
					A1

NO COMPONENTS AREA

16 15 14 13 12 11 10 9 8 7 6 5 4 3 2 1