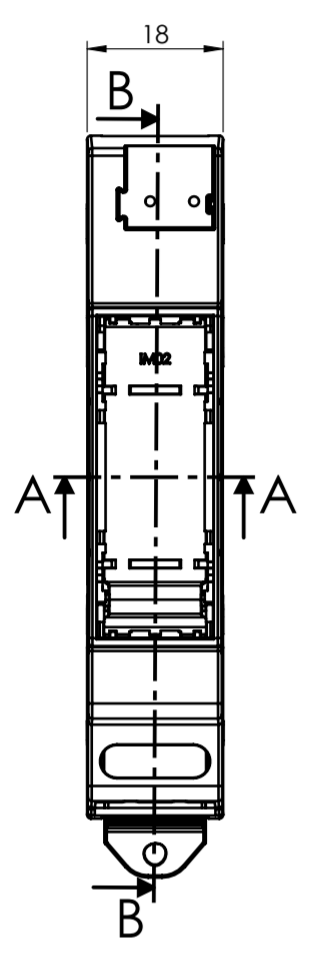
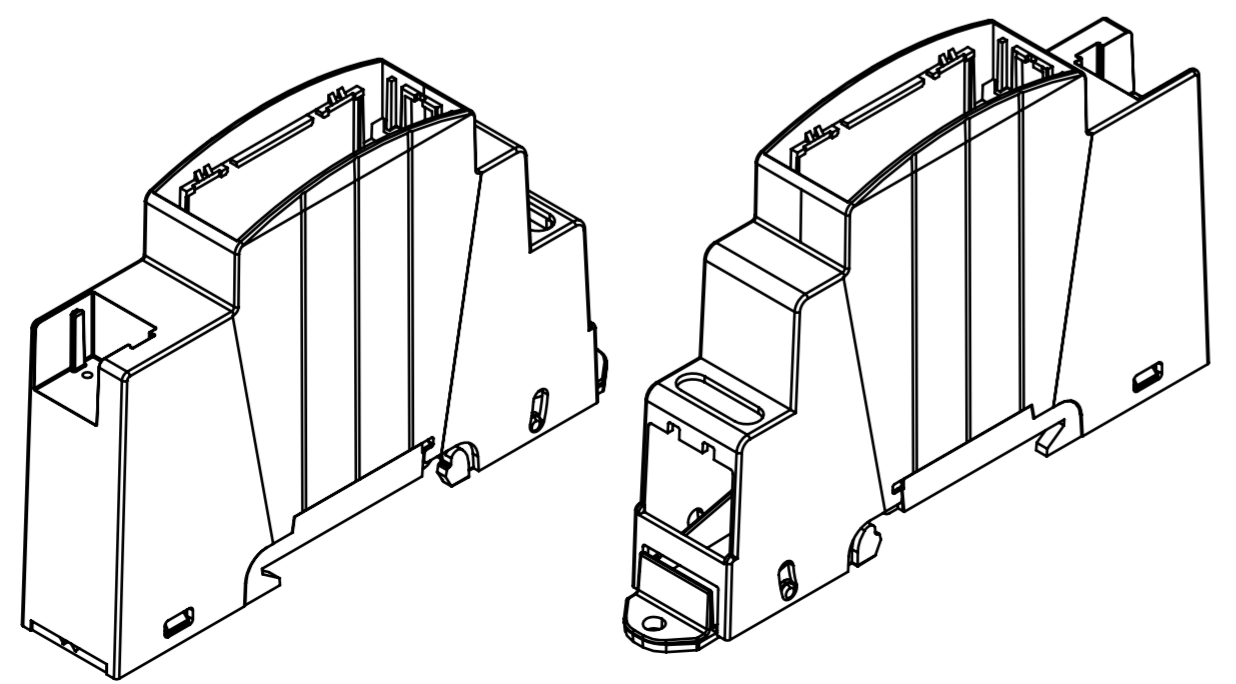
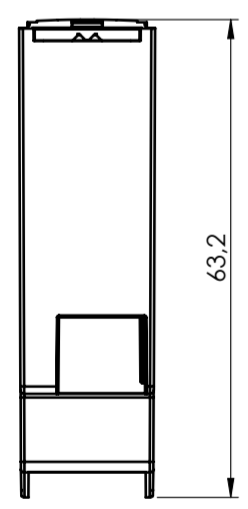
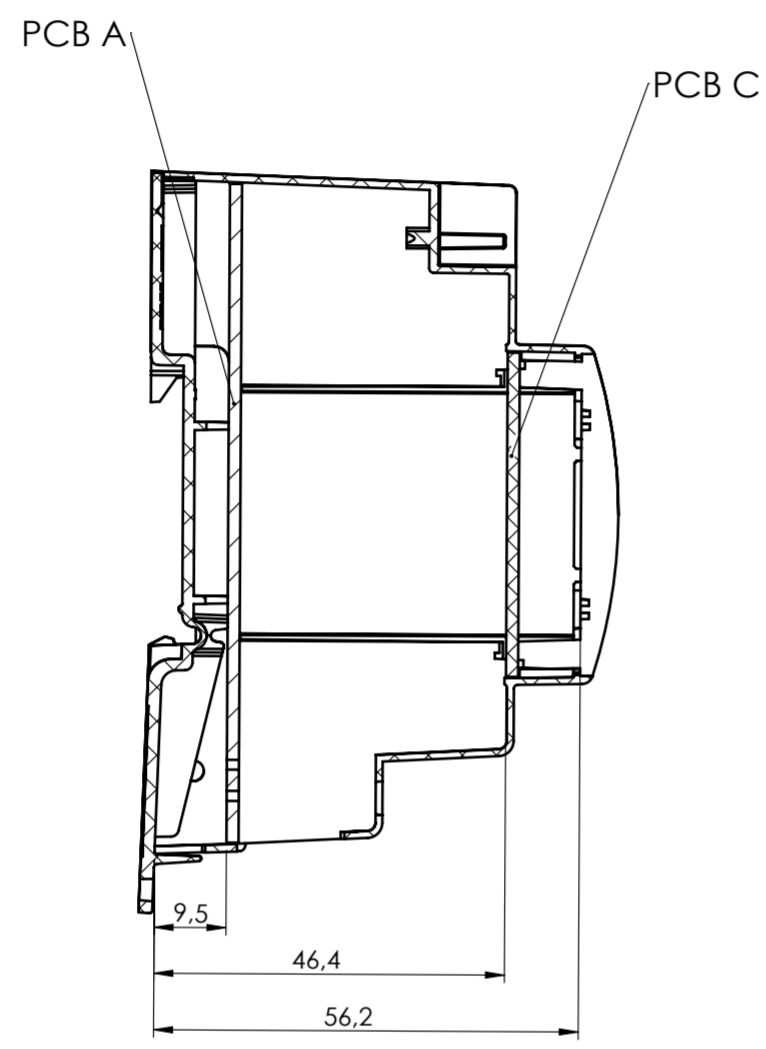


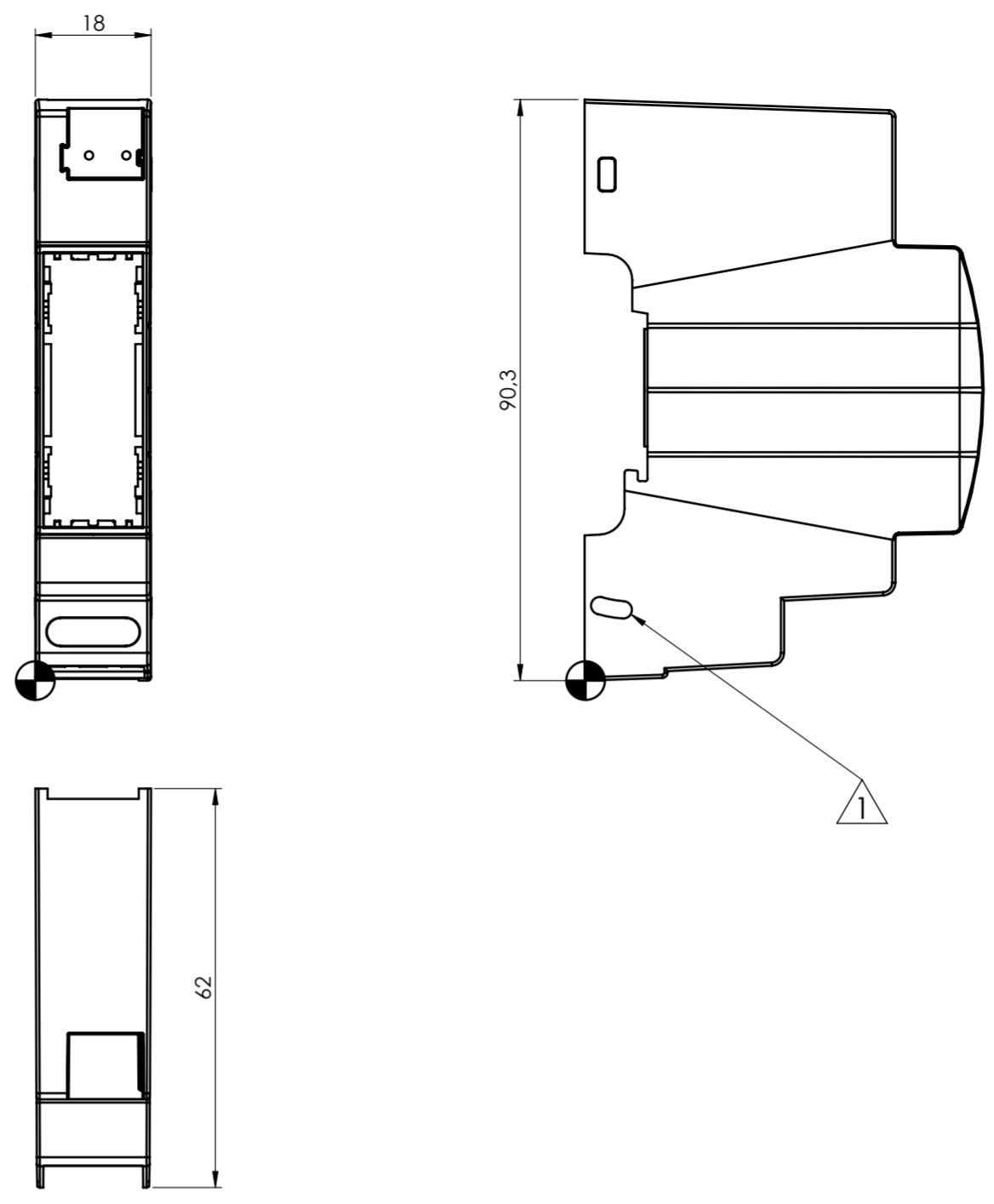
SECTION A-A



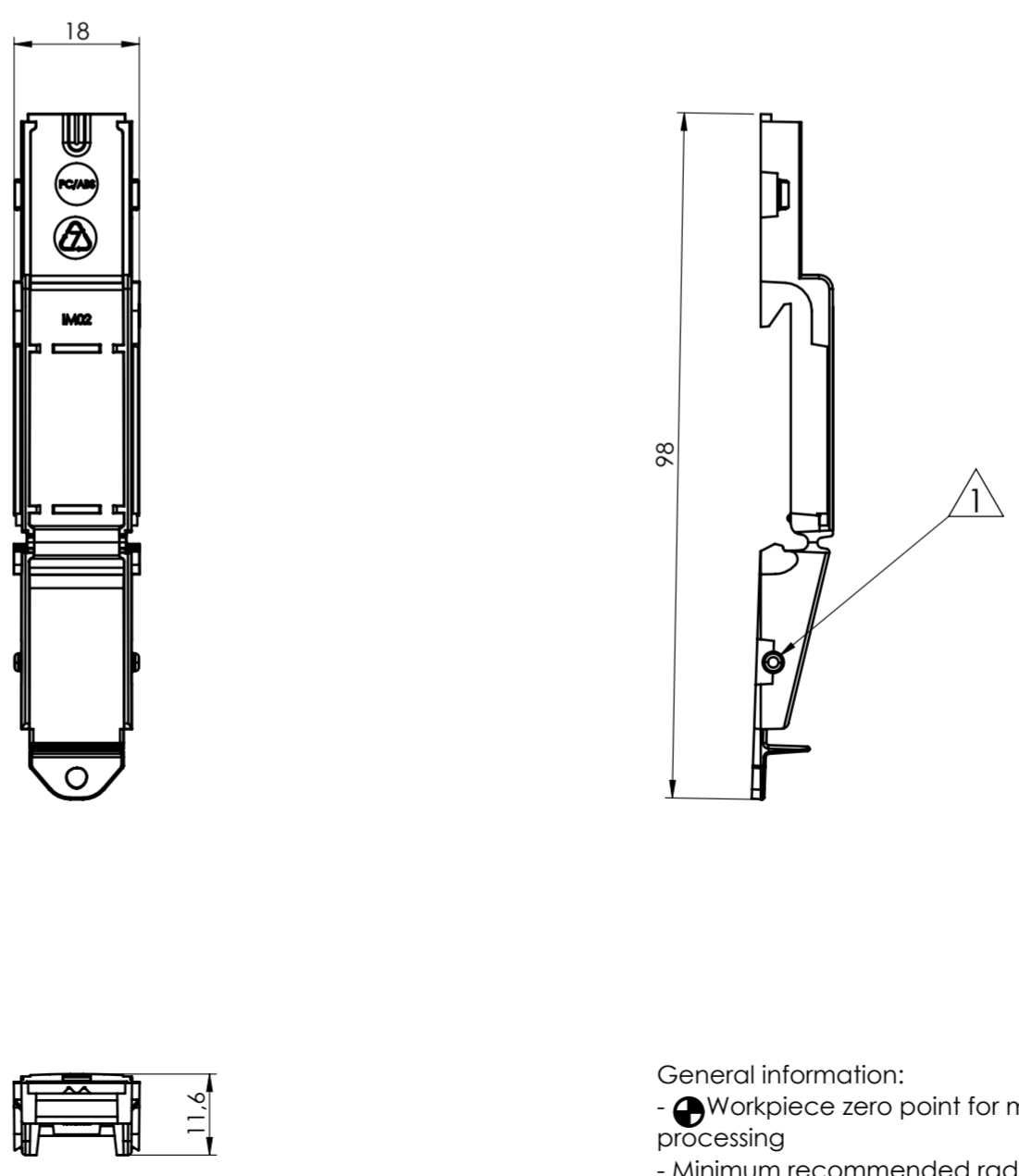
SECTION B-B



BODY ENCLOSURE

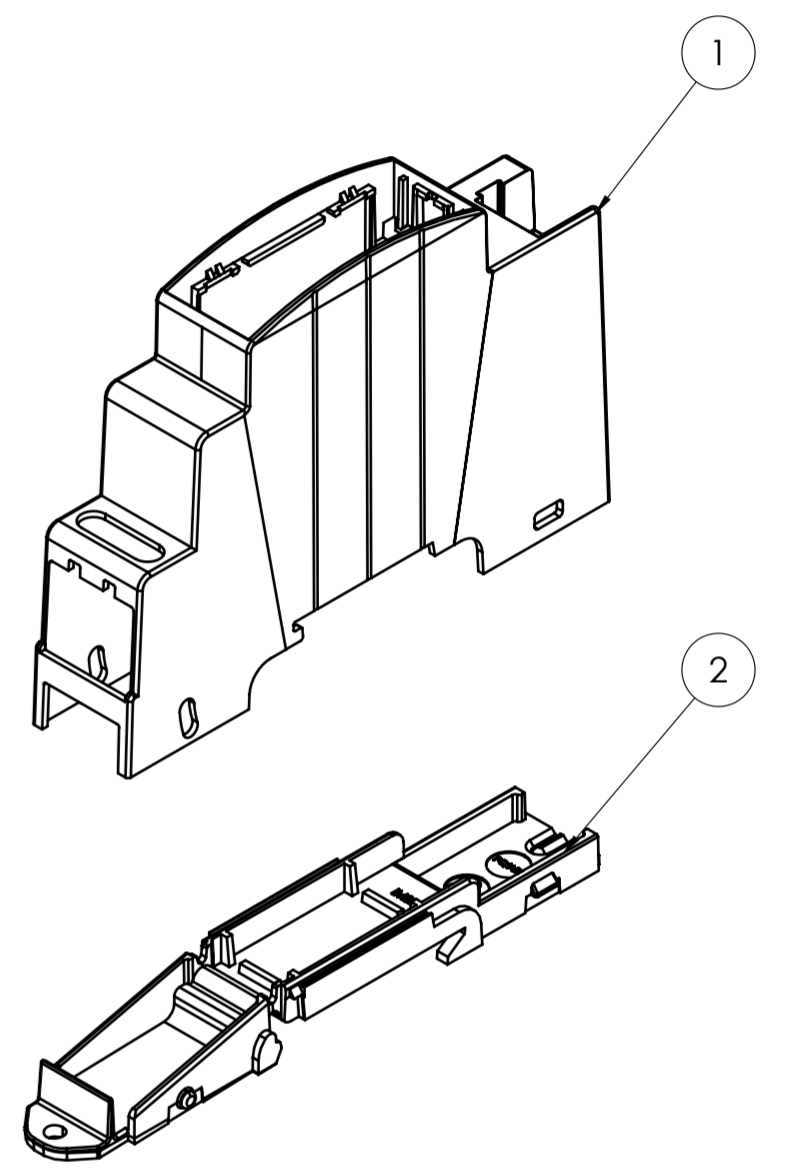


BASE



General information:
 - Workpiece zero point for mechanical processing
 - Minimum recommended radius for machining = R1.0 mm
 - Mounting rail like EN 60715: TH 35-7.5 or TH 35-15
 - Recommended PCB outline on www.italtronic.com

Revisions			
Rev.	Description	Date	Mod. by
1	Modificato il sistema di aggancio della base.	13/06/2024	M.S.

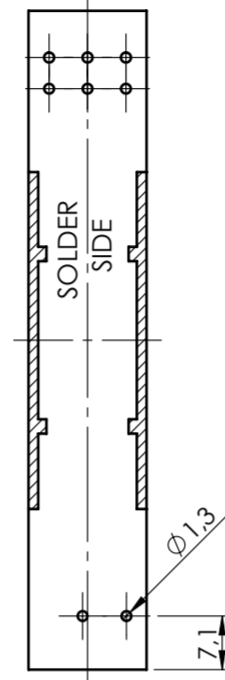
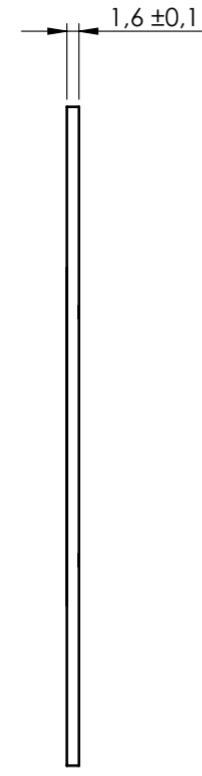
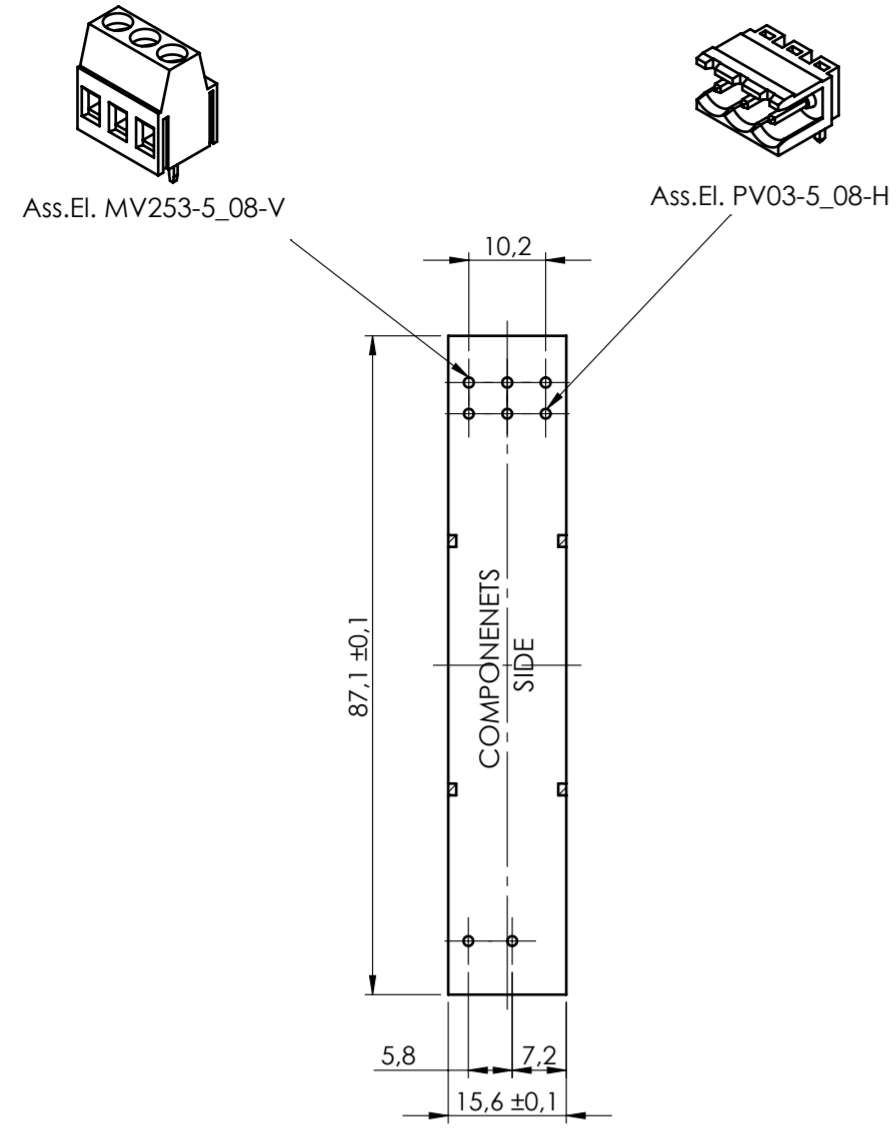


RIF.	Q.TY	DRAWING	DESCRIPTION
1	1	2_250_00173	BODY ENCLOSURE MODULBOX XTS 1M53-B1F KNX
2	1	2_250_00092	BASE MODULBOX XTS 1M

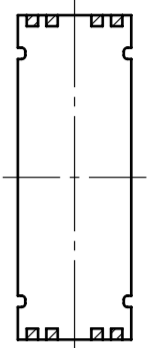
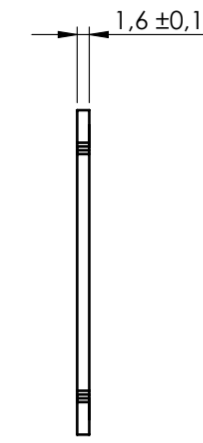
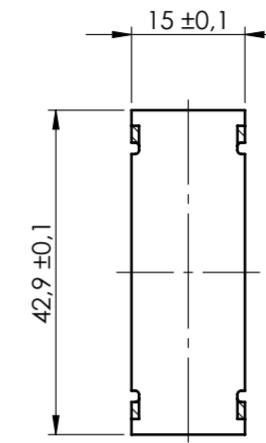
General Tolerance UNI EN 22768/1 Media (m)						Sheet:
from 0.5 to 3	from 3 to 6	from 6 to 30	from 30 to 120	from 120 to 400		1
± 0.1	± 0.1	± 0.2	± 0.3	± 0.5		
Scale:	IM:	Drawn:	Checked:	Date:	Material:	Process:
1:1	--	M.S.	R.N.	18/07/2023		
Dimension in mm		Replaces the:		Derived from:	Weight:	Cod. Mold:
		M-06131-00		--	gr	--

		Description: KIT CONTENITORE MODULBOX XTS 1M53-B1FKNX KIT ENCLOSURE MODULBOX XTS 1M53-B1FKNX		Rev.:	01	A2
italtronic.com		Drawing nr.: 3_250_00144				

PCB A KNX



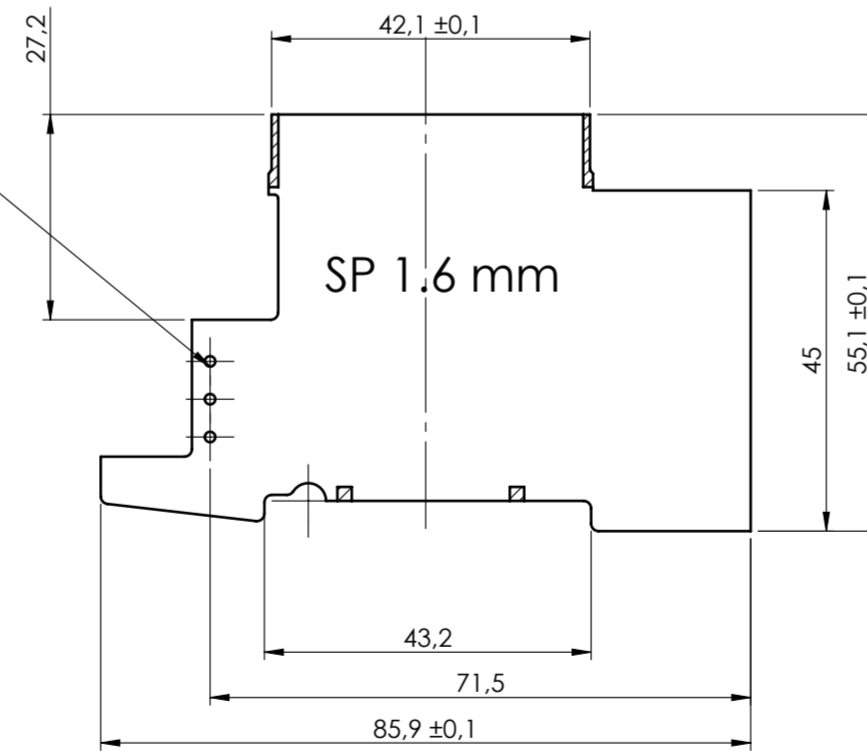
PCB C



PCB V



Phoenix Contact
MKDSO 2.5/ 3,5
Dinkle 5ES-3P



General Tolerance UNI EN 22768/1 Media (m)					Sheet:
from 0.5 to 3 ± 0.1	from 3 to 6 ± 0.1	from 6 to 30 ± 0.2	from 30 to 120 ± 0.3	from 120 to 400 ± 0.5	PCB
Scale: 1:1	IM: --	Drawn: M.S.	Checked: R.N.	Date: 18/07/2023	Process:
Dimension in mm		Replaces the: M-06131-00		Weight: gr	Cod. Mold: --
 enclosures for electronics italtronic.com		Description: KIT CONTENITORE MODULBOX XTS 1MS3-B1FKNX KIT ENCLOSURE MODULBOX XTS 1MS3-B1FKNX Drawing nr.: 3_250_00144			Rev.: 01 A2

NO COMPONENTS AREA