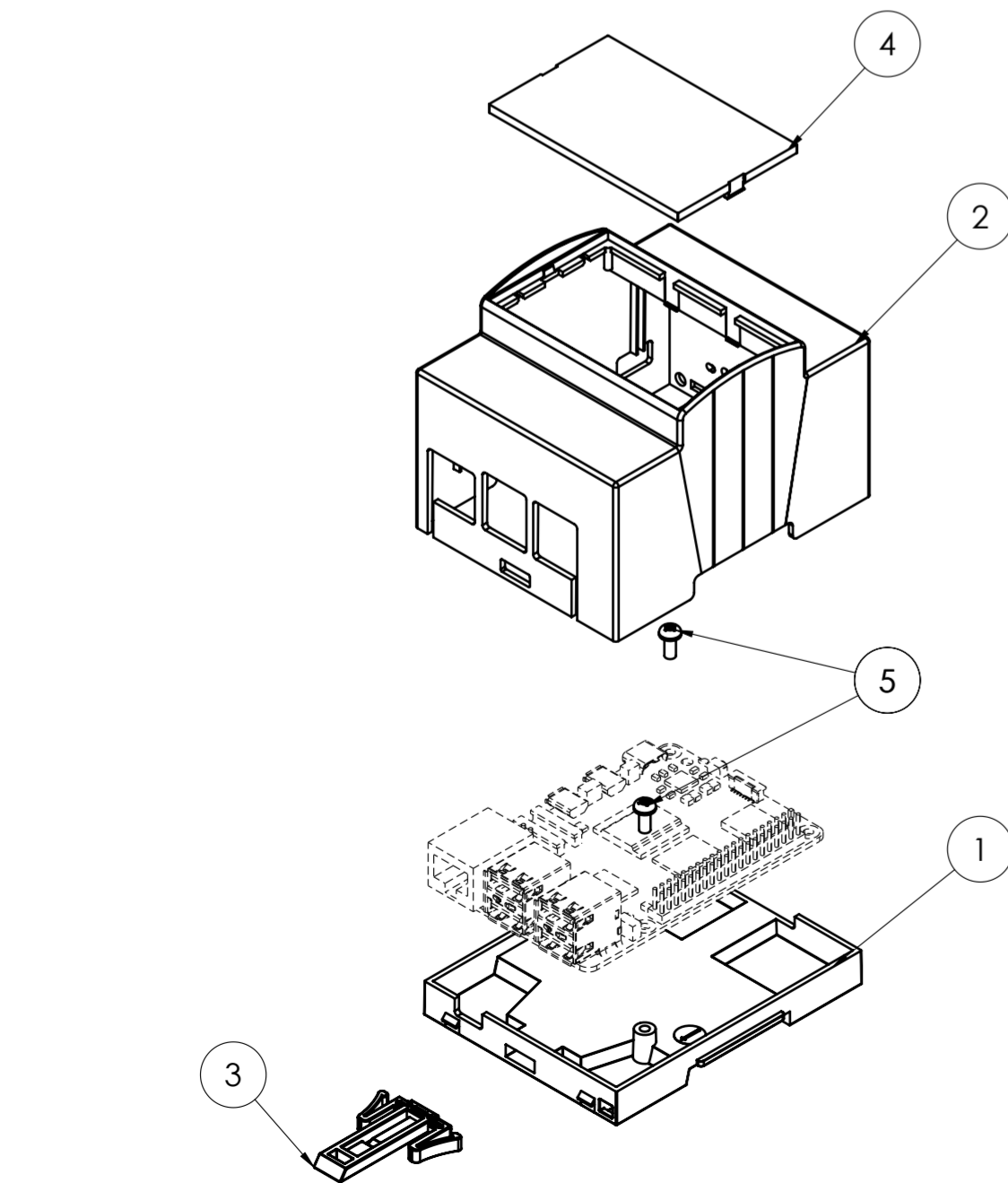
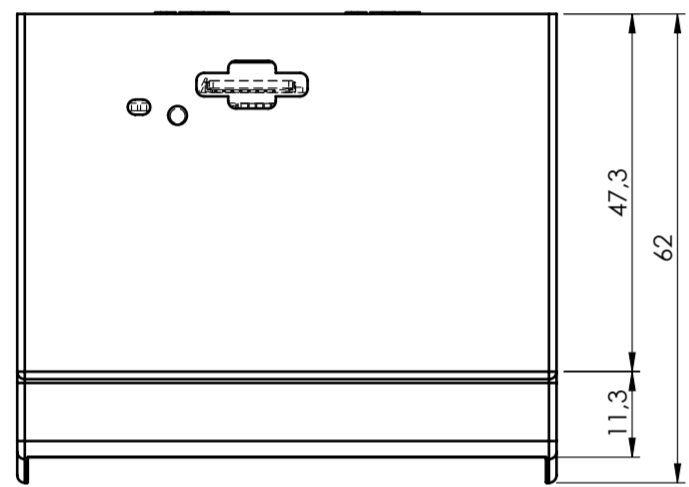
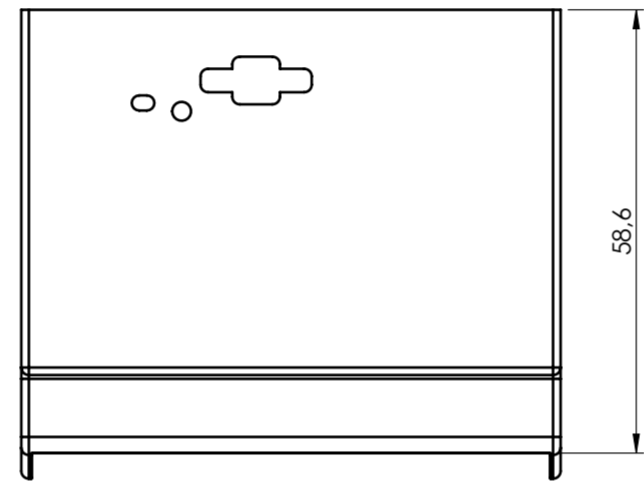
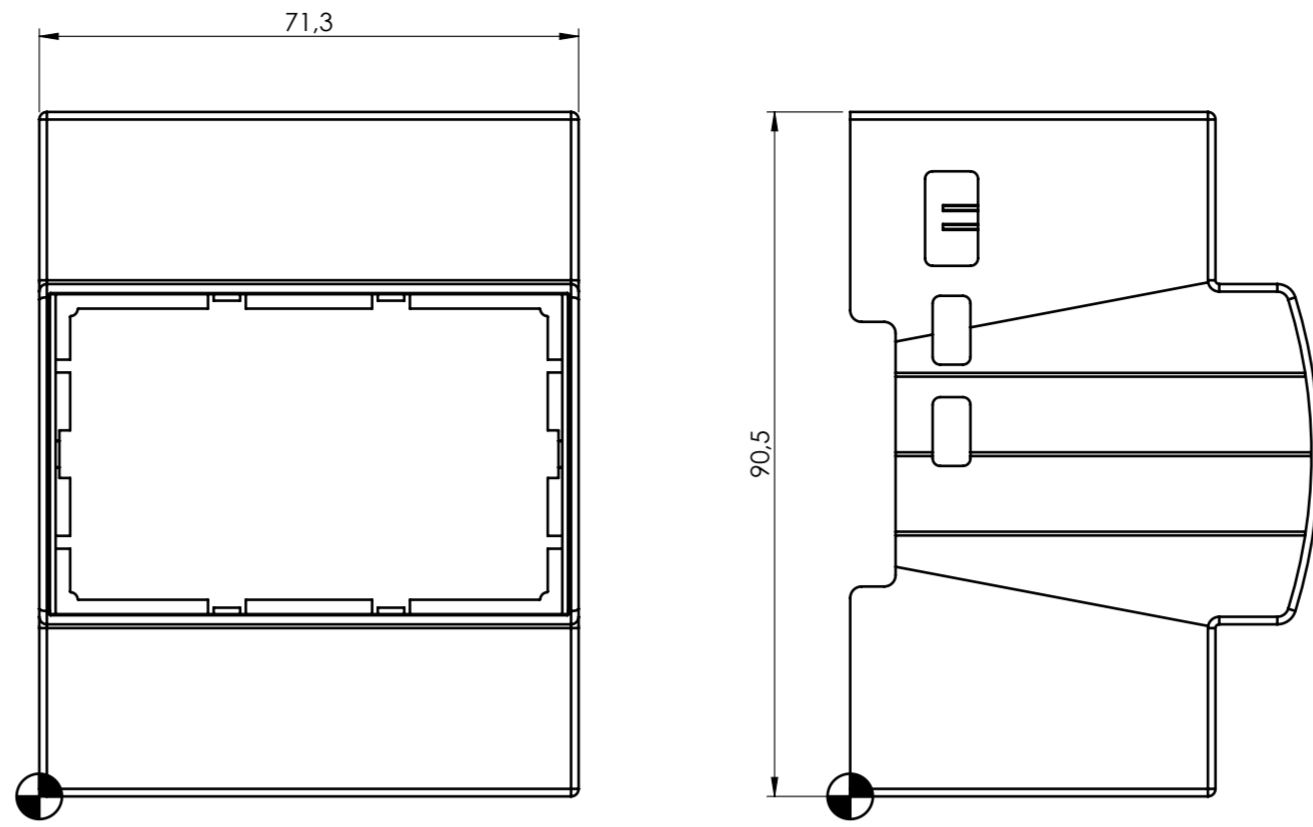


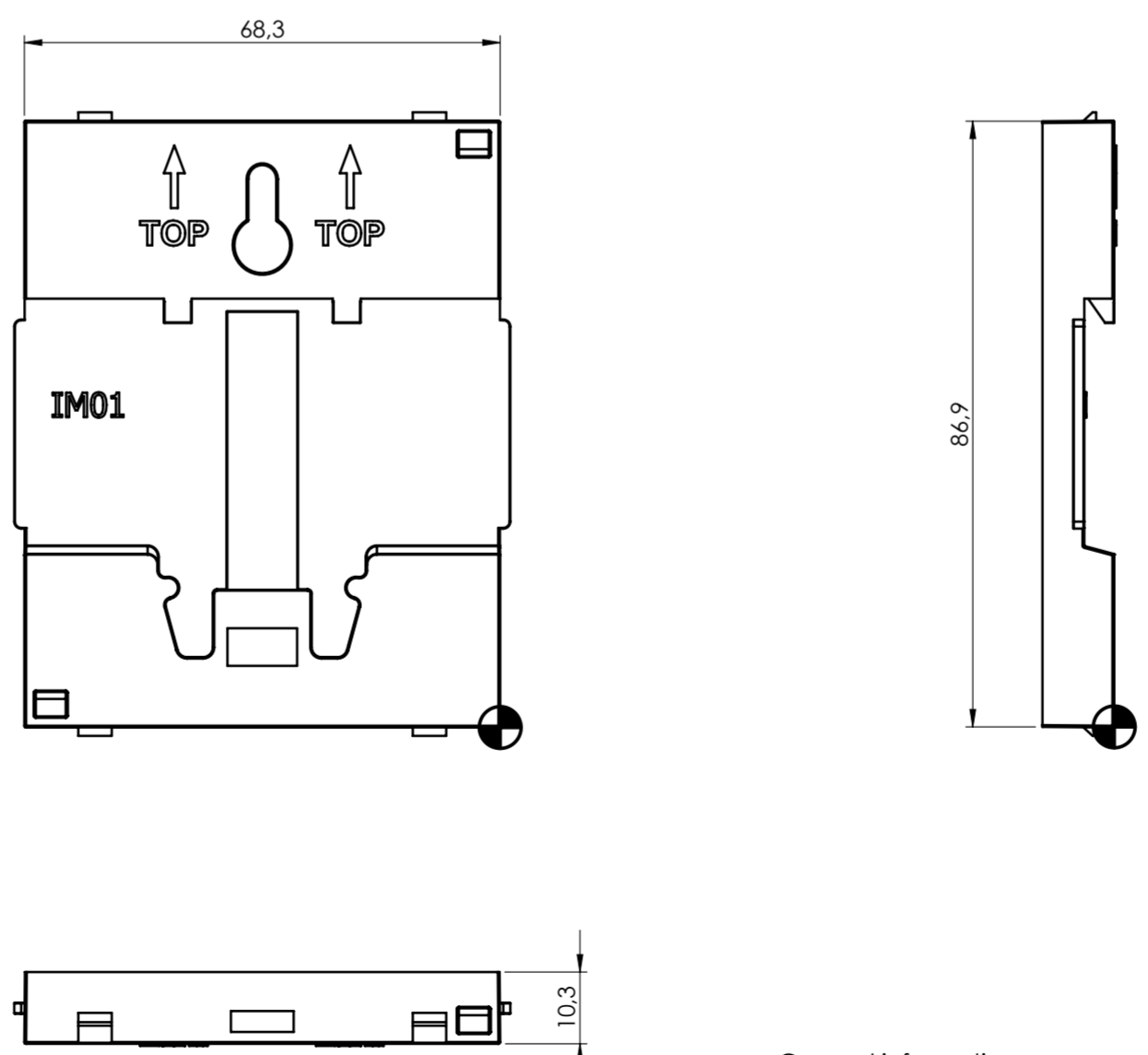
SECTION A-A



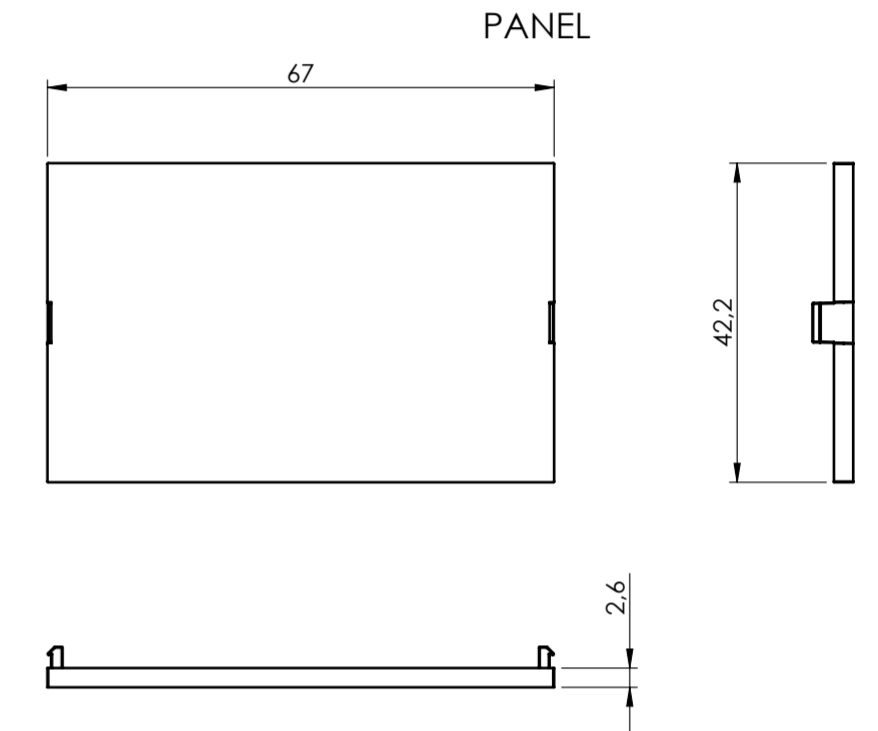
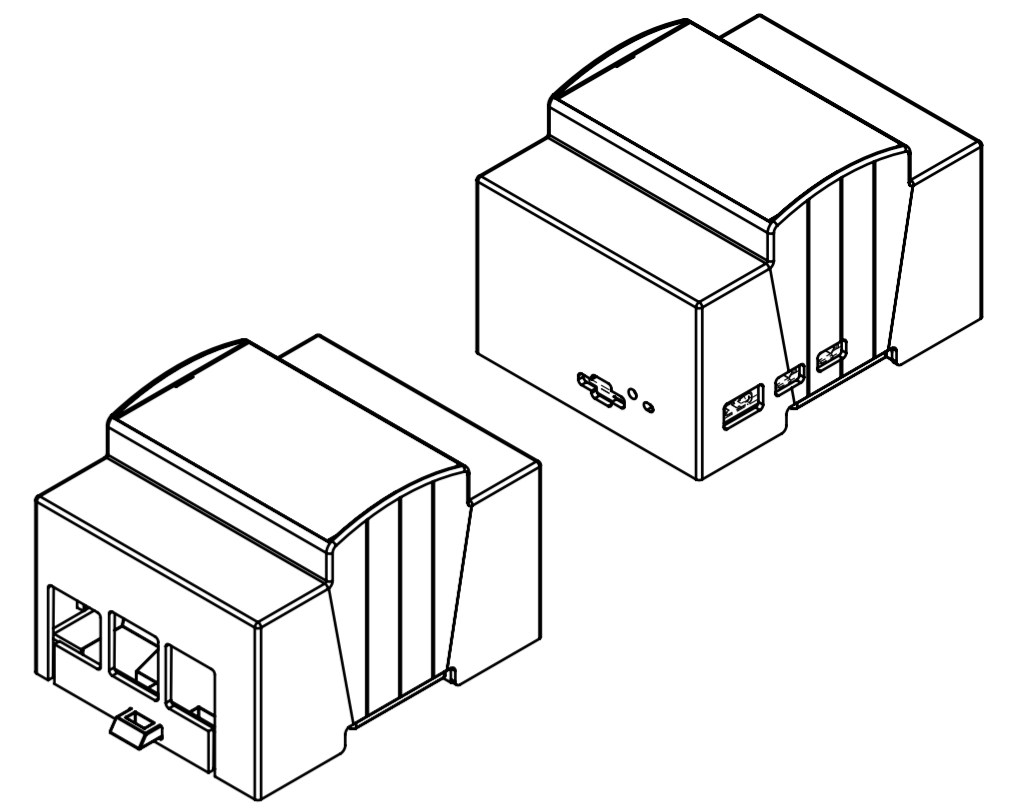
BODY ENCLOSURE



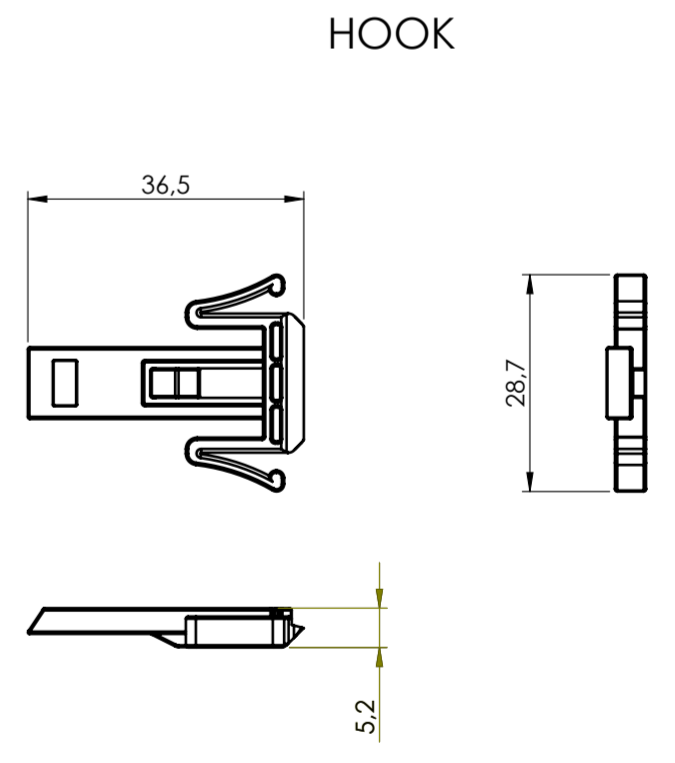
BASE



General information:
 - Workpiece zero point for mechanical processing
 - Minimum recommended radius for machining = R1.0 mm
 - Mounting rail like EN 60715: TH 35-7.5 or TH 35-15
 - Recommended PCB outline on www.italtronic.com




PANEL



HOOK

RIF.	Q.TY	DRAWING	DESCRIPTION
1	1	2_050_00025	BASE MODULBOX XT-XTS 4M
2	1	2_050_00050	BODY ENCLOSURE 4M53-C XTIS RASPBERRY PI5
3	1	2_250_00072	HOOK FOR MODULBOX XT-XTS
4	1	2_250_00088	PANEL MODULBOX WITHOUT FRAME 4M
5	2	8_100_00003	SCREW d 2.9 X 6.5 TC+ TRUNK-POINT

General Tolerance UNI EN 22768/1 Media (m)						Sheet:
from 0.5 to 3	from 3 to 6	from 6 to 30	from 30 to 120	from 120 to 400		1
± 0.1	± 0.1	± 0.2	± 0.3	± 0.5		
Scale:	Drawn:	Checked:	Date:	Material:	Process:	
1:1	M.S.	R.N.	25/10/2023			
Dimension in mm	Replaces the:		Derived from:	Weight:	Cod. Mold:	
	-		-	gr	-	


 Description:
 KIT 4M XTIS RASPBERRY PI5
 KIT 4M XTIS RASPBERRY PI5
 Drawing nr.:
3_050_00041