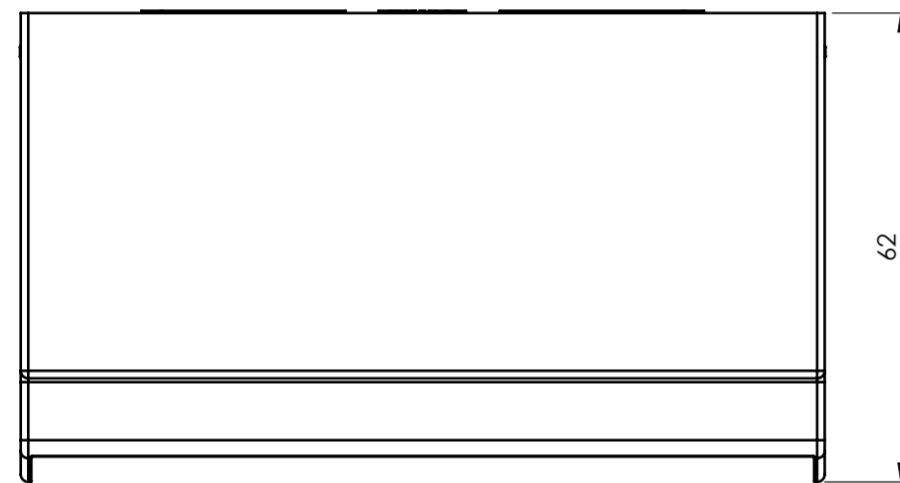
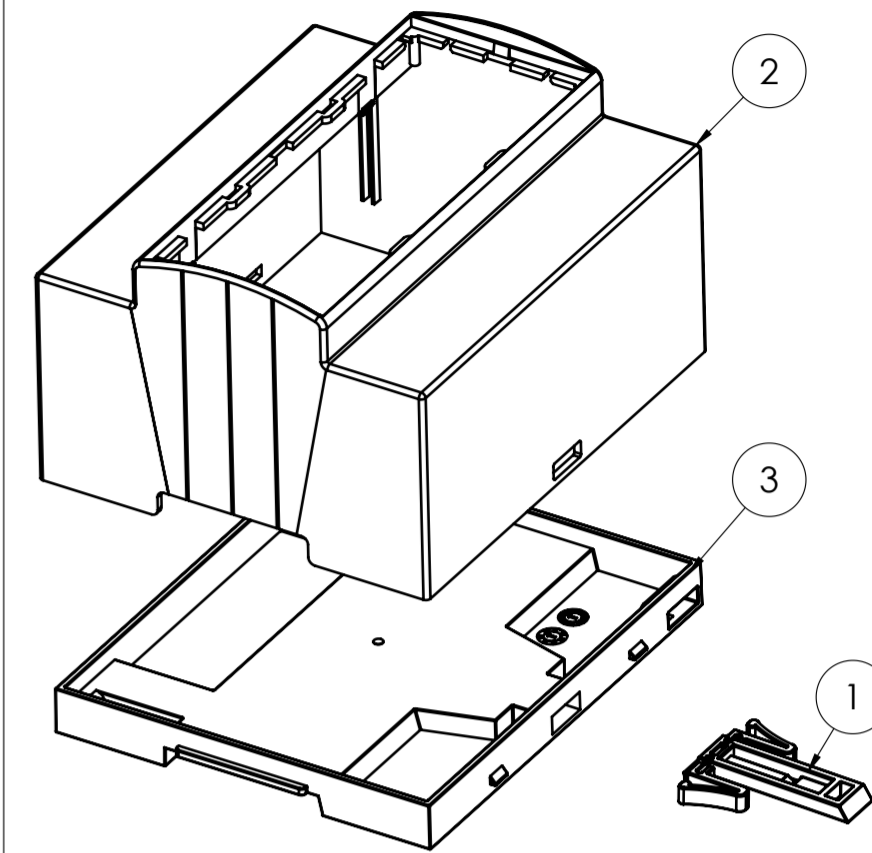
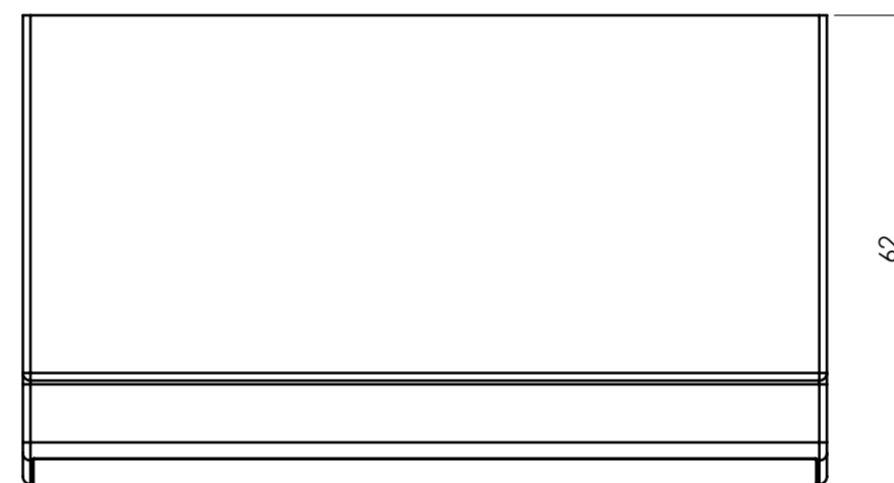
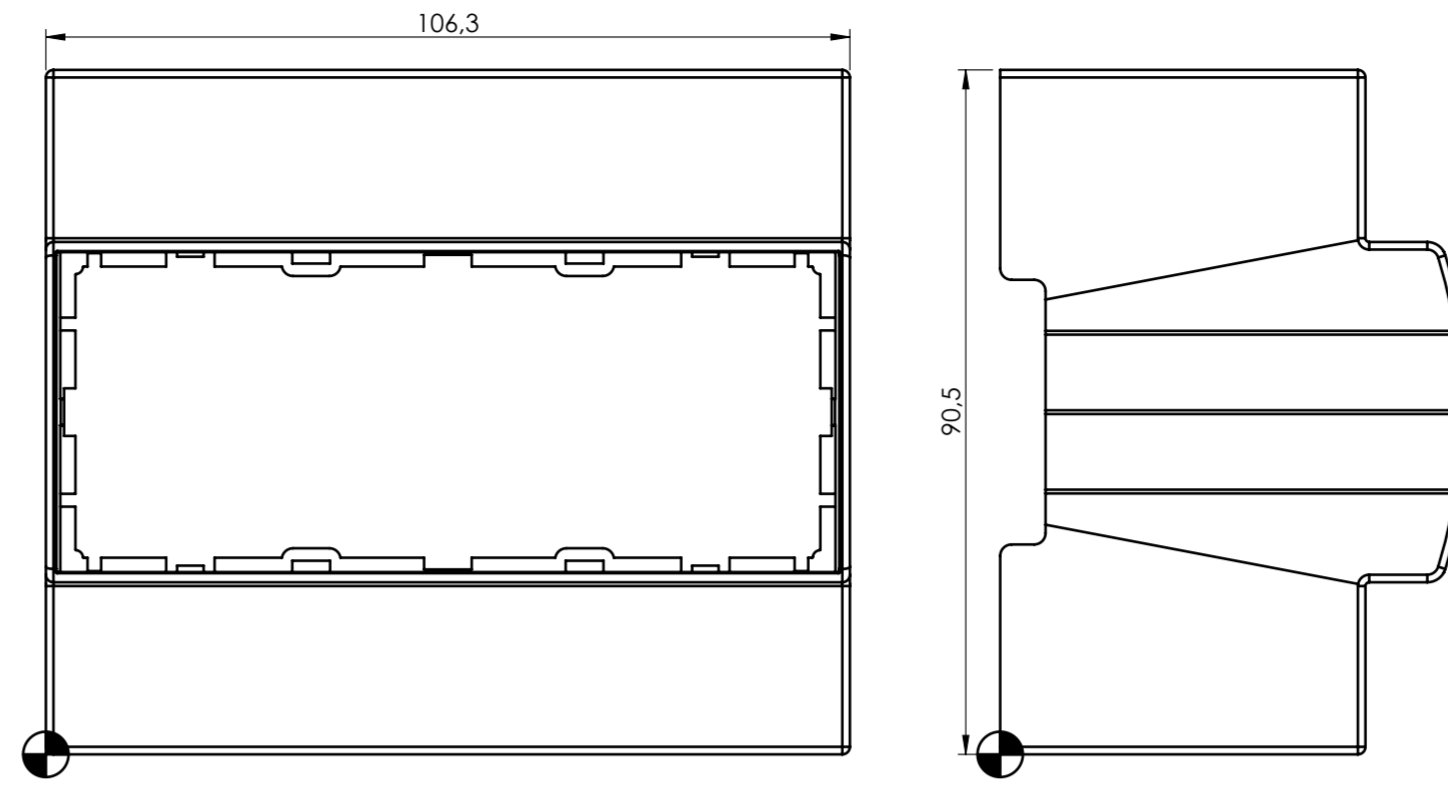


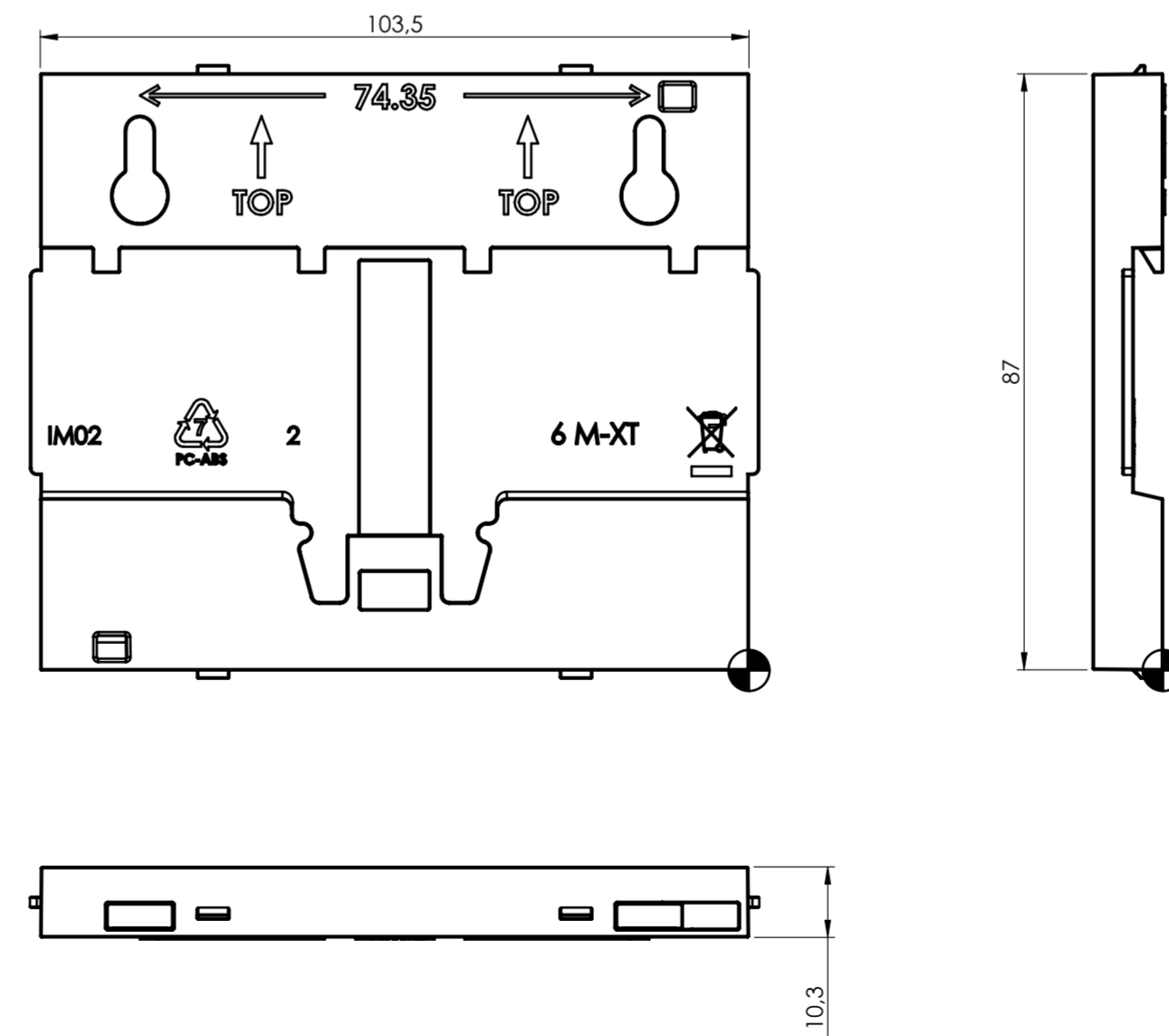
SECTION A-A



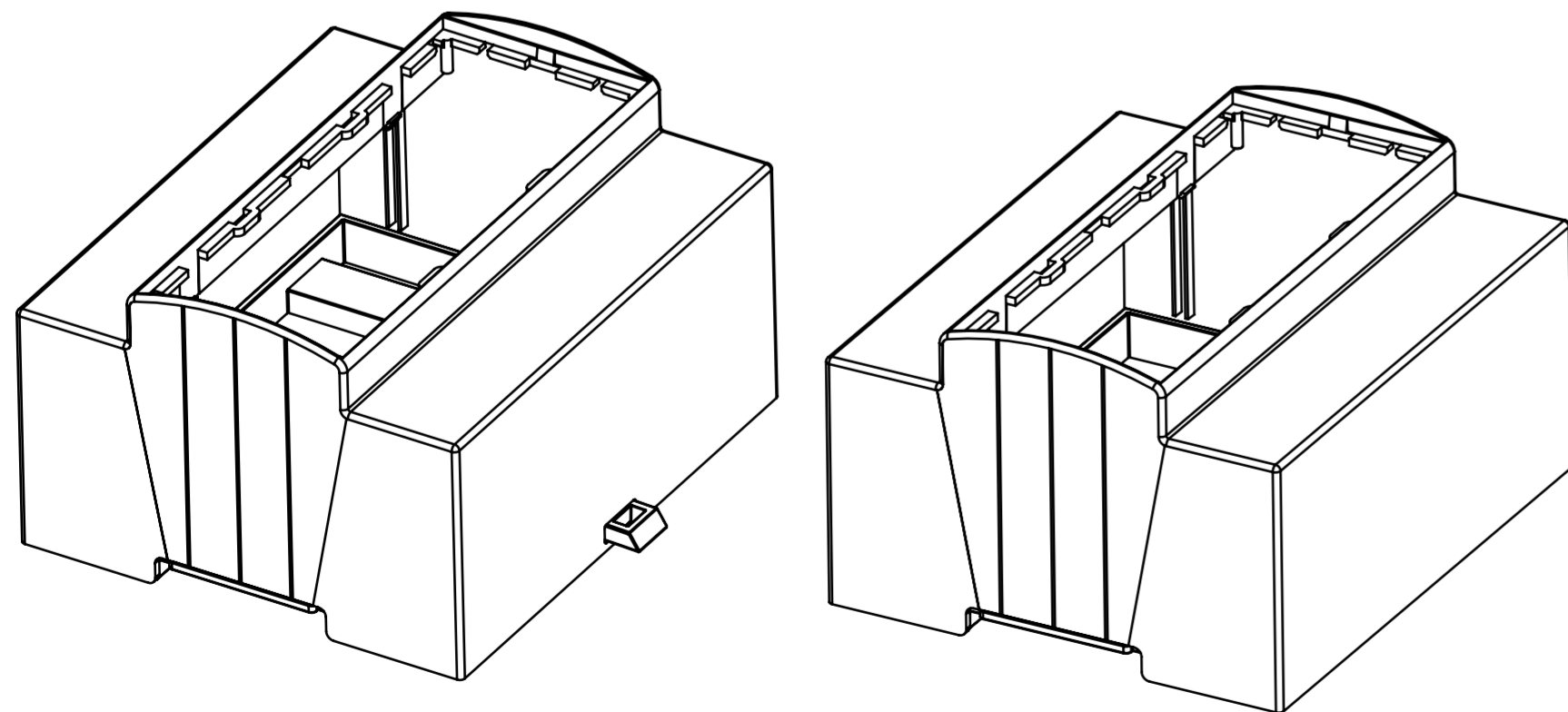
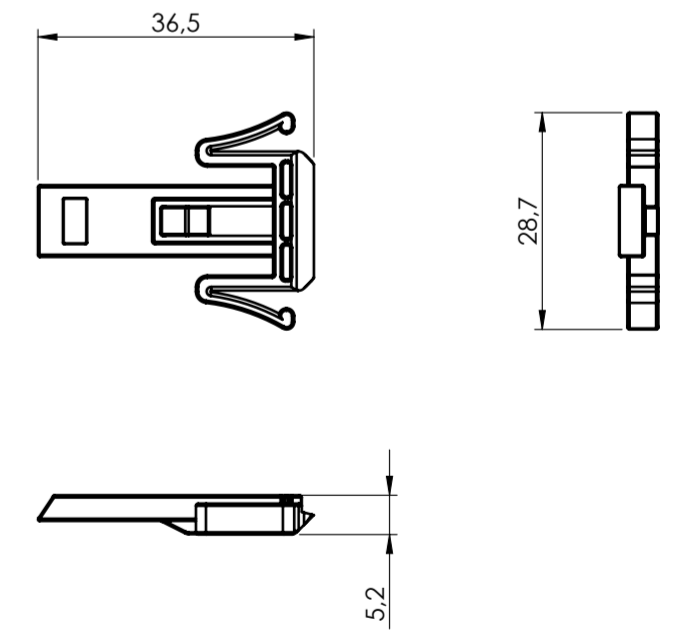
BODY ENCLOSURE



BASE



HOOK



General information:
 - Workpiece zero point for mechanical processing
 - Minimum recommended radius for machining = R1.0 mm
 - Mounting rail like EN 60715: TH 35-7.5 or TH 35-15
 - Recommended PCB outline on www.italtronic.com

RIF.	Q.TY	DRAWING	DESCRIPTION
1	1	2_250_00072	HOOK FOR MODULBOX XT-XTS
2	1	2_250_03624	BODY MODULBOX XTS 6M53-C
3	1	2_250_00137	BASE MODULBOX XT/XTS - 6M

General Tolerance UNI EN 22768/1 Media (m)

from 0.5 to 3 ± 0.1	from 3 to 6 ± 0.1	from 6 to 30 ± 0.2	from 30 to 120 ± 0.3	from 120 to 400 ± 0.5	Sheet: 1
------------------------	----------------------	-----------------------	-------------------------	--------------------------	-------------

Scale: 1:1

Drawn:	Checked:	Date:	Material:	Process:
		02/05/2023		

Derived from: R.N.

Weight: gr

Cod. Mold: --

Dimension in mm

italtronic
enclosures for electronics
italtronic.com

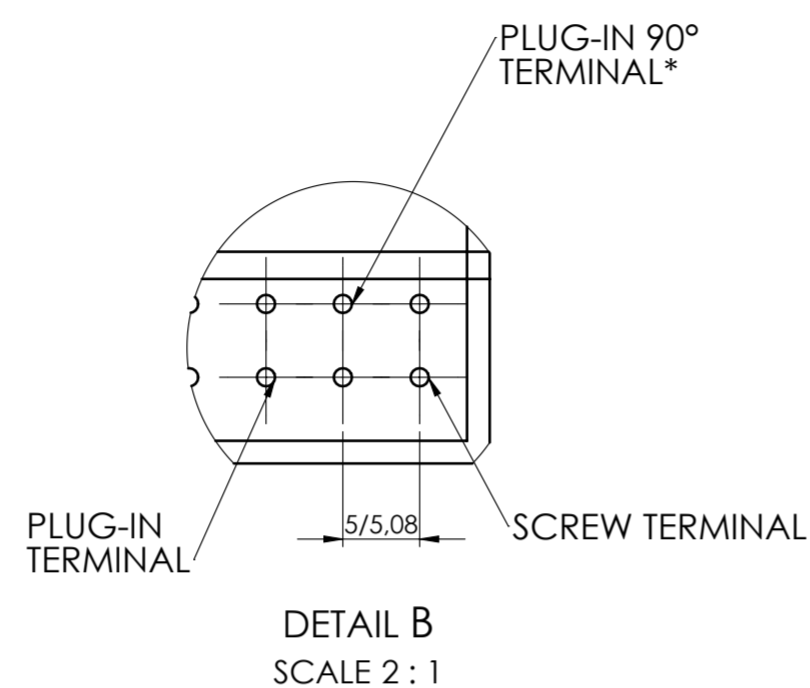
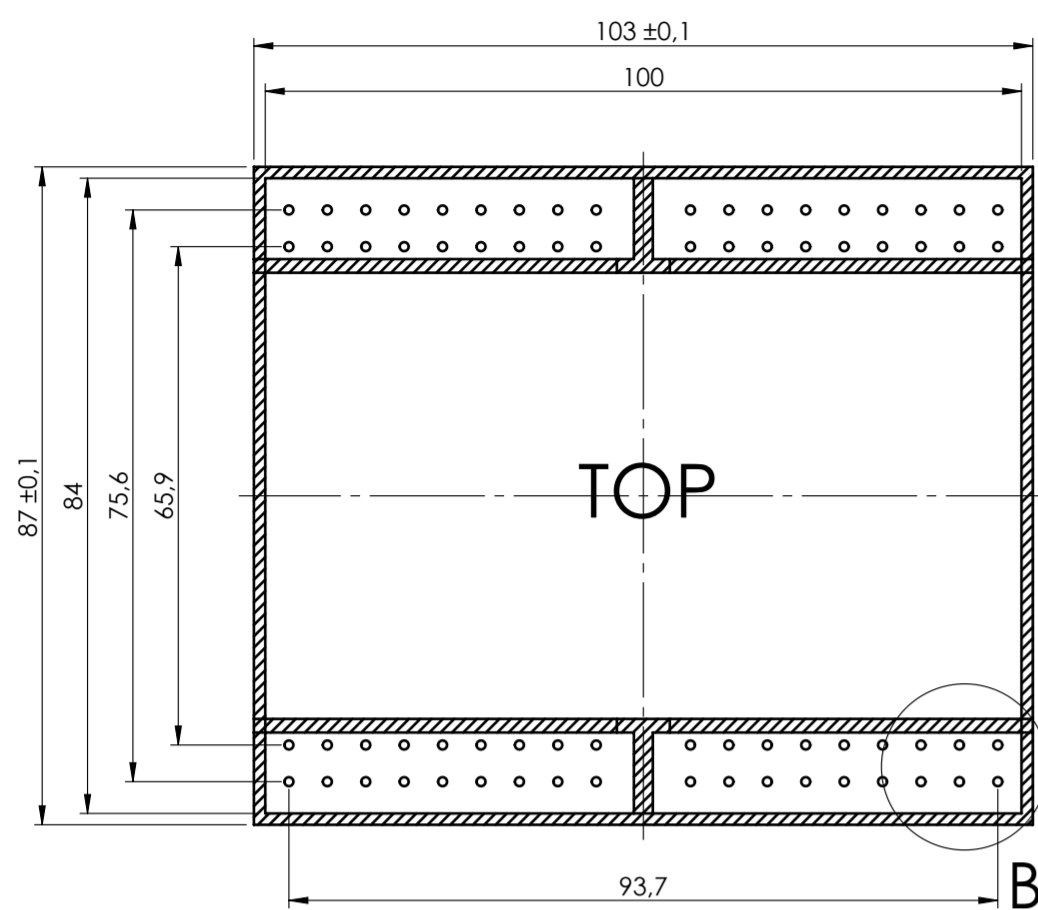
Description:
KIT CONTENITORE MODULBOX XTS 6M53-C
KIT ENCLOSURE MODULBOX XTS 6M53-C

Drawing nr.: **3_250_00092**

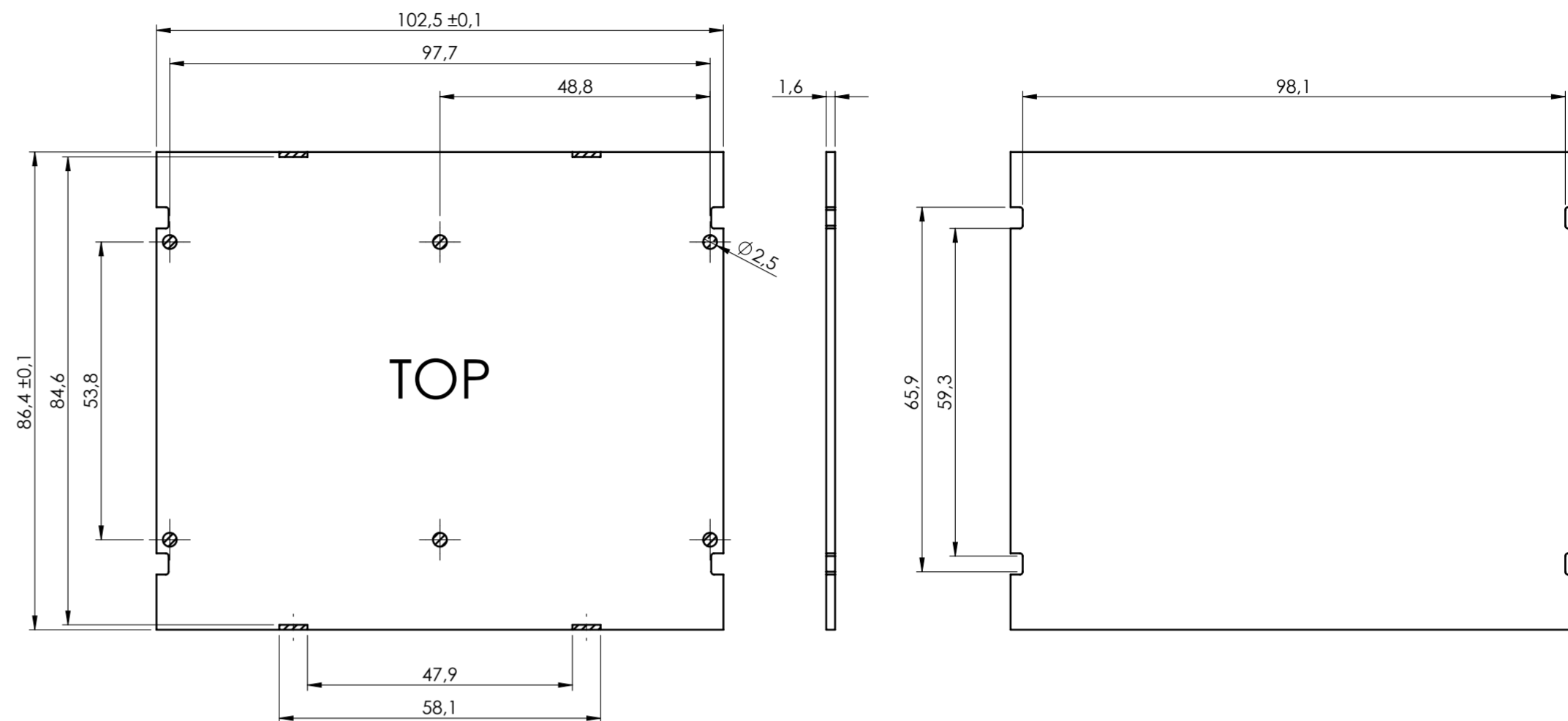
Rev.: 00 A2

PCB A

Max height of the terminal:
Modulbox XT/XTS: 18.5 mm
Modulbox ONE: 20 mm

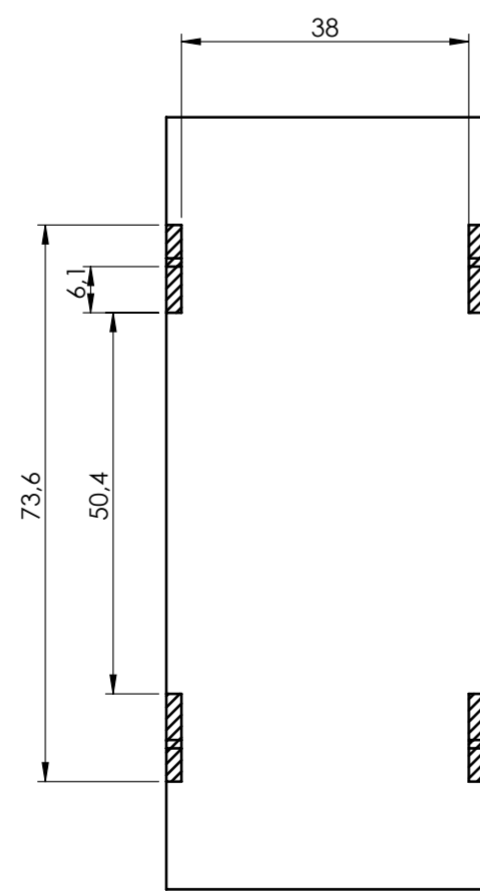
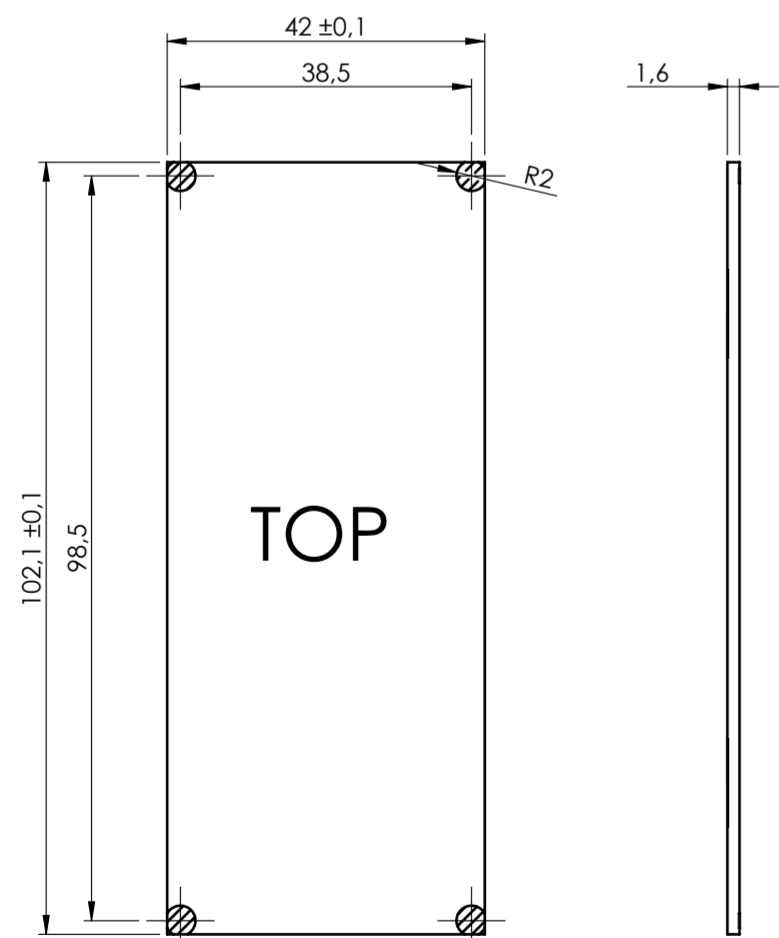


PCB B

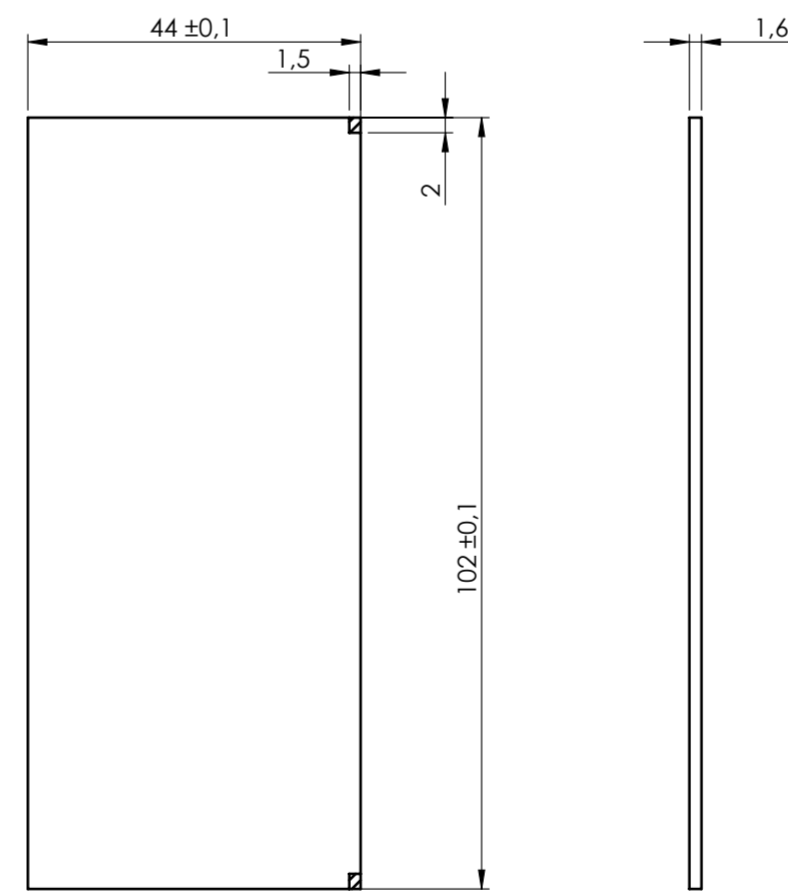


*To use the PLUG-IN terminals in Modulbox ONE use plug-in adapter P05000003E (5/5.08 pitch) and P05000004E (7.5/7.62 pitch)

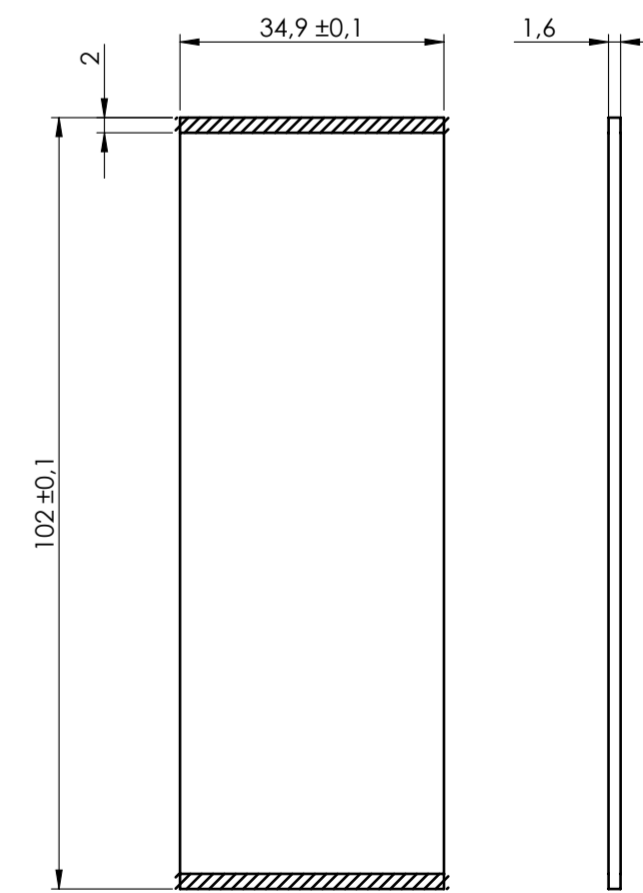
PCB C



PCB V2



PCB V1



General Tolerance UNI EN 22768/1 Media (m)					Sheet:
from 0.5 to 3 ± 0.1	from 3 to 6 ± 0.1	from 6 to 30 ± 0.2	from 30 to 120 ± 0.3	from 120 to 400 ± 0.5	PCB
Scale: 1:1	Drawn:	Checked: R.N.	Date: 02/05/2023	Material:	Process:
Dimension in mm		Derived from:	Weight: gr	Cod. Mold: --	
 enclosures for electronics italtronic.com		Description: KIT CONTENITORE MODULBOX XTS 6M53-C KIT ENCLOSURE MODULBOX XTS 6M53-C		Drawing nr.: 3_250_00092	
				Rev.: 00	A2

NO COMPONENTS AREA