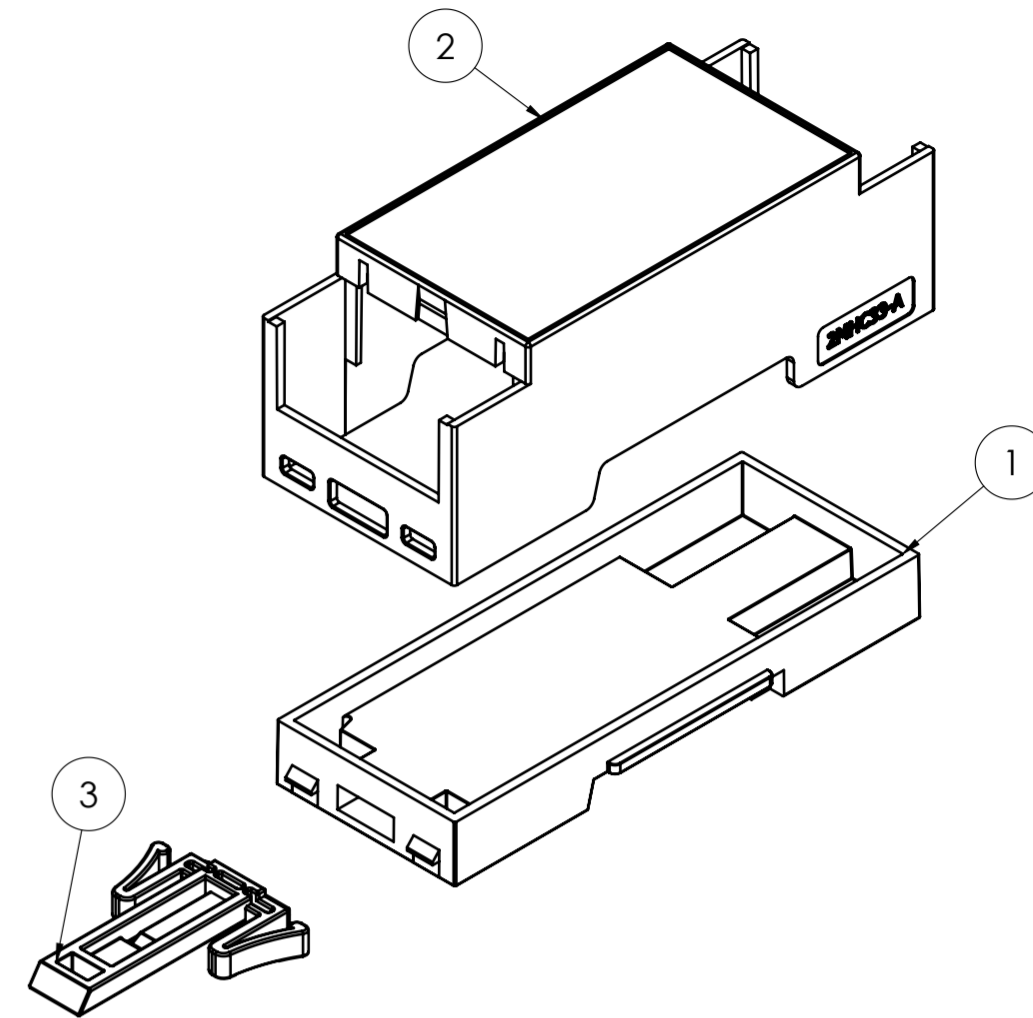
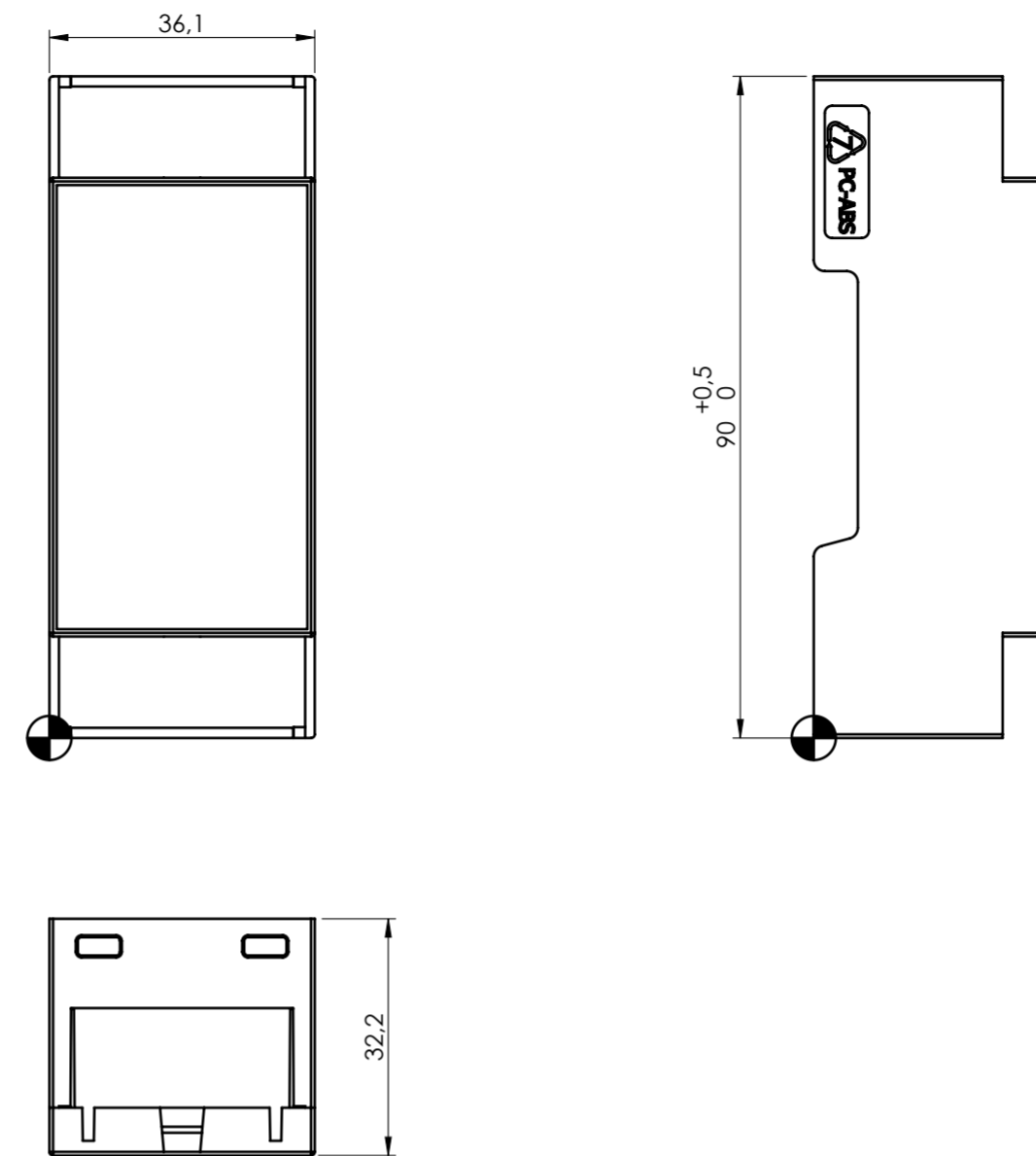
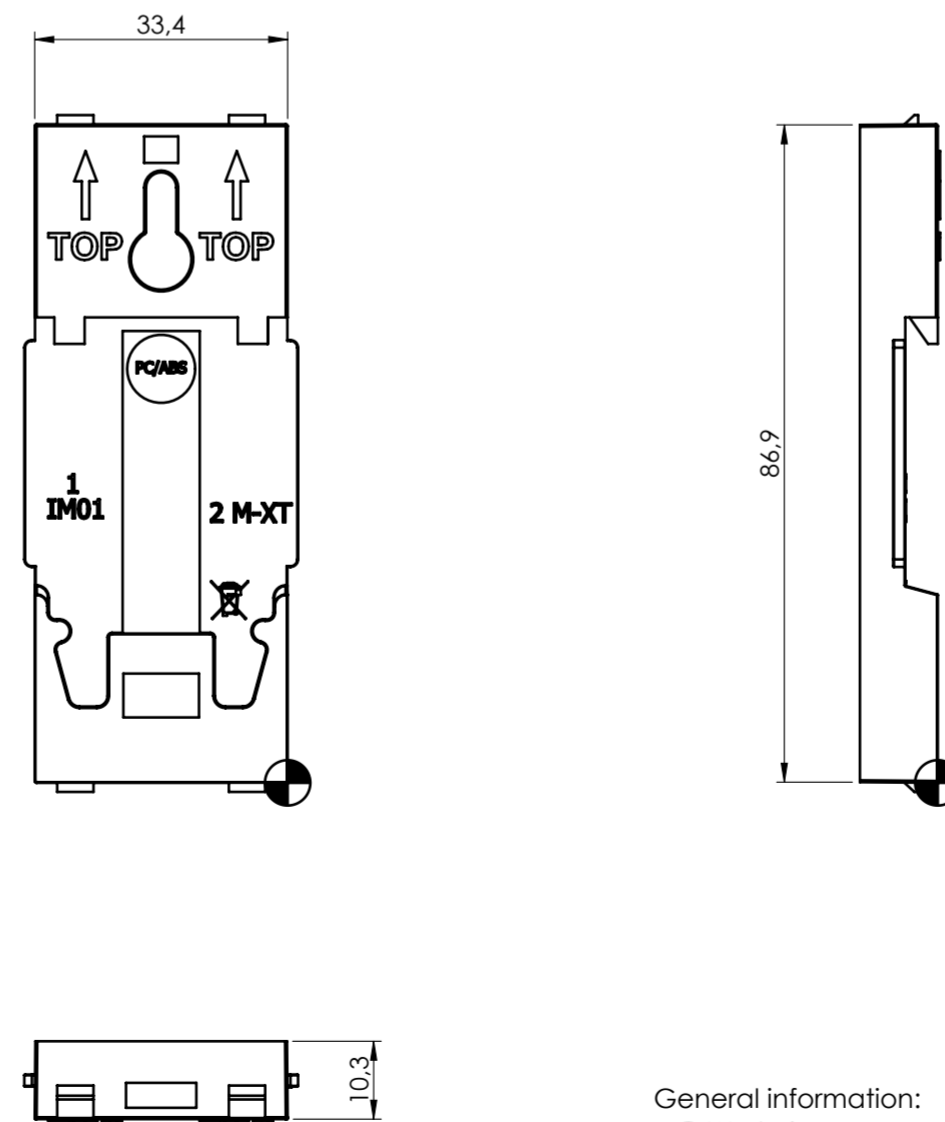


BODY ENCLOSURE

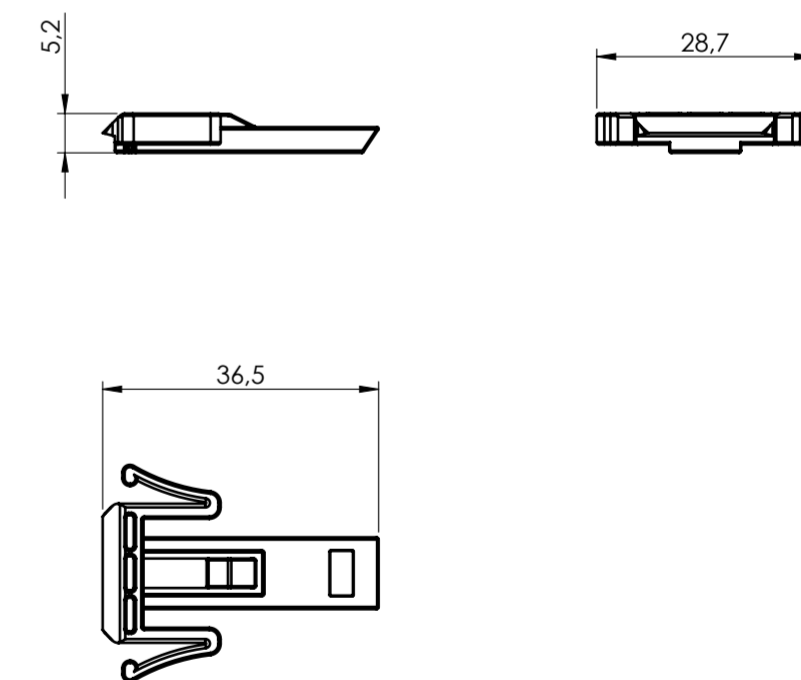


BASE



General information:
 - Workpiece zero point for mechanical processing
 - Minimum recommended radius for machining = R1.0 mm
 - Mounting rail like EN 60715: TH 35-7.5 or TH 35-15
 - Recommended PCB outline on www.italtronic.com
 - Medium thickness = 1.5 mm

HOOK



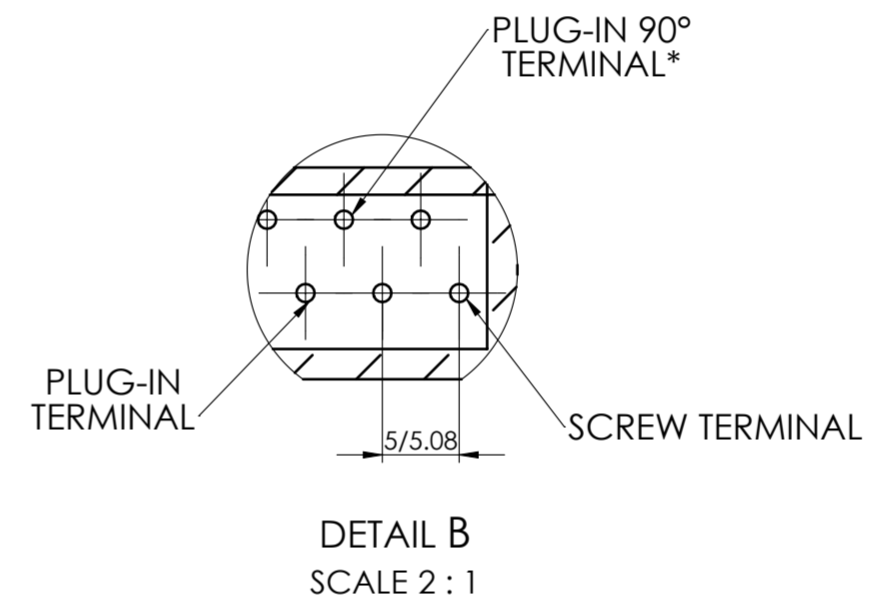
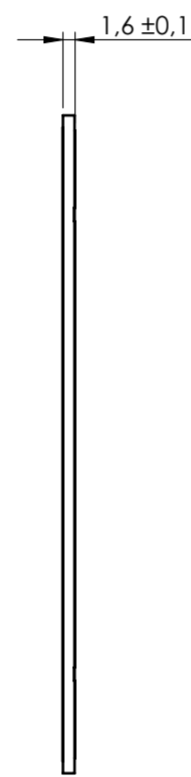
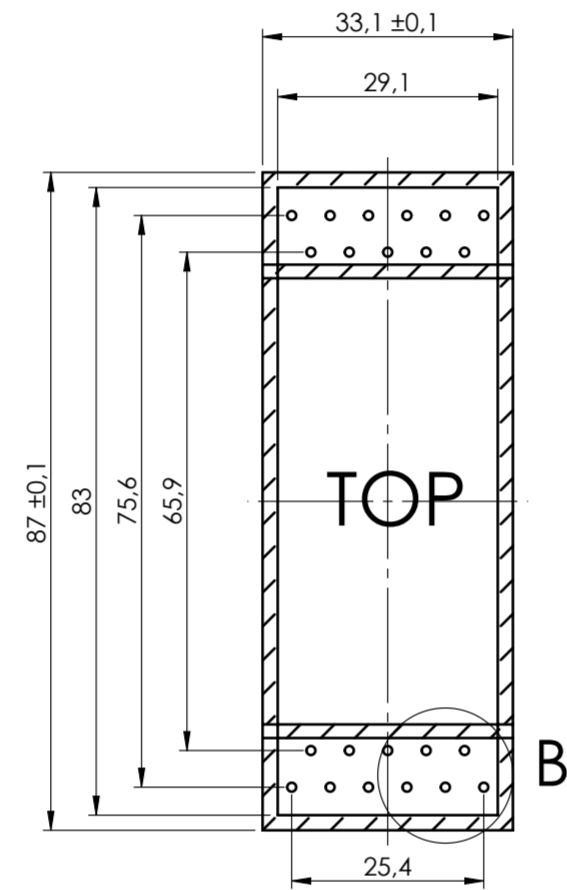
RIF.	Q.TY	DRAWING	DESCRIPTION
1	1	2_250_00139	BASE MODULBOX XT/XTS - 2M
2	1	2_250_00072	HOOK FOR MODULBOX XT-XTS
3	1	2_250_00001	BODY MODULBOX XTS 2MHC33-A CLOSED COMPACT


General Tolerance UNI EN 22768/1 Media (m)					Sheet:
from 0.5 to 3	from 3 to 6	from 6 to 30	from 30 to 120	from 120 to 400	1
± 0.1	± 0.1	± 0.2	± 0.3	± 0.5	
Scale:	IM:	Drawed:	Checked:	Date:	Material:
1:1	--	M.S.	R.N.	20/11/2023	Process:
Dimension in mm		Replaces the:	Derived from:	Weight:	Cod. Mold:
		M-05167-00	--	gr	--

 italtronic.com		Description: KIT CONTENITORE MODULBOX XTS COMPACT 2MHC33-A KIT ENCLOSURE MODULBOX XTS COMPACT 2MHC33-A Drawing nr.: 3_250_00004	Rev.: 00	A2
--------------------	--	--	--------------------	-----------

PCB A

Max height of the terminal:
Modulbox XT/XTS: 18.5 mm



General Tolerance UNI EN 22768/1 Media (m)					Sheet:
from 0.5 to 3 ± 0.1	from 3 to 6 ± 0.1	from 6 to 30 ± 0.2	from 30 to 120 ± 0.3	from 120 to 400 ± 0.5	PCB
Scale:	Drawn:	Checked:	Date:	Material:	Process:
1:1	M.S.	R.N.	20/11/2023		
Dimension in mm	Replaces the:		Derived from:	Weight:	Cod. Mold:
	M-05167-00		--	gr	--
 Description: KIT CONTENITORE MODULBOX XTS COMPACT 2MHC33-A KIT ENCLOSURE MODULBOX XTS COMPACT 2MHC33-A Drawing nr.: 3_250_00004					Rev.: 00 A2

 NO COMPONENTS AREA