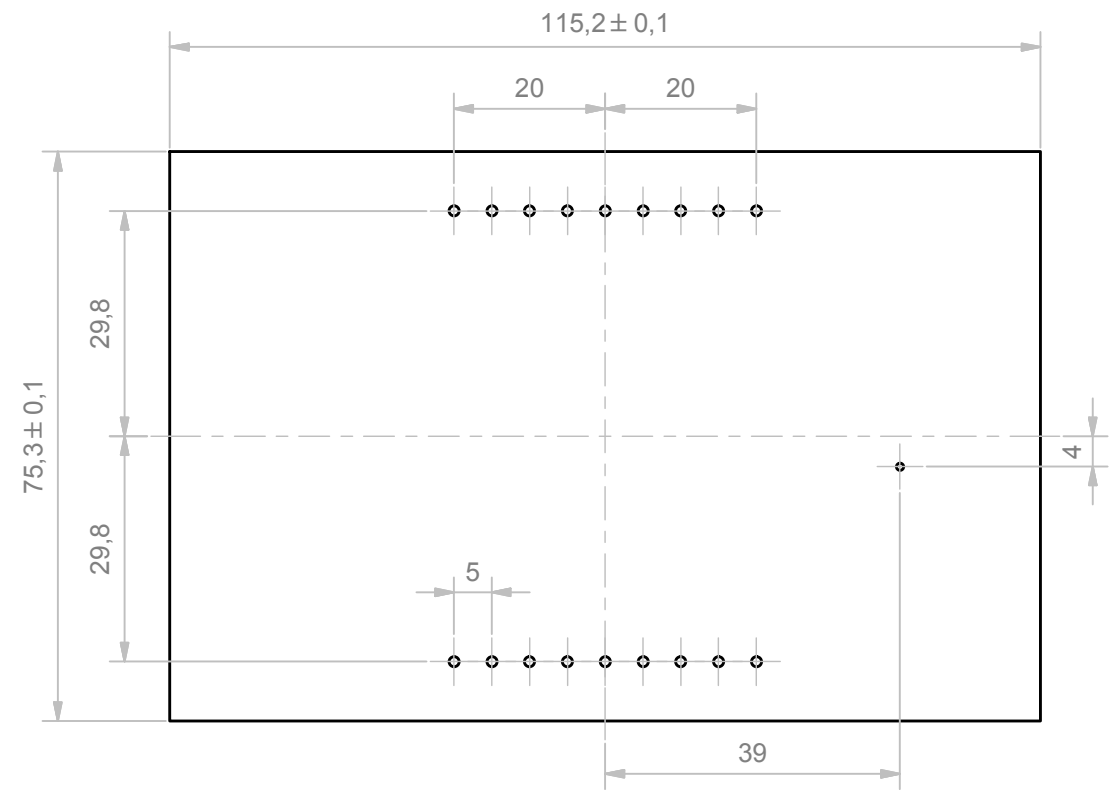
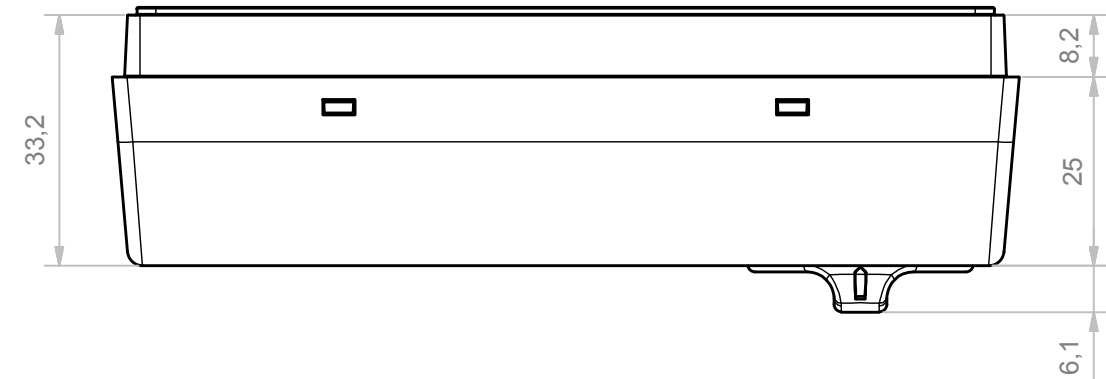
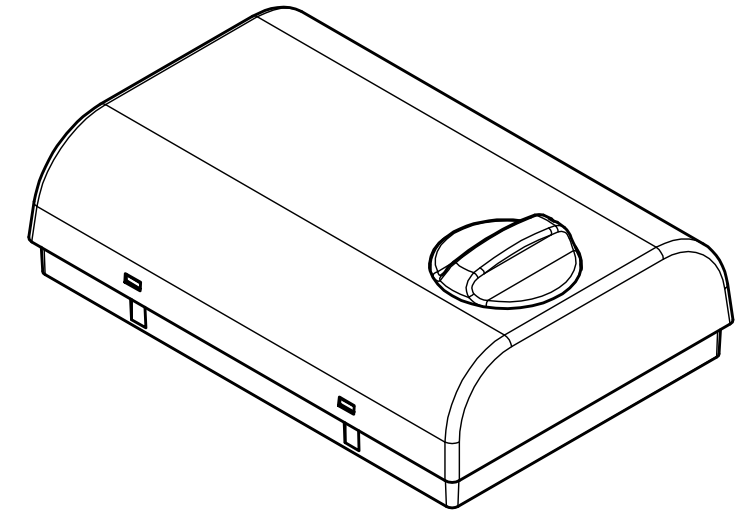
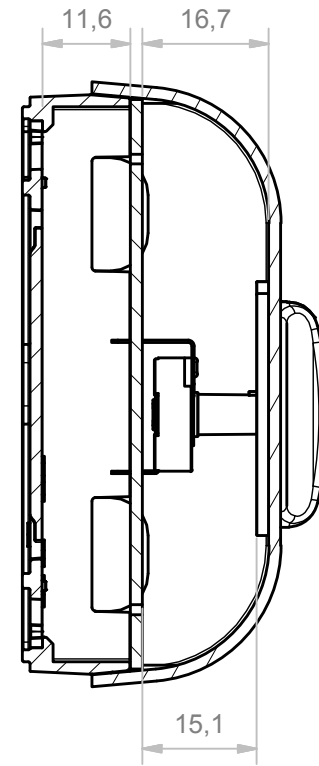


A-A (1:1)



| RIF. | Q.TY | DESCRIPTION | CODE |
|------|------|---|---------|
| 1 | 1 | BASE THERMO 120 CSF 18 | T-02538 |
| 2 | 1 | KNOB D30 MM | V-01382 |
| 3 | 1 | PIN THERMO | V-01384 |
| 4 | 1 | COVER THERMO 120 CLOSED WITH HOLES FOR KNOB D30 | |

RESERVED PROPERTY: The present drawing cannot be reproduced or communicated to 3d parties, even partially, without the authorization of ITALTRONIC Srl. Italtronic reserves to protect its own rights according to the law.

| | | | | |
|-------------------|---------------------------------|---|---------------------|----------------------|
| GENERAL TOLERANCE | UNI EN 22768/1 Media (m) | Drawn: | Checked: | Revision description |
| SHEET NR. | Dimension in mm | DRAWING BY | Rigato N. | Fanin F. |
| 1 / 1 | | Manual modification are not allowed | Date: 07/03/2017 | Replace nr. |
| | | | | Scale: 1 : 1 |
| | | | | Part number: |

Denomination: COMPLETE ENCLOSURE THERMO 120 CSF CLOSED WITH KNOB D30

-Plastic+
UN PARTNER PER IL FUTURO **Group**

ITALTRONIC S.R.L.
VIA AUSTRIA 25/D 35127
PADOVA - ITALY
www.italtronic.com

Drawing nr. **T-06832-00**

5 4 3 2 1