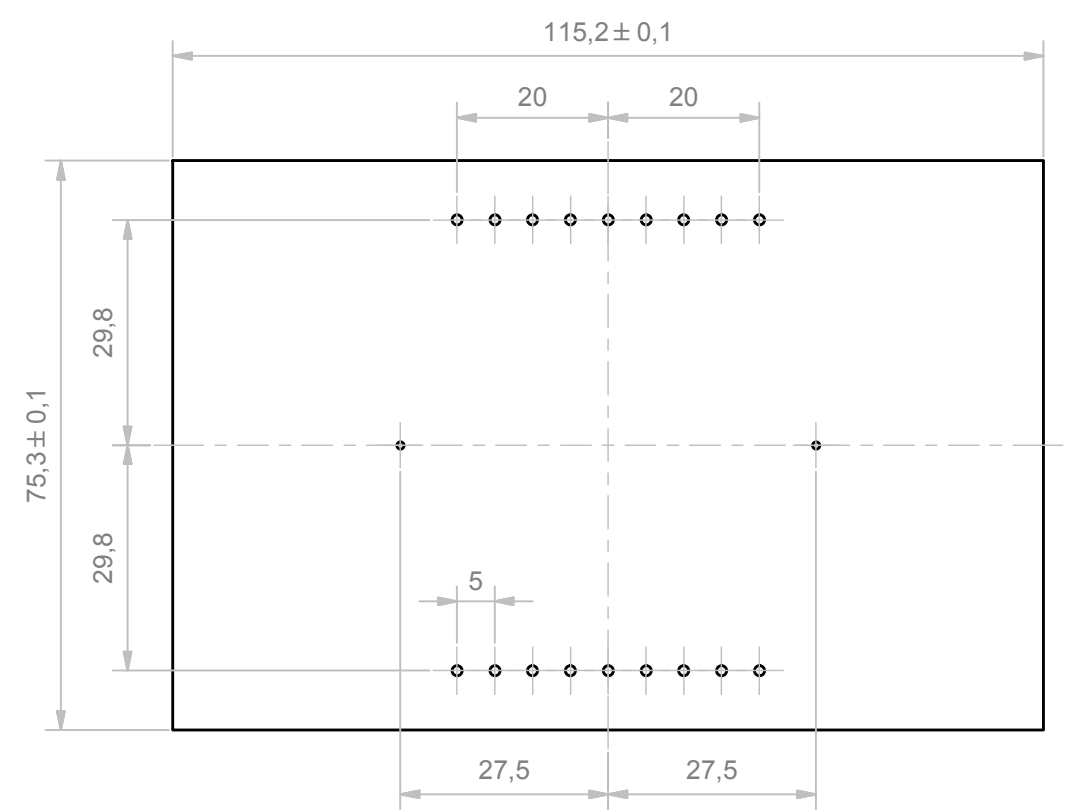
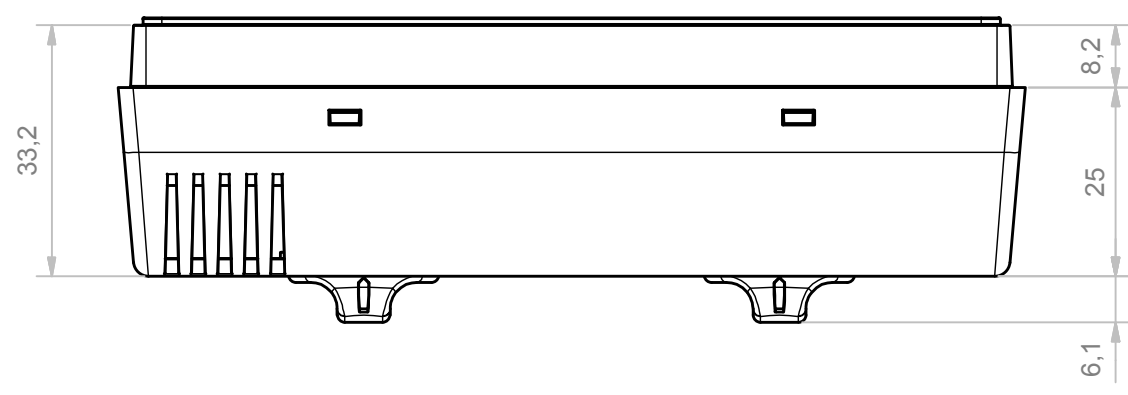
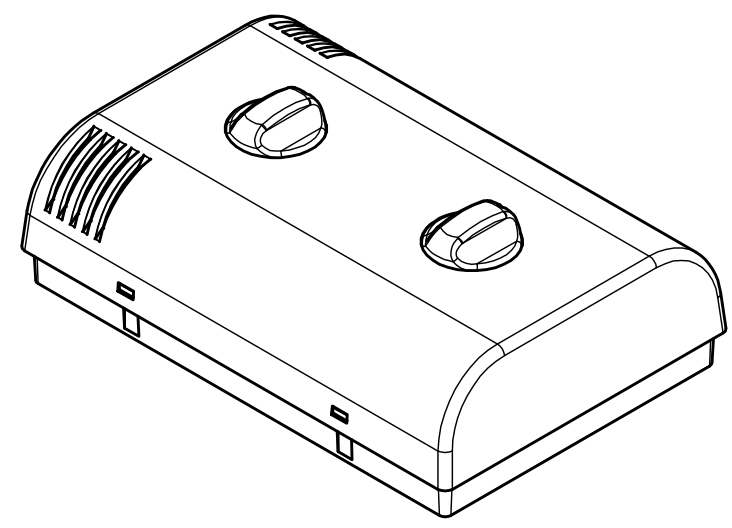
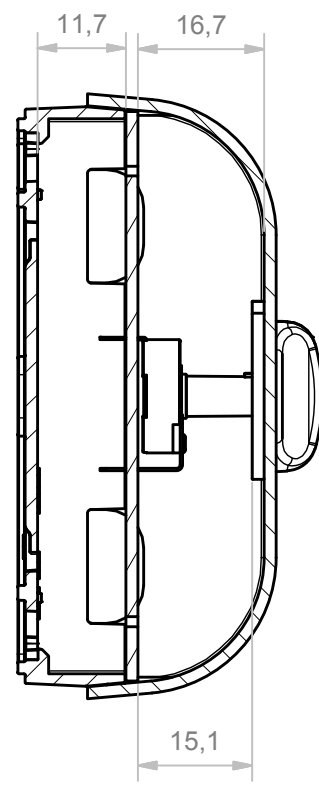
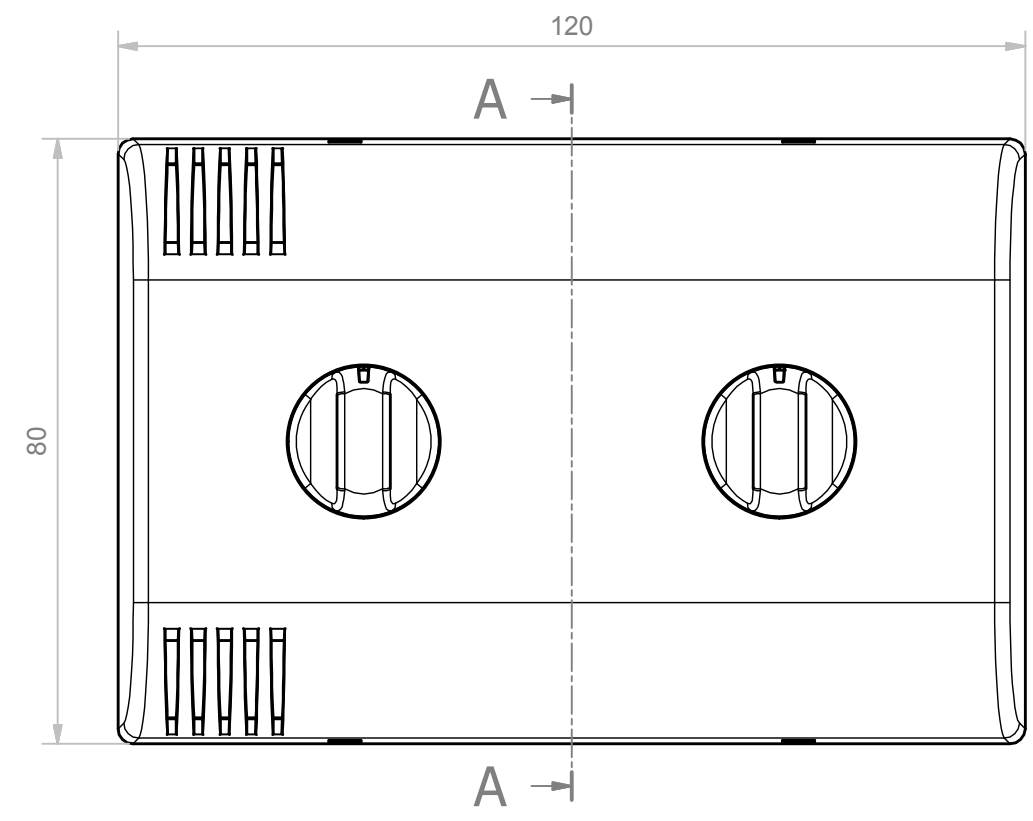


A-A (1:1)



RIF.	Q.TY	DESCRIPTION	CODE
1	1	BASE THERMO 120 CSF 18	T-02538
2	2	PIN THERMO	V-01384
3	2	KNOB D20 MM H-STD	V-01385
4	1	COVER THERMO 120 WITH 2 HOLES FOR KNOB D20	

RESERVED PROPERTY: The present drawing cannot be reproduced or communicated to 3rd parties, even partially, without the authorization of ITALTRONIC Srl. Italtronic reserves to protect its own rights according to the law.					5	4	3	2	1
GENERAL TOLERANCE	UNI EN 22768/1 Media (m)		Drawn:	Checked:	Revision description				
SHEET NR.	Dimension in mm	DRAWING BY	Rigato N.	Fanin F.	Scale: 1 : 1				
1 / 1			Date: 07/03/2017	Replace nr.	Part number:				

	Denomination:	
	COMPLETE ENCLOSURE THERMO 120 CSF WITH 2 KNOBS D20	
	ITALTRONIC S.R.L. VIA AUSTRIA 25/D 35127 PADOVA - ITALY	Drawing nr. T-06835-00