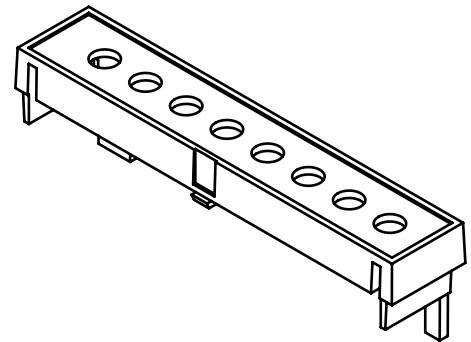
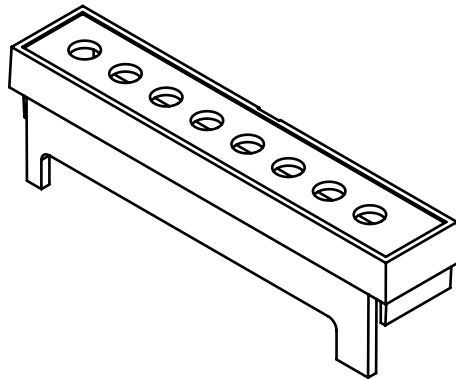


SECTION A-A



General Tolerance UNI EN 22768/1 Media (m)					Sheet:	
from 0.5 to 3 ± 0.1	from 3 to 6 ± 0.1	from 6 to 30 ± 0.2	from 30 to 120 ± 0.3	from 120 to 400 ± 0.5	1	
Scale: 1:1	Drawn: M.S.	Checked: R.N.	Date: 12/06/2023	Material: PC/ABS	Process: INJECTION	
Dimension in mm				Weight: 3.90 gr	Cod. Mold: ST.05CV000	
 <small>The present drawing cannot be reproduced or communicated to 3rd parties, even partially, without the authorization of ITALTRONIC Srl. Italtronic reserves the right to protect its own rights according to the law.</small>				Derived from: --		
italtronic enclosures for electronics italtronic.com						
Description: COPRIMORSETTO PREFORATO PASSO 7,65 8 VIE 4MP7,5 TERMINAL COVER MODULBOX PRE-HOLED 4MP7,5 PITCH 7,65 8 POLES						
Drawing nr.: 2_250_03732					Rev.: 00 A4	

General information:

- Workpiece zero point for mechanical processing
- Minimum recommended radius for machining = R1.0 mm